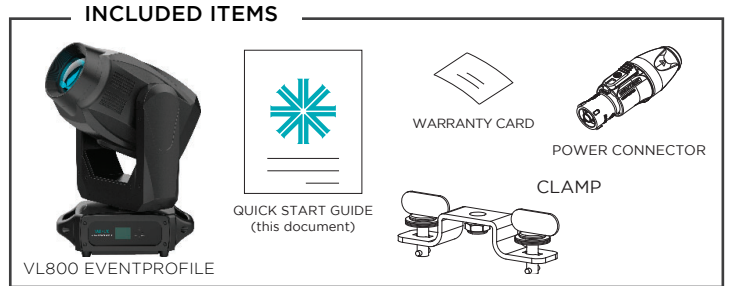


VL800 EVENTPROFILE

This document provides basic setup instructions and safety warnings for the following product(s):

| | |
|-------------|--------------------|
| 91200545005 | VL800 EVENTPROFILE |
|-------------|--------------------|



POWER AND DATA

CONNECTING POWER

The luminaire requires standard AC power distribution from 100-240 VAC, 50/60 Hz. Current required depends on the AC supply voltage and product model.

NOTE: The mating power connector is supplied; however, you will need to purchase or construct a cable appropriate for your application.

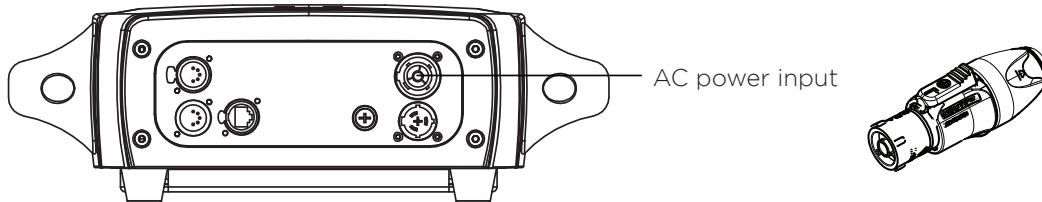


FIGURE 1. POWER CONNECTOR

Depending on the application, the luminaire's AC input cable may require a different connector. If required, install a new connector meeting your requirements using the included wire color code reference.

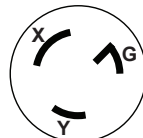
| WIRE* | CONNECTION |
|----------------|----------------|
| green / yellow | Ground (earth) |
| blue | AC neutral |
| brown | AC line |

*International (harmonized) standard

WARNING! DO NOT connect to three-phase service in countries with 240 volt power.

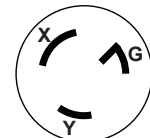
For single-phase power at 240V RMS:

| CONNECTION | PIN |
|----------------|-----|
| AC neutral | X |
| AC line | Y |
| Ground (earth) | G |



For three-phase power at 200V RMS:

| CONNECTION | PIN |
|----------------|-----|
| Phase 1 | X |
| Phase 2 | Y |
| Ground (earth) | G |



WARNING! Do not power any Vari-Lite luminaire from a dimmer - even in 'NONDIM' mode. Dimmer and non-dim modules are not suitable sources of power because their output modifies the AC wave form. This may work for a short time, but will eventually result in power problems, luminaire error and/or failure and may void the luminaire's warranty.

CURRENT VS. VOLTAGE

TABLE 1 provides the luminaire's current draw at specific voltages. Total Luminaire Current is calculated with the LED on and all motors sequencing.

WARNING! It is the responsibility of the user to adequately protect supply source with a correct size and type circuit breaker and not overload circuits.

TABLE 1. CURRENT VS. VOLTAGE (1X300W LED)

| AC VOLTAGE AT 60HZ | TOTAL LUMINAIRE CURRENT (MOTOR + LED CURRENT) |
|--------------------|---|
| 100V | 5.63A |
| 110V | 5.08A |
| 120V | 4.61A |
| 130V | 4.26A |
| 200V | 2.72A |
| 210V | 2.60A |
| 220V | 2.48A |
| 230V | 2.38A |
| 240V | 2.28A |

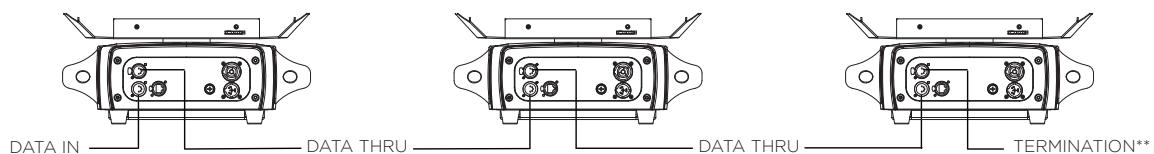
CONNECTING DATA

A maximum of 32 luminaires may be connected in any one DMX data link.

NOTE: This maximum limit applies to the luminaire "daisy chain" only. Your system or console may require fewer luminaires on a single data link path. Consult your console documentation for more information.

To connect power and data:

- Step 1. Connect data cable from console to first luminaire in chain at DATA IN connector.
- Step 2. If required, connect additional data cables from DATA THRU connectors to DATA IN
- Step 3. At last luminaire in link, install male termination connector at DATA THRU connector. (Luminaires and other devices on the same DMX chain may not function properly without termination)



**DMX terminator required for last fixture on DMX line

FIGURE 2. DATA LINK

- Step 4. Connect AC Input Cable connector to power input source.
- Step 5. Dress AC input and data cables and secure them so that they will not interfere with luminaire head and yoke movement.

INSTALLATION

FLOOR MOUNTING THE LUMINAIRE

This luminaire included in this manual are designed to sit directly in a floor installation application. When used in this type of application, be sure to leave enough space around the luminaire to allow proper, uninterrupted airflow for cooling and movement.

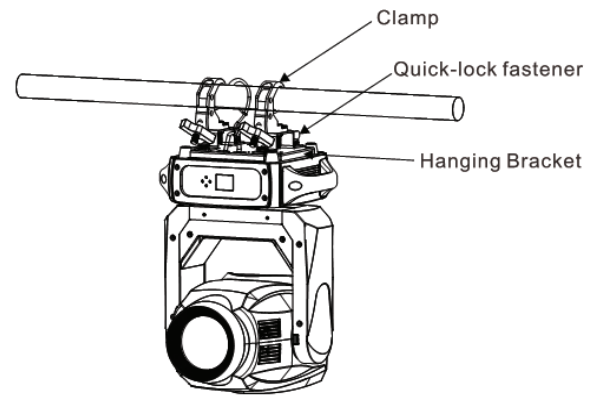
HANGING THE LUMINAIRE

The VL800 EVENTPROFILE Luminaire can be hung horizontally or vertically from any structure designed to work with the type of load created. Clamp and Quick lock fastener or other mounting hardware are required. Many compatible truss hooks are available from different manufacturers for your particular needs.

One Quick-lock fastener per luminaire is required. If mounting method does not use truss hooks, two attachment points per luminaire, are required. Always ensure the diameter of safety cable is at least 4 mm, which can support at least 12 times the weight of the unit.

To install mounting hardware and brackets:

Step 1. Bolt each clamp to the Omega holder with screw and lock nut through the hole in the holder as shown in **FIGURE 3**.



NOTE: Various types of truss hooks can be used. The Clamp (as shown) as well as many other standard hooks, can be ordered separately.

Step 2. Faster the omega holders on the bottom of the base by inserting quick-lock fasteners into the holes of the base and tighten fully clockwise.

Step 3. Hang the fixture to the support through clamp and faster the screws, faster the safety cable through the bottom of the base and over the support.

WARNING! Ensure that the bracket locking mechanism is fully seated after the bracket is installed on the luminaire.

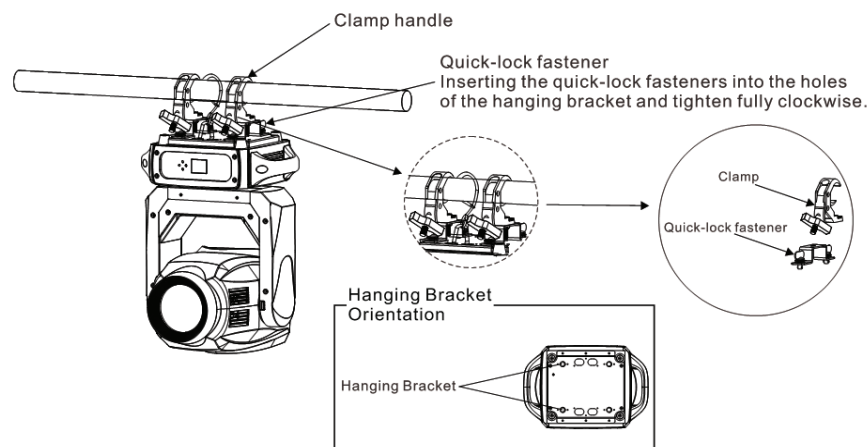


FIGURE 3. INSTALLING BRACKETS ON LUMINAIRE ENCLOSURE

To install luminaire in truss:

Step 1. Lift luminaire into mounting position.

Step 2. Secure in place with clamp handle. Ensure clamp handle hardware that Quick-lock fastener hook in place (eg. wing bolt) is properly tightened and that luminaire is fully supported.

Step 3. Attach safety cable (as required) as follows (refer to **FIGURE 4**):

- a. Loop safety cable at least once around safety cable anchor point rod.
- b. Loop safety cable at least once around truss/pipe and secure around pipe.



SAFETY CABLE: Recommended for hanging installations. May be required by local codes. Safety cable sold separately.

NOTE: Truss hooks shown are sold separately. Truss and pipe by others.

Step 4. Make sure hanger is disengaged so luminaire moves freely.

Step 5. Connect power and data cables.

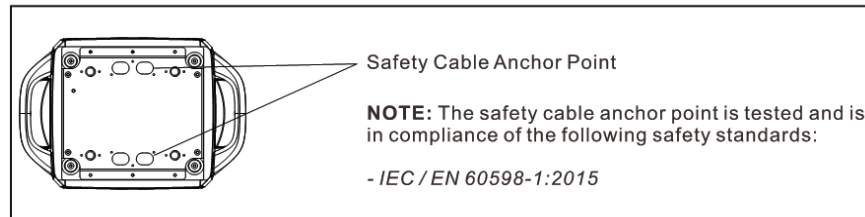
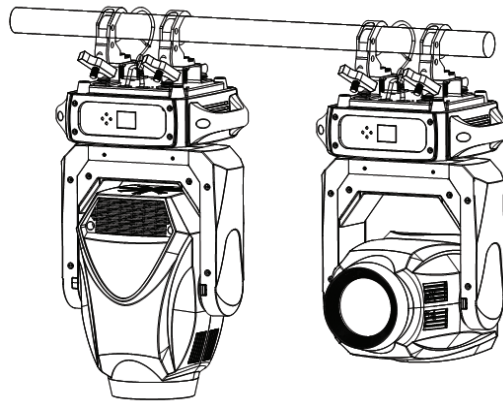


FIGURE 4. SAFETY ANCHOR

When hanging the luminaire in a side hang position, natural convection and the designed direction of the inlet and exhaust cooling fans dictate that the inlet should be closest to the floor and the exhaust should be towards the ceiling. This eliminates the possibility of one luminaire blowing exhaust air into the inlet of the luminaire next to it when the luminaires are side-by-side.

If the luminaires are stacked on top of one another in a side hang, a 45° enclosure orientation with the fan inlet closest to the floor.

MENU OPERATION

LCD DISPLAY AND MENU SYSTEM

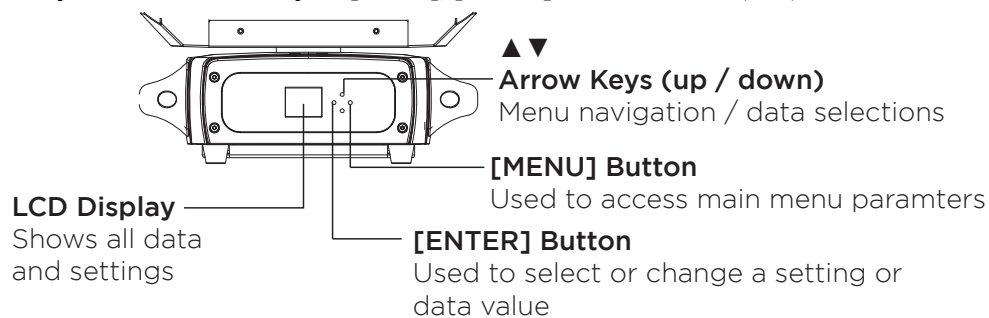
The VL800 Eventprofile Luminaire's LCD Display and Menu System provide local control for accessing the following fixture's settings:

- Address - to set the DMX address
- Configure - various parameter settings, set LED, movement, display, reset defaults
- DMX - change the map, set address,
- Fixture - fixture status, ReCal, reboot, software version, view fixtures hours, crossload, service
- Test - to test functions of parameters
- Manual Preset - to set the intensity, all functions

The menu system is controlled at the Menu Display available at the enclosure input panel. If there are multiple luminaires in a system, any settings or changes would need to be made at each LCD Menu as desired.

MENU CONTROLS

The menu system is controlled by an [MENU], [ENTER] and two Arrow (▲▼) buttons.



MENU OPERATION

The LCD Display Menu system consists of several categories. Use the Menu Buttons to access and make changes to the menu items. When the desired menu item is reached, press the desired Menu Button to display the menu options and to navigate and configure the menu options as required.

To navigate and access menu setting/selections:

- Step 1. Make sure unit is powered and turned on.
- Step 2. Press [MENU] to access menu categories.
- Step 3. Use two Arrow (▲▼) buttons to navigate through the various options and settings.
- Step 4. Once menu item is reached, press [ENTER] to access the menu item parameters.
- Step 5. Make changes to parameters as desired.
- Step 6. Press [ENTER] button to accept changes.

DMX ADDRESS

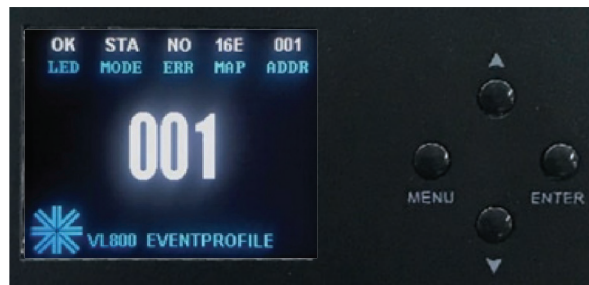
To set, edit, and save a DMX address:

- Step 1. Press [MENU].
- Step 2. Press [Up] / [Down] (▲▼) arrows until Address (DMX Address) appears. Press [Enter].
- Step 3. Use [Up] / [Down] (▲▼) arrow buttons to select the desired digit.
- Step 4. Once all digits are set in DMX address, press [Enter] to set.
- Step 5. DMX will display and is saved.

STATUS BAR

The Status Bar is present at all times and displays luminaire operational information of the luminaire. The Status Bar contains the following information:

- LED – indicates current LED state - ON or OFF.
- MODE – indicates current mode, standard, studio or whisper mode.
- ERR – Displays a number indicating the total amount of current errors can cycle through short text descriptions of each error. Example: “Fan” or “LED”. When errors are present, messages will appear in red text. When no errors are present, NO will display.
- MAP – indicates 16-bit Enhanced, 16-bit or clone mode
- ADDR – Displays the current DMX address for the fixture.



NOTE: When the fixture does not detect a DMX input signal, the DMX address text displays in red text.

TABLE 2. QUICK REFERENCE MENU KEY SHORTCUTS

| MENU KEY SHORTCUTS | FUNCTION |
|---------------------------------------|------------------------|
| Holding Menu at Power up | Bypass Calibration |
| Menu + Up (▲) | ReCal All |
| Menu + Down (▼) | Pan / Tilt Deactivated |
| Menu + Enter | Factory Defaults |
| Enter + Up (▲) | Lamp On |
| Enter + Down (▼) | Lamp Off |
| Up (▲) + Down (▼) | Display FLIP |
| Enter + Up (▲) + Down (▼) at Power up | Reset Timers Shortcut |

QUICK REFERENCE DMX MAP

| DMX | 16-BIT ENHANCED | 16-BIT | CLONE MODE |
|-----|-----------------------|-----------------------|-----------------------|
| 1 | Intensity High | Intensity High | Intensity High |
| 2 | Intensity Low | Intensity Low | Intensity Low |
| 3 | Pan High | Pan High | Pan High |
| 4 | Pan Low | Pan Low | Pan Low |
| 5 | Tilt High | Tilt High | Tilt High |
| 6 | Tilt Low | Tilt Low | Tilt Low |
| 7 | Focus High | Focus High | Focus High |
| 8 | Focus Low | Focus Low | Focus Low |
| 9 | Zoom High | Zoom High | Zoom High |
| 10 | Cyan | Cyan | Cyan |
| 11 | Yellow | Yellow | Yellow |
| 12 | Magenta | Magenta | Magenta |
| 13 | CTO | CTO | CTO |
| 14 | Color Wheel | Color Wheel | Color Wheel |
| 15 | Color Wheel Control | Color Wheel Control | Gobo Wheel 1 |
| 16 | Gobo Wheel 1 | Gobo Wheel 1 | Gobo 1 Rot/Index High |
| 17 | Gobo 1 Rot/Index High | Gobo 1 Rot/Index High | Gobo 1 Rot/Index Low |
| 18 | Gobo 1 Rot/Index Low | Gobo 1 Rot/Index Low | Gobo Wheel 2 |
| 19 | Gobo Wheel 1 Control | Gobo Wheel 1 Control | Iris |
| 20 | Gobo Wheel 2 | Gobo Wheel 2 | Frame 1A |
| 21 | Gobo Wheel 2 Control | Gobo Wheel 2 Control | Frame 1B |
| 22 | Iris | Iris | Frame 2A |
| 23 | Frame 1A | Frame 1A | Frame 2B |
| 24 | Frame 1B | Frame 1B | Frame 3A |
| 25 | Frame 2A | Frame 2A | Frame 3B |
| 26 | Frame 2B | Frame 2B | Frame 4A |
| 27 | Frame 3A | Frame 3A | Frame 4B |
| 28 | Frame 3B | Frame 3B | Frame Rotate |
| 29 | Frame 4A | Frame 4A | Triangular Prism |
| 30 | Frame 4B | Frame 4B | Prism Index/Rot High |
| 31 | Frame Rotate | Frame Rotate | Prism Index/Rot Low |
| 32 | Triangular Prism | Triangular Prism | Frost |
| 33 | Prism Index/Rot High | Prism Index/Rot High | Strobe / Shutter |
| 34 | Prism Index/Rot Low | Prism Index/Rot Low | Programmers Channel |
| 35 | Frost | Frost | Luminaire Control |
| 36 | Strobe Speed | Strobe Speed | |
| 37 | Strobe Control | Strobe Control | |
| 38 | Programmers Channel | Programmers Channel | |
| 39 | Focus Timing | Fan Control | |
| 40 | Optics Timing | Luminaire Control | |
| 41 | Color Timing | | |
| 42 | Beam Timing | | |
| 43 | Gobo Timing | | |
| 44 | Fan Control | | |
| 45 | Luminaire Control | | |
| 46 | | | |
| 47 | | | |
| 48 | | | |

SAFETY WARNINGS AND NOTICES

When using electrical equipment, basic safety precautions should always be followed including the following:

READ AND FOLLOW ALL SAFETY INSTRUCTIONS.

For indoor, dry locations only. Do not use outdoors. Exposure to rain or moisture may damage fixture unless it is suitably IP rated.

Equipment should be mounted in locations and at heights where it will not readily be subjected to tampering by unauthorized personnel.

The use of accessory equipment not recommended by the manufacturer may cause an unsafe condition.

Not for residential use. Do not use this equipment for other than intended use.

Refer service to qualified personnel. This fixture contains no user serviceable parts.

Prior to first use, carefully inspect unit for damage from shipping.

Installation and operation to be performed by qualified personnel only.

Use safety tether when mounting.

Install only in locations with adequate ventilation of at least 50cm clearance from adjacent surfaces.

Note distance requirement(s) from combustible materials or illuminated objects. Do not mount near gas or electric heaters.

Ensure that ventilation slots are not blocked.

Ensure that the voltage and frequency of the power supply match the power requirements of the fixture.

The fixture must be earthed/grounded to the appropriate conductor.

Do not operate fixture outside the ambient temperature range of -5 to 45°C.

Do not connect the fixture to any dimmer pack.

New fixtures may emit a chemical odor due to the manufacturing process. This odor will dissipate over time.

Prior to each use, carefully inspect power cables and replace any damaged cables.

Exterior surfaces of the fixture are hot during operation. Take appropriate precautions.

Power down the fixture when not in use. Continuous use of the fixture may shorten the lifespan.

Clean fixture regularly, particularly when working in a dusty environment.

Never touch power cables or wires while the fixture is powered on.

Avoid entangling power wires with other cables.

In the event of a serious operating problem, immediately discontinue using the fixture.

Never turn on and off the unit time after time.

The housing, lenses, and/or the ultraviolet filter must be replaced if they are damaged.

Disconnect mains power if the fixture is not used for a long time.

Original packing materials can be reused for transporting the fixture.

Do not look directly at the light beam while the fixture is on.



SAVE THESE INSTRUCTIONS.

WARNING: Refer to National Electrical Code® and local codes for cable specifications. Failure to use proper cable can result in damage to equipment or danger to personnel.

CUSTOMER SERVICE

If you have any questions regarding this product, please contact Customer Service at +1-214-647-7880 or via e-mail at entertainment.service@signify.

LIMITED 2-YEAR WARRANTY

Vari-Lite offers a two-year limited warranty on its control products against defects in materials or workmanship from the date of delivery.

A copy of Vari-Lite two-year limited warranty containing specific terms and conditions can be obtained from the Vari-Lite website at www.vari-lite.com or by contacting your local Vari-Lite office.

AMERICAS

10911 Petal Street
Dallas, TX 75235
Tel: +1 214-647-7880
Fax: +1 214-647-8039

ASIA

Room 1201, Freetown Tower D
E 3rd Ring Rd S, 58
Chaoyang Qu
Beijing Shi, China
Tel: +8610-58674776
Fax: +8610-58674775

B-1-27, Dataran Cascades, No. 13A
Jalan PJU 5/1
Kota Damansara PJU 5
47810 Petaling Jaya
Selangor, Malaysia
Tel: +60 3-7611 7302

EUROPE

Rondweg Zuid 85
Winterswijk 7102 JD
Netherlands
Tel: +31 543-542516
Fax: +31 543-542513

24 Sovereign Park
Coronation Road
Park Royal, London
NW10 7QP
United Kingdom
Tel: +44 020 8965 3209