

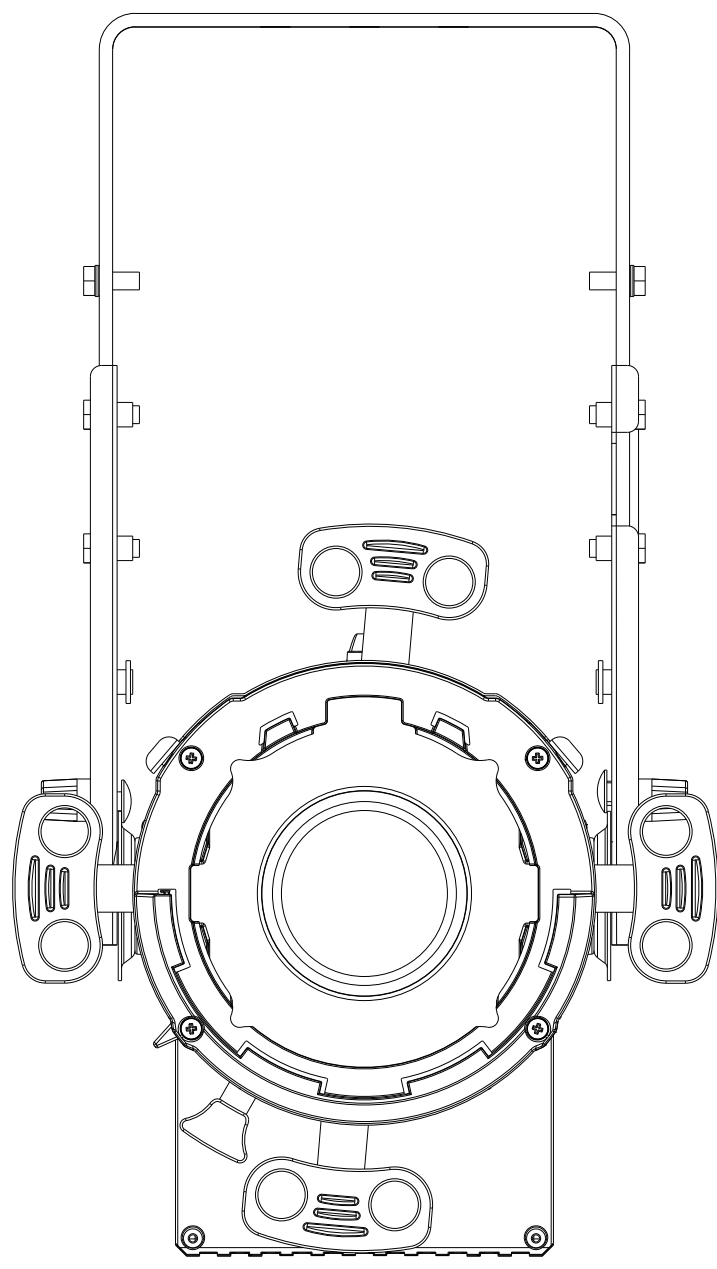
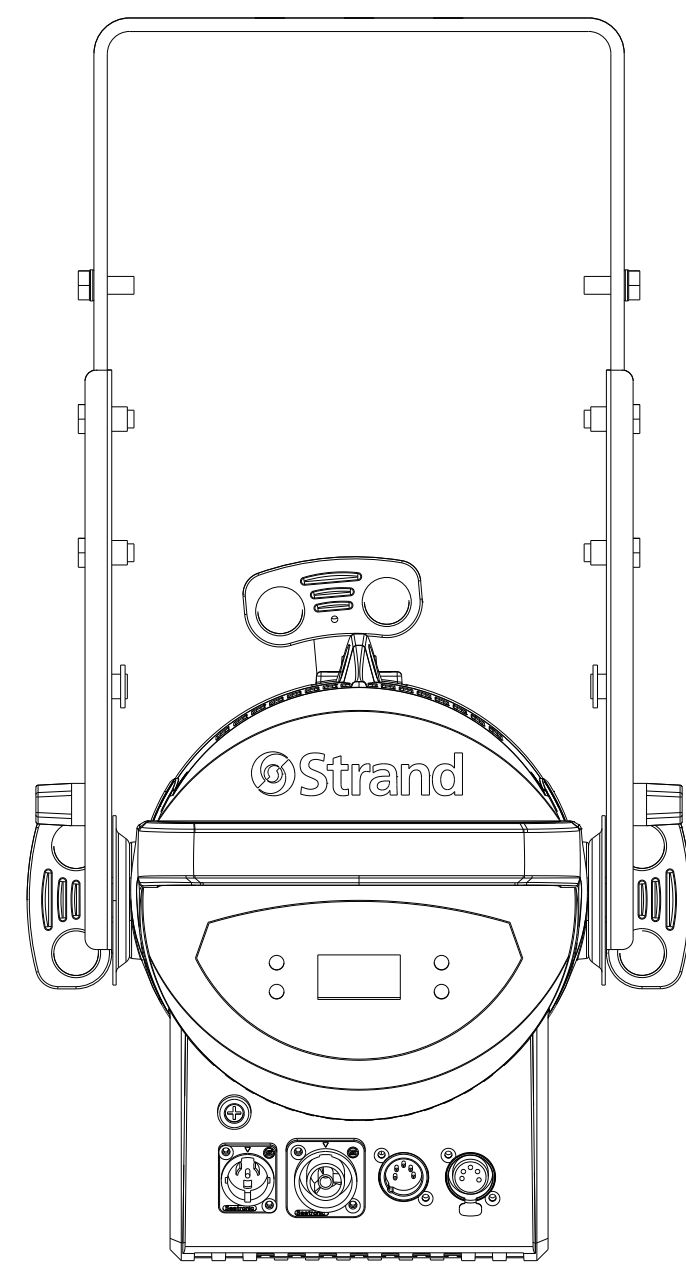
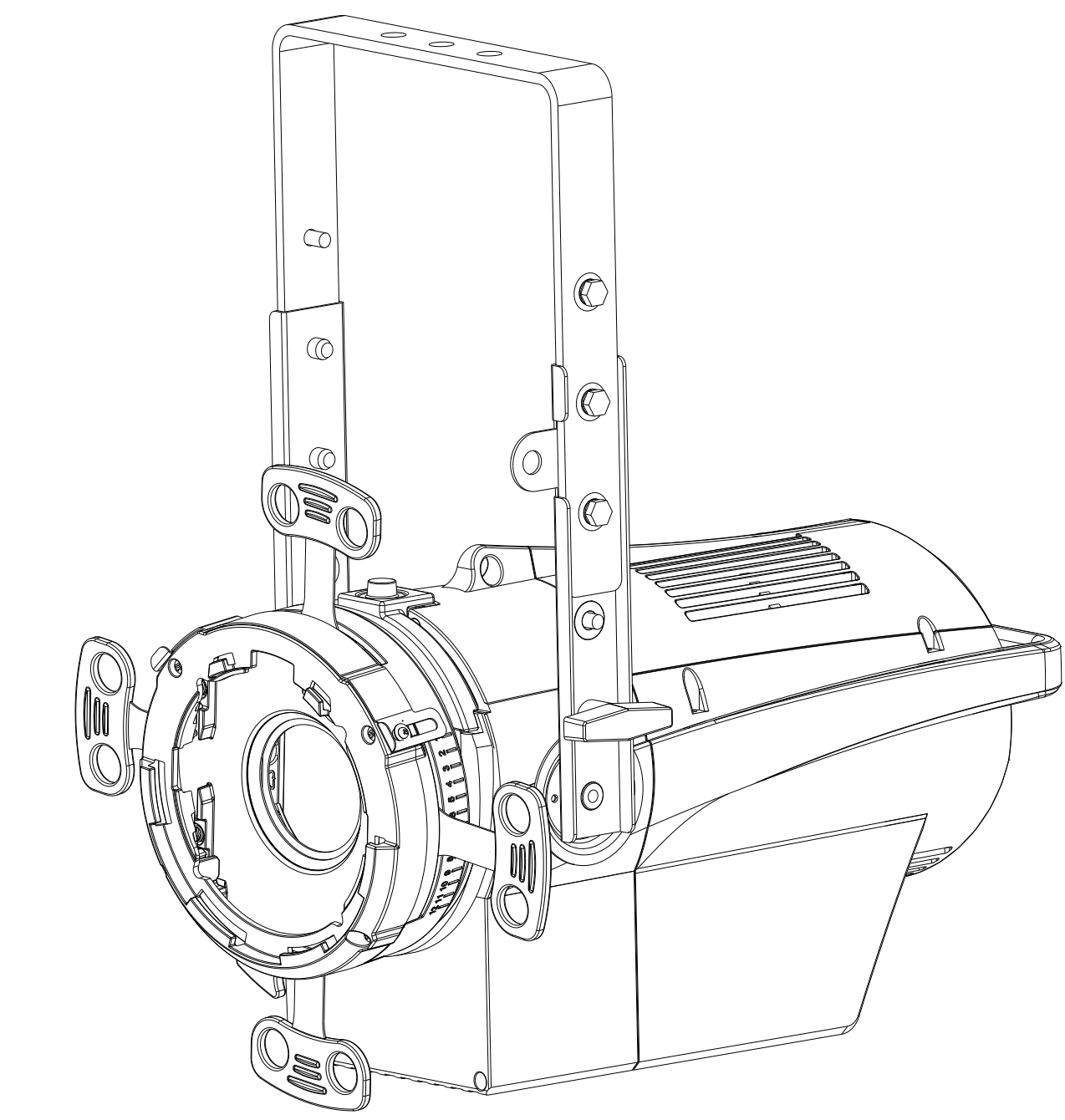
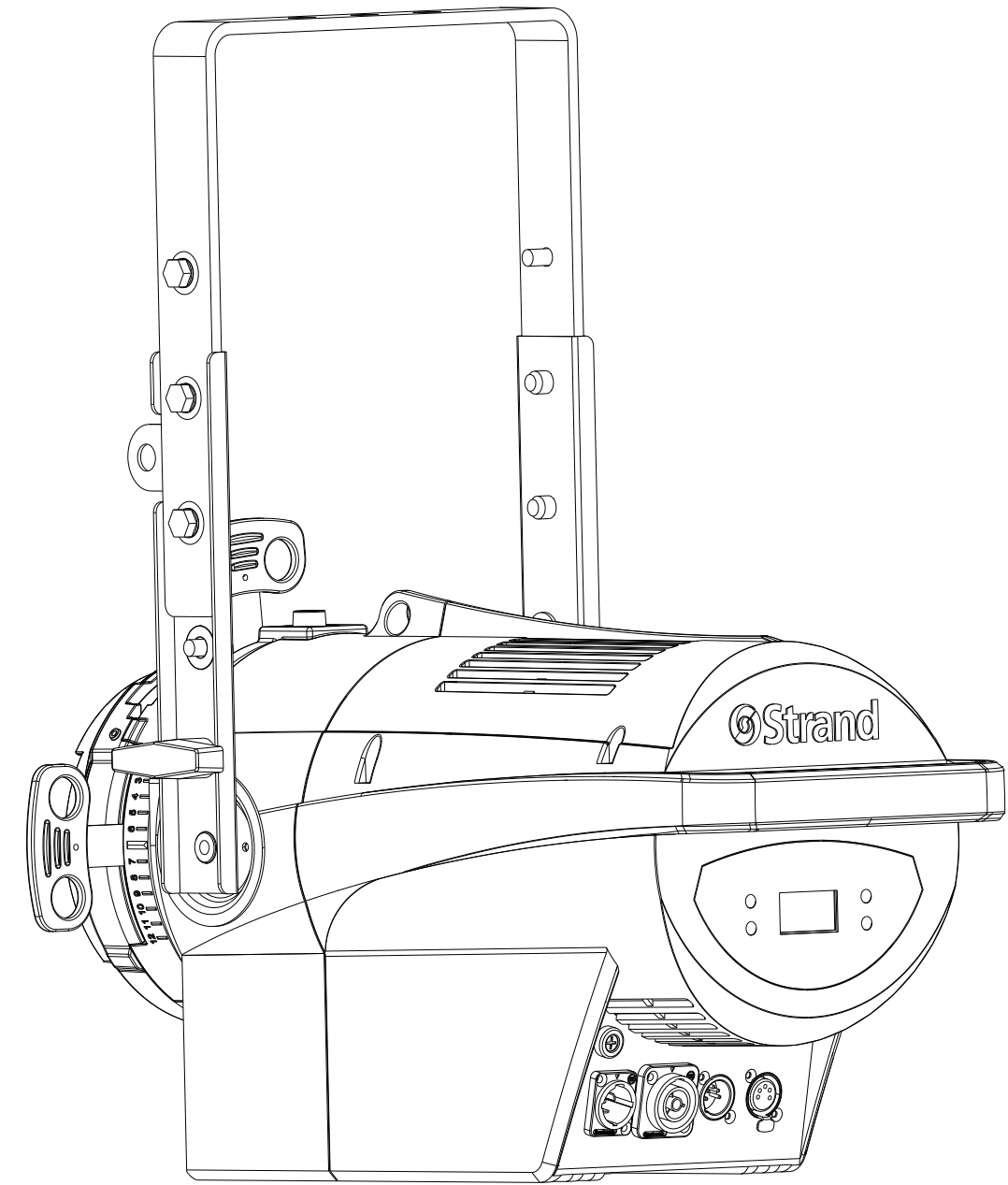
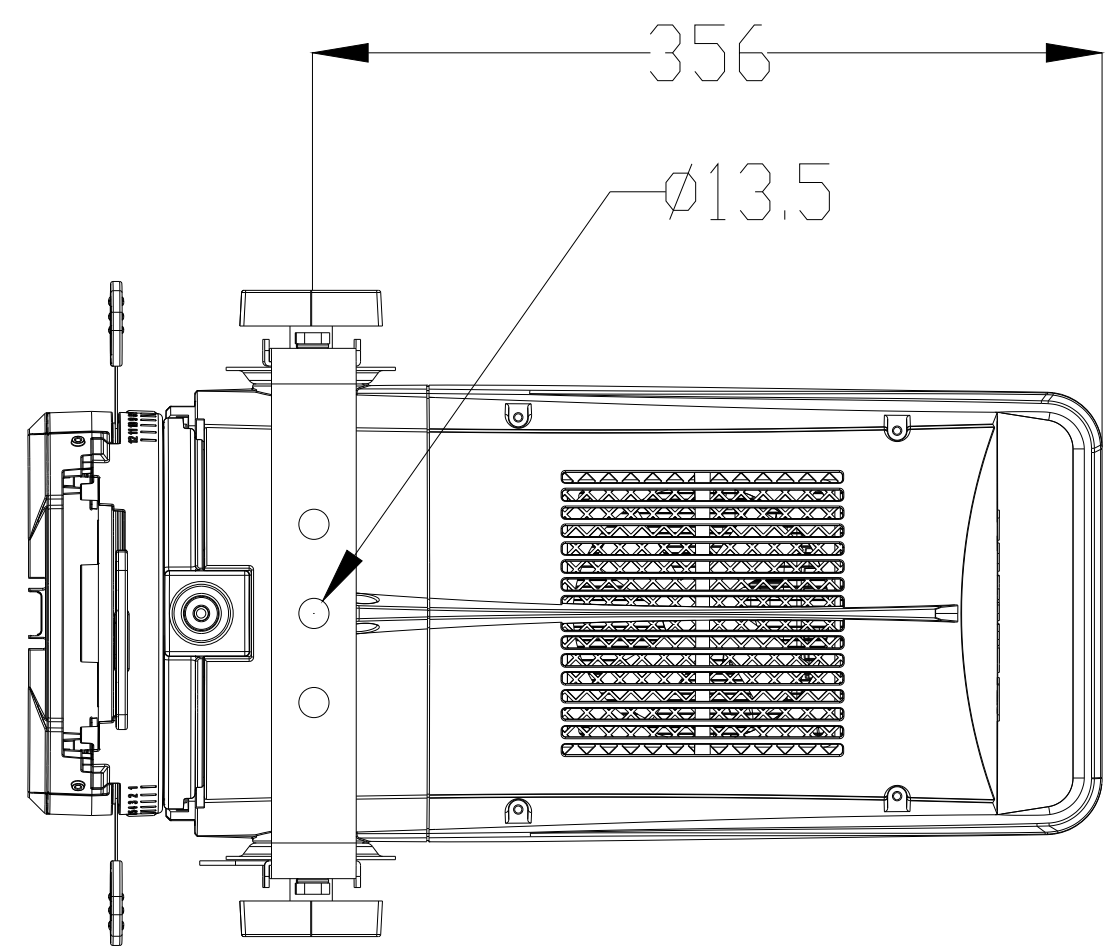
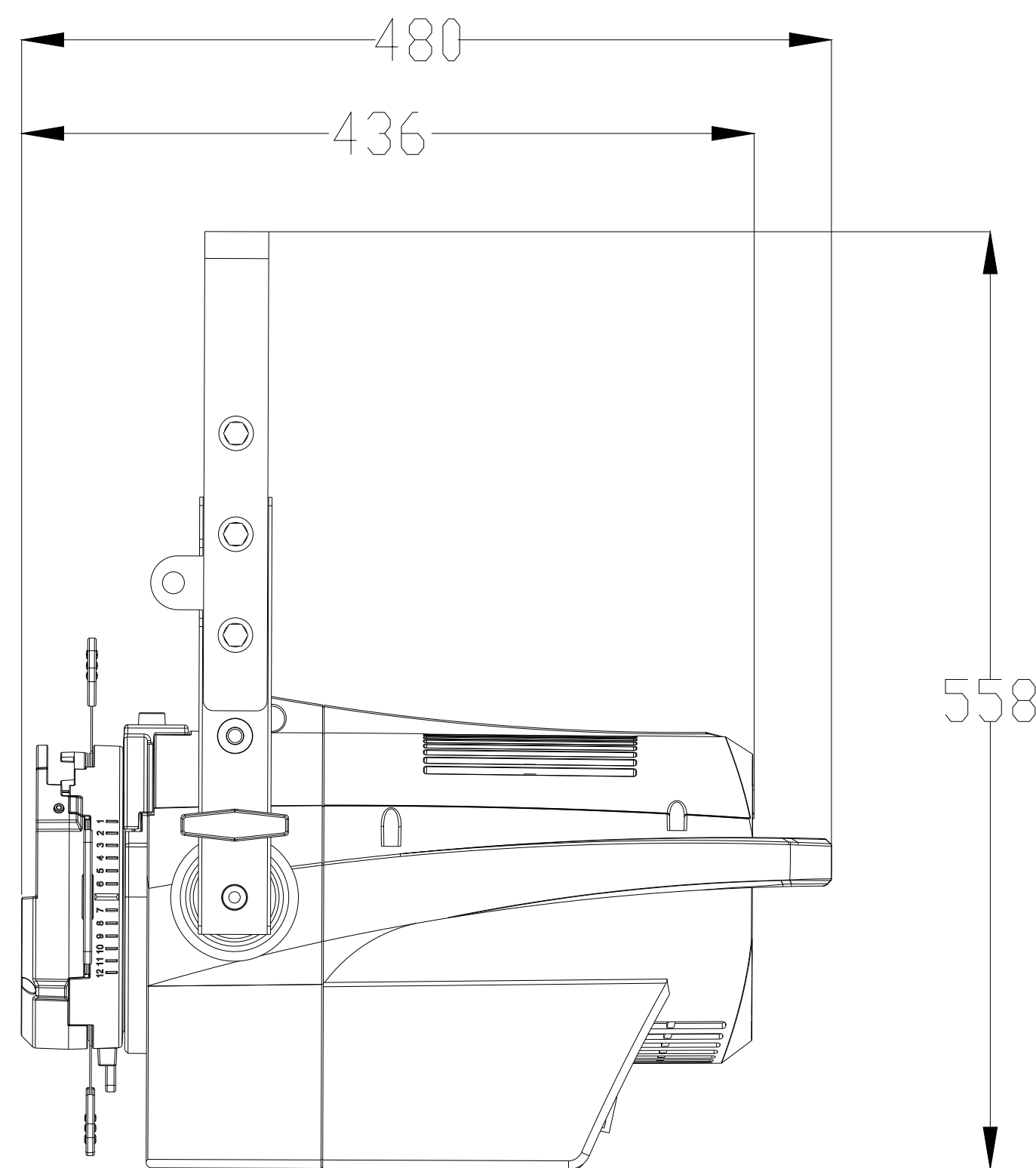
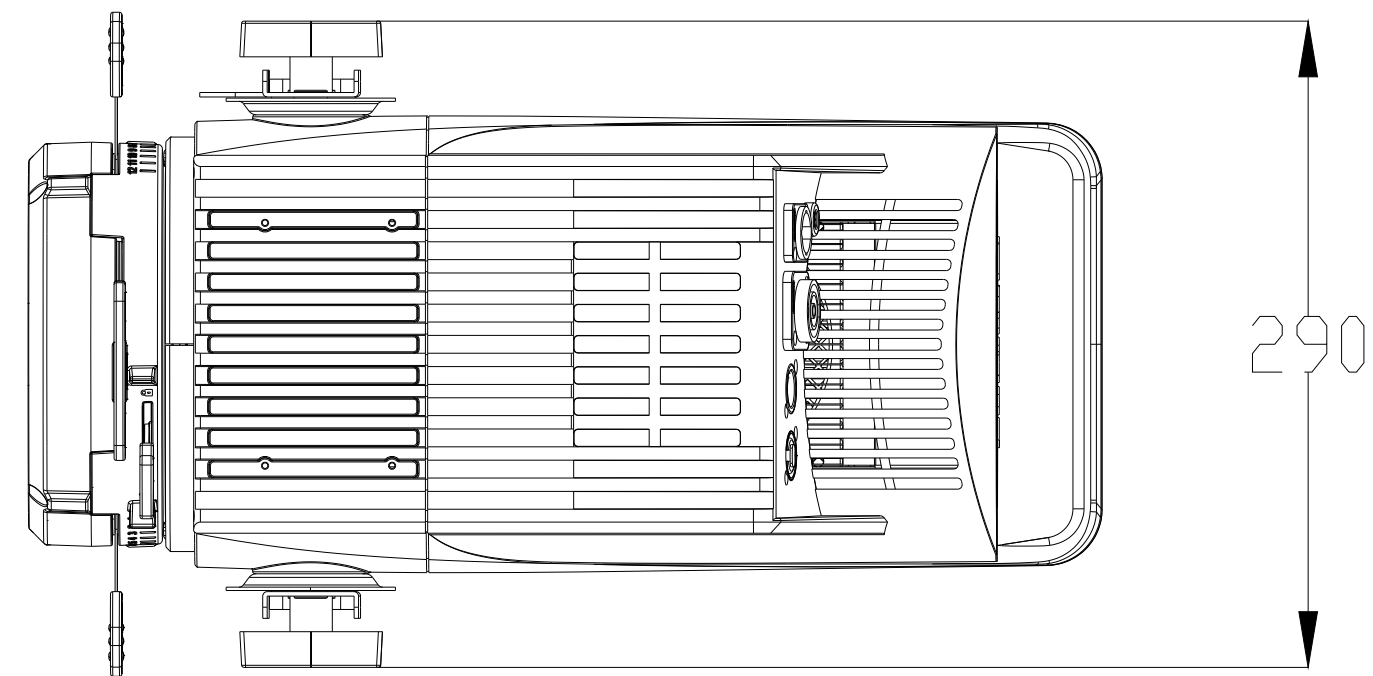
4

3

2

1

REVISIONS				
REV	EC #	DESCRIPTION	DATE	APPD
A		INITIAL RELEASE		



NEXT ASSY		TOLERANCE TABLE	N/A	SIGNIFY ENTERTAINMENT LIGHTING 10911 PETAL ST., DALLAS, TX 75238	
NOTICE: INFORMATION AND DESIGN DISCLOSED ON THIS DOCUMENT ARE CONSIDERED PROPRIETARY AND SHALL NOT BE REPRODUCED OR DISCLOSED WITHOUT WRITTEN CONSENT. SIGNIFY ENTERTAINMENT LIGHTING ALL RIGHTS RESERVED.		MATERIAL	DSN BY DWN BY	LEKO LED PROFILE, TUNABLE WHITE & FULL COLOR (RGBALC)	
		FINISH	MATERIALS, PARTS AND PRODUCTS MUST COMPLY WITH THE ENVIRONMENTAL REQUIREMENTS OF P/N 0236000001	SIZE	REVISION
			ALL DIMENSIONS ARE IN INCHES UNLESS NOTED OTHERWISE. REMOVE ALL BURRS AND SHARP EDGES.	D	A
				DRAWING NUMBER 64505-00X	
				SCALE: N.T.S.	AUTOCAD LT 2017 SHEET 1 OF 1

4

3

2

1

D

C

B

A

D

C

B

A