



PROFILE

250 WHITE 3000°K / 5600°K

ULP250WW1528 / ULP250WW2240 / ULP250CW1528 / UPL250CW2240



Version 1.0

USER MANUAL

- Be sure to read the USER MANUAL carefully before using this product.
- Be sure to keep the USER MANUAL properly for future needs.
- Use this product correctly when you can fully understand the User Manual

1.Safety instructions

Thank you for choosing our PROFILE 250 White . for your own safety, please read this user manual carefully

BEFORE YOU INITIAL START - UP!

CAUTION!
Be careful with your operations.
With a high voltage you can suffer a dangerous electric shock when touching the wires!

This device has left our premises in absolutely perfect condition. In order to maintain this condition and to ensure a safe operation, it is absolutely necessary for the user to follow the safety instructions and warning notes written in this manual.

CAUTION!
Keep this device away from rain and moisture!
Unplug mains lead before opening the housing!

Important:

The manufacturer will not accept liability for any resulting damages caused by the non-observance of this manual or any unauthorized modification to the device.

Please consider that damages caused by manual modifications to the device are not subject to warranty.

During the operation the housing becomes hot). Allow the fixture to cool approximately 20 minutes prior to manipulate with it.

Make sure that the available voltage is not higher than stated on the rear panel.

WARNING! This unit does not contain an ON/OFF switch. Always disconnect power input cable to completely remove power from unit when not in use or before cleaning or servicing the fixture.

Make sure that the power-cord is never crimped or damaged by sharp edges. Check the device and the power-cord from time to time.

Always disconnect from the mains, when the device is not in use or before cleaning it. Only handle the power-cord by the plug. Never pull out the plug by tugging the power cord.

This device falls under protection class I. Therefore it is essential to connect the yellow/green conductor to earth.

The electric connection, repairs and servicing must be carried out by a qualified employee.

Do not connect this device to a dimmer pack.

Do not switch the fixture on and off in short intervals as this would reduce the lamp's life.

During the initial start-up some smoke or smell may arise. This is a normal process and does not necessarily mean that the device is defective.

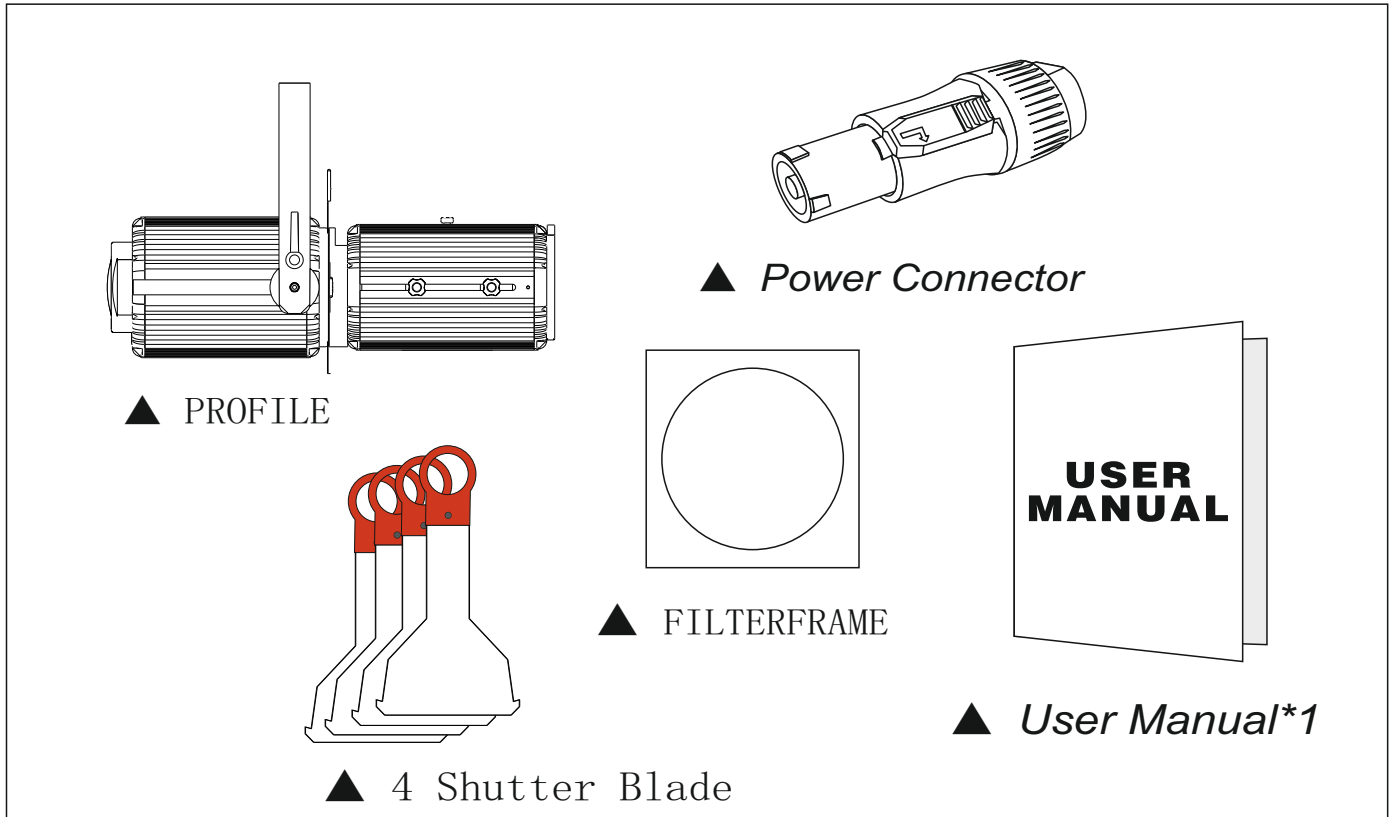
Do not touch the device's housing bare hands during its operation (housing becomes hot)!

For replacement use lamps and fuses of same type and rating only.

CAUTION ! EYE DAMAGES !
Avoid looking directly into the light source
(meant especially for epileptics) !

2.UNPACKING

The PROFILE adopts 200W LED lamp which features high brightness and stability. Please carefully unpack it when you receive the fixture and check whether it is damaged during the transportation. And please check whether the following items are included inside the box:



The PROFILE 200 is made of a new type of high temperature strength and cast aluminum casing with nice outlook . The fixture is designed and manufactured strictly following CE standards, complying with international standard DMX512 protocol. It's available independently controlled and linkable with each other for operation. And it is applicable for large-scale live performances, theater, studio, nightclubs and discos.

This manual covers the important information on installation and applications. Meanwhile, please keep this manual well for future needs.

3. TECHNICAL INFORMATION



White LED COB
(3000K or 5600K)



AC90-260V-50/60Hz



250



Zoom Angle 15°-28°
Zoom Angle 22°-40°



1/5

ACCESSORY



INCLUDED CP.FF



INCLUDED
CP.SB (Shutter Blades)



CP.ID (Shutter Blades)



CP.GH
(Gobo Holder B Size)

SOURCE

White color temperature 3.000k or 5.600k Led COB
50.000 hour Average life

FEATURES

Profile with White led COB Warm or Cold
White color Temperature 3.000K or 5.600K
Aluminium/steel case
Zoom lens with a perfect color Mixing
Support bracket

SPECIFICATION

Electronic Smooth Dimmer
16 bit resolution
Setting dimmer curve
(halogen lamp/discharge lamp)
Strobe effect, synchronized, random and
adjustable speed
Flicker-free from 600 to 5.000 Hz
Manual zoom 15°- 28° / 22°- 40°

CONTROLLING

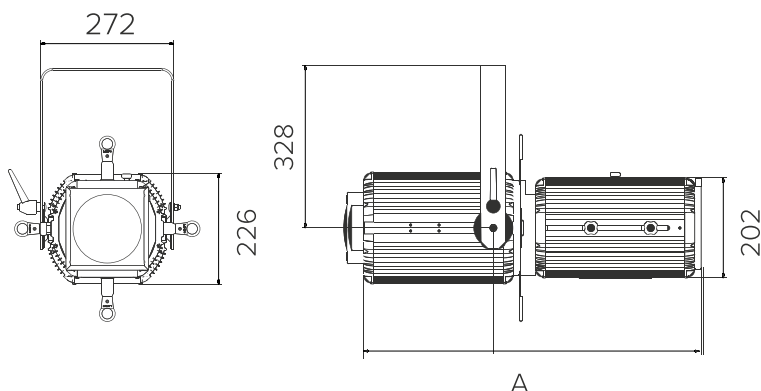
USITT DMX 512
2 DMX Channels Modes: 1 / 5
Display menu for setting
RDM
Master/slave

ELECTRICAL SPECIFICATIONS

AC 90-240V 50-60 Hz
250W Max power Consumption
In-out powercon connectors
(max 10 profile)
5 pin in-out Neutrik dmx connectors
Protection class: IP20

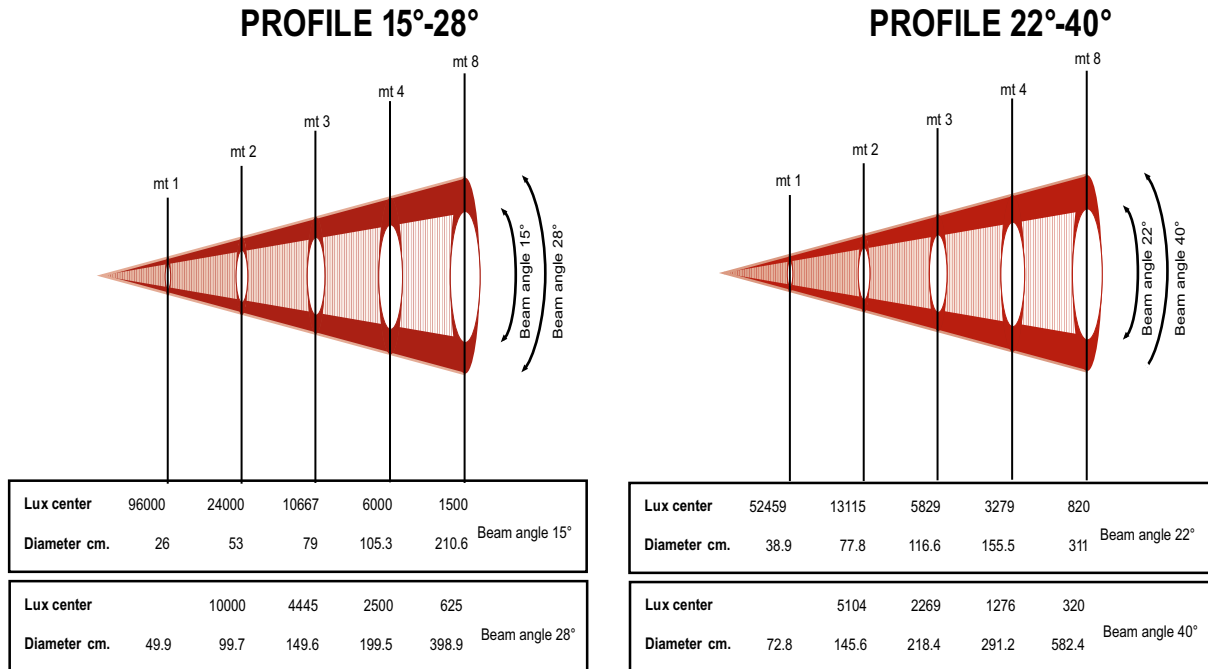
WEIGHT

Weight: 15°- 28° = 16 kg
22°- 40° = 15 kg



15° - 28° A = 770mm
22° - 40° A = 680mm

4.PHOTOMETRICS DIAGRAM



- PROFILE is an LED projector, with adjustable shutter, adjustable system and focus.
- Do not switch the appliance on if there is a serious temperature difference such as after transportation
- because it could damage the light due to changes in the environment. So be sure to use the appliance until it is at normal temperature.
- This light should be far from strong shaking during any transport or movement.
- Do not expose the appliance to overheating, humidity or the environment with too much dust during installation. IS do not lay power cables on the floor. Or it may cause an electronic shock to people. Make sure the installation location is in a safe condition before installing the equipment.
- Make sure to put the safety chain in place and check if the screws are screwed correctly during device installation.
- Ensure that the appliance is operated by qualified personnel who know the appliance before use.
- Keep the original packaging if a second shipment is required.
- Do not try to change the projectors without any instruction from the manufacturer or repair appointed agencies.
- It is not in the warranty interval if there are malfunctions not to follow the user manual to operate or any illegal operation, such as short circuit, electronic shock, broken lamp, etc.

6. INSTALLATIONS

Cautions:

For added protection mount the fixtures in areas outside walking paths, seating areas, or in areas where the fixture might be reached by unauthorized personnel.

Before mounting the fixture to any surface, make sure that the installation area can hold a minimum point load of 10 times the device's weight.

Fixture installation must always be secured with a secondary safety attachment, such as an appropriate safety cable.

Never stand directly below the device when mounting, removing, or servicing the fixture.

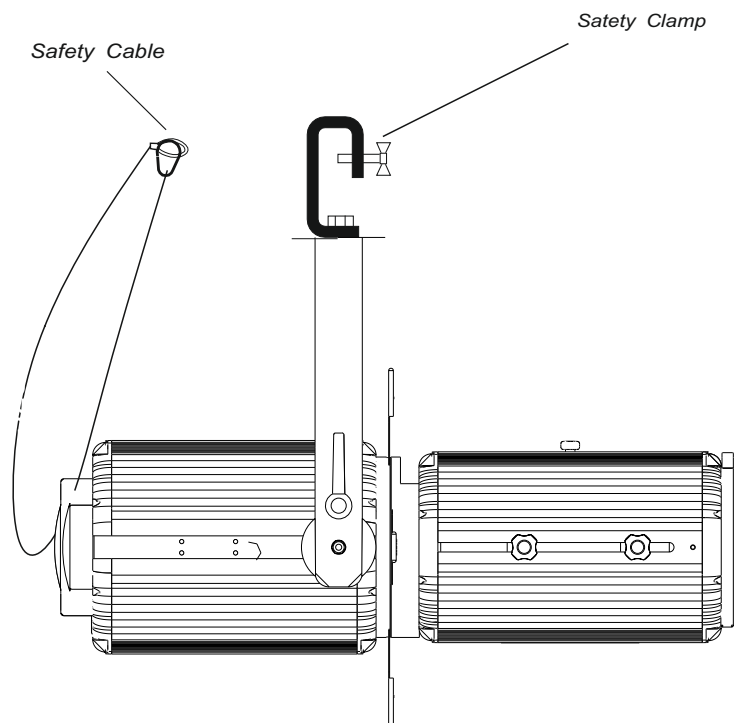
from a ceiling, or set on a flat level surface (see illustration below). Be sure this fixture is kept at least 0.5m (1.5 f t) away from any flammable materials (decoration etc.).

Always use and install the supplied safety cable as a safety measure to prevent accidental damage and/or injury in the event the clamp fails.

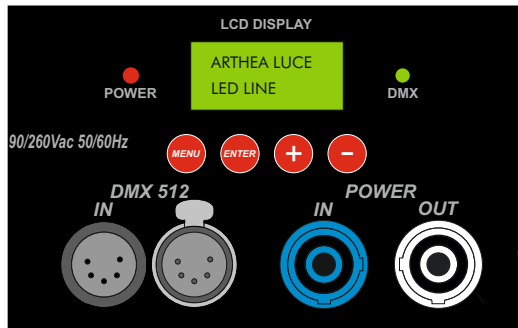
Mounting points:

Mounting the projector requires extensive experience, including amongst others calculating working load limits, a fine knowledge of the installation material being used, and periodic safety inspection of all installation material and the fixture. If you lack these qualifications, do not attempt the installation yourself. Improper installation can result in bodily injury.

Be sure to complete all rigging and installation procedures before connecting the main power cord to the appropriate wall outlet.

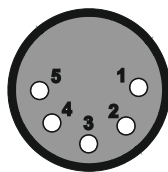
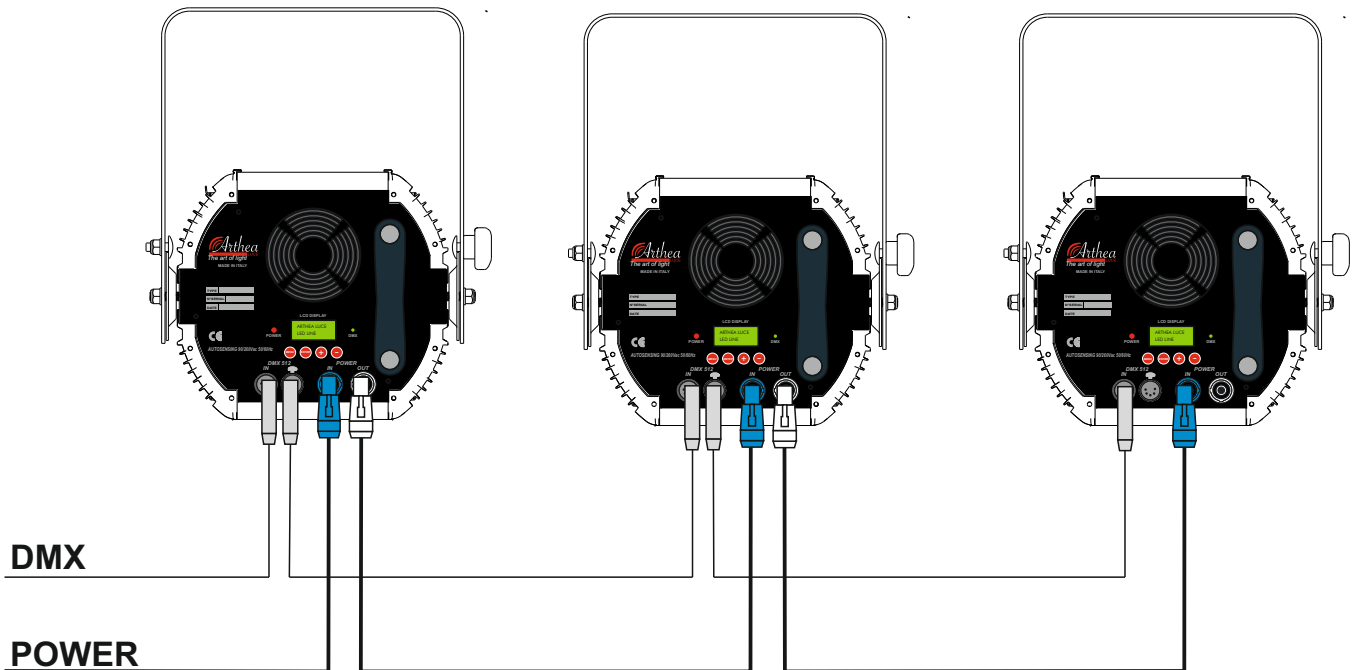


7.CONTROL CONNECTION



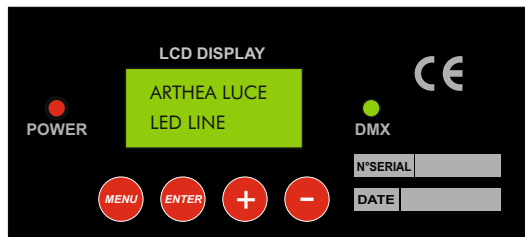
Connect the provided XLR cable to the female 5-pin XLR output of your controller and the other side to the male 5-pin XLR input of the moving head. You can chain multiple projectors together through serial linking. The cable needed should be two core, screened cable with XLR input and output connectors. Please refer to the diagram below. DMX-512 connection with DMX terminator.

For installations where the DMX cable has to run a long distance or is in an electrically noisy environment, such as in a discotheque, it is recommended to use a DMX terminator. This helps in preventing corruption of the digital control signal by electrical noise. The DMX terminator is simply an XLR plug with a 3 resistor connected between pins 2 and 3, which is then plugged into the output XLR socket of the last fixture in the chain. Please see illustrations below.



Pin 1= GROUND
Pin 2= DATA-
Pin 3= DATA+
Pin 4 =nc
Pin 5 =nc

8.MENU OPERATIONS



MENU		Description	
Dmx Address	Dmx Address	A001~AXXX <i>DMX address setting</i>	
MENU Function	Dimmer	Xeno Tungsten <i>it can simulate dimmer effect with Tungsten or Xenon lamp</i>	
	Test	White Tmp 2800K to 5800K	0-255
		Dimmer	0-255
		Effect	0-255
		Store	0-255
	DMX CHAN	1 Chn	1 Channel MODE
		5 Chn	5 Channel MODE
	Display	Reverse Hold	<i>it allows to turn 180°the reading of the display.Hold locks the keys. Press any key for 5" to unlock.</i>
	BackLigh	Auto ON	<i>AUTO allows to turn off the display after 6 seconds</i>
	Out Freq	from 1000 to 5000Hz	<i>it allows to set the flickering frequency from 1000 to 5000 Hz besides the default value.(NOTE:DMX signal goes ahead this setting)</i>
	Out Lim	OFF Signal Mode (On/Off)	<i>Disables the adjusting of the leds settingthem at maximum output.</i>
	Reset	enter	<i>it permits the reset of the unit.Keepin pressed ENTER and MENU at the turningon of the unit it allows to access ALIG features</i>
Default	Sure	<i>it restores all the setting at default value excepting of led settings and hour meter.</i>	
Remoto	ID (da 1 a n°)	<i>it allow to set the ID number of the unit by + and - keis (enter)</i>	
MENU Measure	Temp Led		
	Imput V		
	Dmx Val		
	Dmx Rate		
	Alarms		
	Out Val		
	Freq Val		
	Timers		
Soft Ver			
MENU Mode	DMX	<i>reset the projector's dmx operation</i>	

PROFILE WHITE

1channel	5channel	function	type of control	effect	decimal	percentage
1	1	master dimmer	proportional	adjust luminous output intensity from 0 to 100%	0 - 255	0% - 100%
	2	spare channel	step	no effect	0 - 255	0% - 100%
	3	dimmer fine	step	no effect	0 - 9	0% - 4%
			proportional	fine dimmer control 16 bit.	10 - 255	4% - 100%
	4	strobe	step	no effect	0 - 9	0% - 4%
			proportional	variable speed strobing effect, from slow to fast	10 - 57	4% - 22%
			step	stop strobe	58 - 59	23% - 23%
			proportional	sequenced pulse effect, slow closing, fast opening (variable speed pulsing, from slow to fast)	60 - 108	24% - 42%
			step	stop strobe	109 - 110	43% - 43%
			proportional	sequenced pulse effect, fast closing, slow opening (variable speed pulsing, from slow to fast)	111 - 159	44% - 62%
			step	stop strobe	160 - 161	63% - 63%
			proportional	random strobe effect with variable speed from slow to fast, synchronised colors.	162 - 207	64% - 81%
			step	stop strobe	208 - 209	82% - 82%
			proportional	random strobe effect with variable speed from slow to fast, non synchronised colors.	210 - 255	82% - 100%
	5	special functions	step	600 Hz	0 - 9	0% - 4%
				park, no effect	10 - 133	4% - 52%
				LCD display off	134 - 185	53% - 73%
				LCD display on	186 - 199	73% - 78%
				LED control frequency tuning 1000Hz	200 - 205	78% - 80%
				LED control frequency tuning 1500Hz	206 - 211	81% - 83%
				LED control frequency tuning 2000Hz	212 - 217	83% - 85%
				LED control frequency tuning 2500Hz	218 - 223	85% - 87%
				LED control frequency tuning 3000Hz	224 - 229	88% - 90%
				LED control frequency tuning 3500Hz	230 - 235	90% - 92%
				LED control frequency tuning 4000Hz	236 - 241	93% - 95%
				LED control frequency tuning 4500Hz	242 - 247	95% - 97%
				LED control frequency tuning 5000Hz	248 - 255	97% - 100%

10.Maintenance and cleaning


It is absolutely essential that the fixture is kept clean and that dust, dirt and smoke-fluid residues must not build up on or within the fixture. Otherwise, the fixture's light-output will be significantly reduced. Regular cleaning will not only ensure the maximum light-output, but will also allow the fixture to function reliably throughout its life. A soft lint-free cloth moistened with any good glass cleaning fluid is recommended, under no circumstances should alcohol or solvents be used!

DANGER !
Disconnect from the mains before starting any
maintenance work

The front objective lens will require weekly cleaning as smoke-fluid tends to building up residues, reducing the light-output very quickly. The cooling-fans should be cleaned monthly.

The interior of the fixture should be cleaned at least annually using a vacuum-cleaner or an air-jet.

Remove dust and dirt from the fans and cooling vents using a soft brush and vacuum-cleaner.

Information on disposal of the equipment	
	<p>The equipment at the end of its useful life must be disposed of at an appropriate recycling center for waste electrical and electronic equipment. The treatment and disposal of environmentally friendly, helps prevent potential negative environmental and health and promote the reuse and / or recycling of materials making up the equipment. Illegal disposal by the user includes the application of administrative sanctions provided by law.</p>

Our equipment has been manufactured and assembled by the rules and the essential requirements of the RoHS directive, so the materials we use and electronic subassemblies that we receive from our suppliers have been checked and are produced in compliance with the Directive in question.

Reference	Title
2004/108/EC	Directive of the European Parliament and of the Council of 15 December 2004 on the approximation of the laws of the Member States relating to electromagnetic compatibility and repealing Directive 89/336/EEC (EMC)
2006/95/EC	Directive of the European Parliament and the Council of 12 December 2006 on the approximation of the laws of the Member States relating to electrical equipment designed for use within certain voltage limits (LVD)
2002/95/EC	Directive of the European Parliament and the Council of 27 January 2003 on the restriction of certain hazardous substances in electrical and electronic equipment (RoHS)
2002/96/EC & 2003/108/EC	Equipment Directive of the European Parliament and the Council of 27 January 2003 on waste electrical and electronic equipment (WEEE)



ULTRALITE DEUTSCHLAND Haerle Lichttechnik GmbH •

Marie-Curie-Str. 4 • 89584 Ehingen Germany •

+49 7391 7747 0 • www.ultralite.eu • info@ultralite.eu