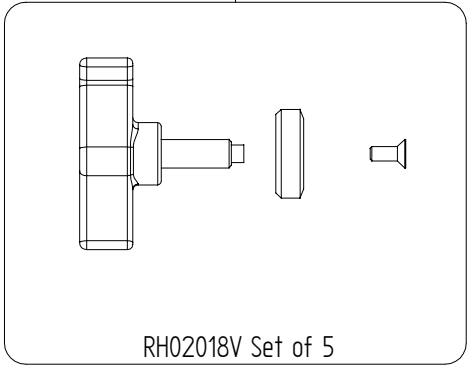
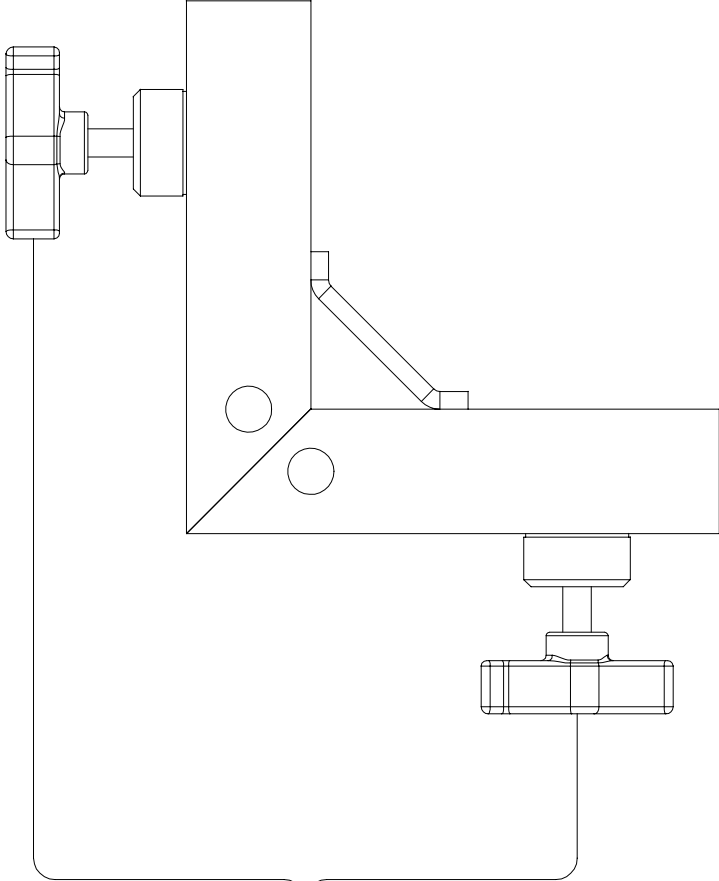


Avenger

ART.
RH01033

VERSIONE: 003
DEL: 2002-10-11



RH02018V Set of 5