

LEKO LED OUTDOOR PROFILE, FC

Date: _____
Type: _____
Firm: _____
Name: _____
Project: _____

The Strand Leko® LED Outdoor Profile is a modern successor to the iconic Strand Leko, but in a sturdy IP65 housing built to withstand the elements. Designed to take the performance outside no matter the weather, this profile fixture is available in a full color version and higher output cold white version. The full color version uses an RGBALC (Red, Green, Blue, Amber, Lime & Cyan) color mixing system for a wide mixable color spectrum, but it can be easily controlled with traditional CYM controls using the SmartColor Control system. To compliment the Full Color version, a high output cold white (5600 K) version is available, optimized to give even greater power for long distance projection applications. The onboard zoom and focus can be adjusted manually or via DMX, and has a range of 18° to 30°. The Leko LED Outdoor also includes a four-shutter framing system, and an optional gobo rotating / indexable gobo rotator is available as well.



- High output IP65 rated LED Profile - modern theatrical profile built for the outdoors.
- High CRI RGBALC Color System with SmartColor Control - wide range of vivid color options that can be programmed using CYM.
- Independent color mixing and temperature controls - match color pallet to color temperature without manual adjustment for simpler programming.
- Independent color mixing and temperature controls - match color palette to color temperature without manual adjustment for simpler programming.
- Cold white (5600 K) version optimized for maximum output - perfect for long distance projection running higher CRI output engine. Cold White version (64506-001) is not available for sale or delivery to any country or state within the European Union.

- Wide range zoom (18° to 30°) and adjustable focus can be controlled manually and/or by DMX - adjust the fixture where and how you need.
- Wire free DMX - integrated Wireless solution WDMX receiver.

For detailed product information, please refer to www.vari-lite.com/global/products/leko-led-outdoor-profile



 Strand

Specifications

Due to continuous improvements and innovations, specifications may change without notice.

Source

LED	Multichromatic Light Engine - RGBALC
Source Max Power Consumption	250 W
Source CCT	Variable, 2700 K to 10000 K
LED Refresh Rate	12 Hz to 25kHz
Dimming	Electronic 16-bit
Dimmer Curves	Square Law (Default), Linear, S -Curve

Optical Performance

Beam Angle	18 - 30°
Zoom Control	Manual & Motorized DMX controlled
CRI RA	> 96
CRI R9	96.2
Tm30	Rf 94 / Rg 104
TLCI	94
DUV (Delta UV)	-0.00101
Focus	Manual & Motorized DMX controlled

Color System

Color Mixing Control	Smart Color, Open Source or Quick Color
Color Calibration	Selectable On/Off
Color Mixing Control Option	Color Snap On/Off <small>On reduces auto smoothing color to create faster color changes</small>
Variable CTO	2700 K to 10000 K (Smart Color Mode)
Color Presets	32 Calibrated Colors
User Definable Color Presets	20

Imaging

Shutter	4 blade shutter manual operation
---------	----------------------------------

Electrical

Output Power Consumption	234 W @ 120 V, 230 W @ 240 V
Power Connection	TrueOne Compatible - In IP65 <small>Power cable not included - input connector only</small>
Input Voltage	100-240 VAC, 50 / 60 Hz

Data

Supported Protocols	DMX512-A (RDM) 5 - Pin XLR Input and Thru
DMX Modes	
Smart Color Control (default)	19 Channels
Q Color Mode	10 Channels
Open Color Control	23 Channels

Noise Level / Fan Control (Base Level 30 dB @ 1 m (3.3 ft))

Standard Mode	39 dB
Fan Mode	Continuous (On) / Auto Ramping
Cooling System Type	Forced Air Cooling

Mounting

Yoke	Double clutch locking yoke >270° Swivel Yoke M12 (1/2") Centre hole
------	--

Certification and Safety

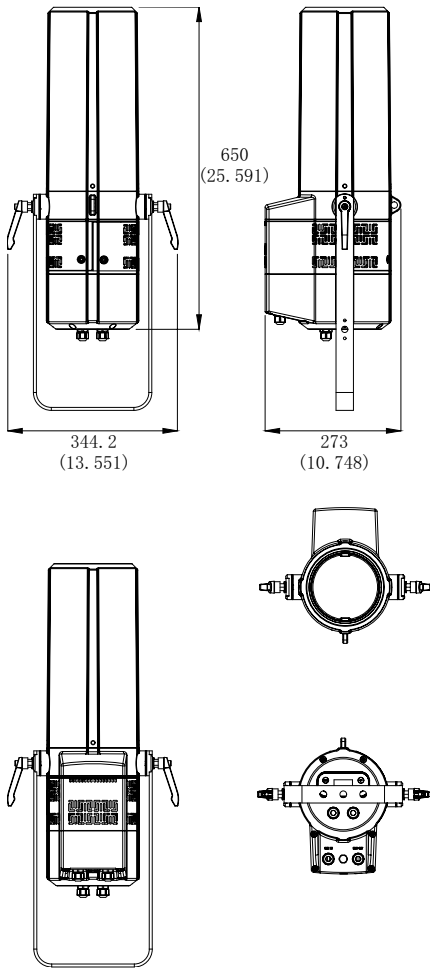
Approbations	CE, ETL, UL, FCC CSA, RoHS, ISO 9001
IP Rating	IP65

Photometrics and IES Files

Narrow @ 5 m / 16.4 ft	4,226 lux (393 fc)
Mid @ 5 m / 16.4 ft	2,217 lux (206 fc)
Wide @ 5 m / 16.4 ft	1,508 lux (140 fc)
Narrow @ 10 m / 32.8 ft	1,057 lux (98 fc)
Mid @ 10 m / 32.8 ft	555 lux (52 fc)
Wide @ 10 m / 32.8 ft	375 lux (35 fc)

For IES files and photometric reports, please refer to the product page: www.strandlighting.com/global/products/leko-led-outdoor-profile

Dimensions



Physical

Construction	Cast aluminium
Standard Finish	Black, White
Dimensions	344 x 648 x 273 mm (13.5 x 25.5 x 10.7 in)
Packed Dimensions	942 x 410 x 360 mm (37.1 x 16.1 x 14.2 in)
Fixture Weight	16.0 kg (35.3 lb)
Packed Weight	20.0 kg (44.1 lb)
Operating Temperature	-20-45°C (-4-113°F)

Gobos

Gobo Gate M size, glass or metal (holder optional accessory)

Luminaire and Accessories

Product type	Order Code
LEKO LED OUTDOOR PROFILE, IP Full Color, Black	64506-002
LEKO LED FC - OUTDOOR IP65, 250w Multichromatic Light Engine - RGBALC, c/w Power input connector, Black	
LEKO LED OUTDOOR PROFILE, IP Full Color , White	64506-102
LEKO LED FC - OUTDOOR IP65, 250w Multichromatic Light Engine - RGBALC, c/w Power input connector, White	
Accessories	
LEKO OUTDOOR ROTATING GOBO HOLDER (M Size, glass or metal)	64506-003
LEKO LED OUTDOOR ROTATING GOBO HOLDER M SIZE (Glass or Metal), (Gobo not included)	

