

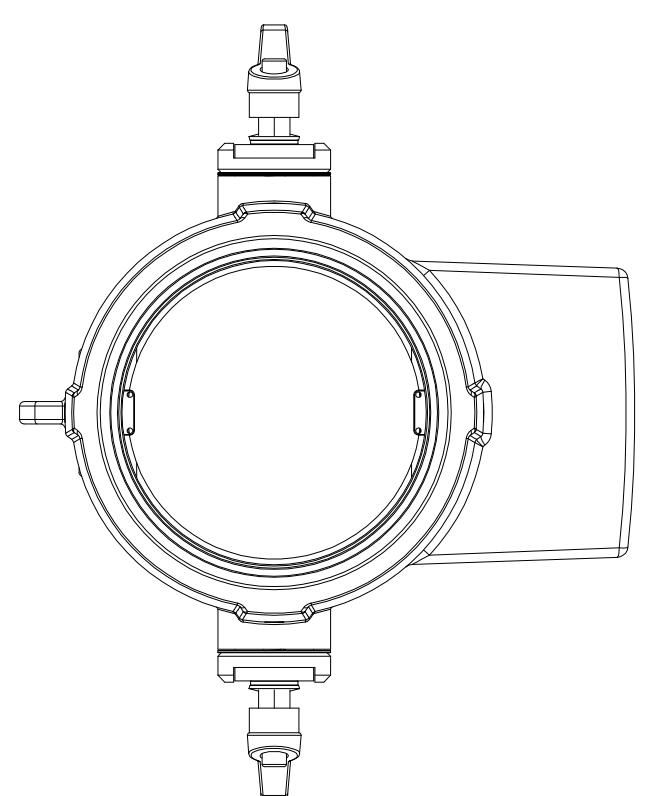
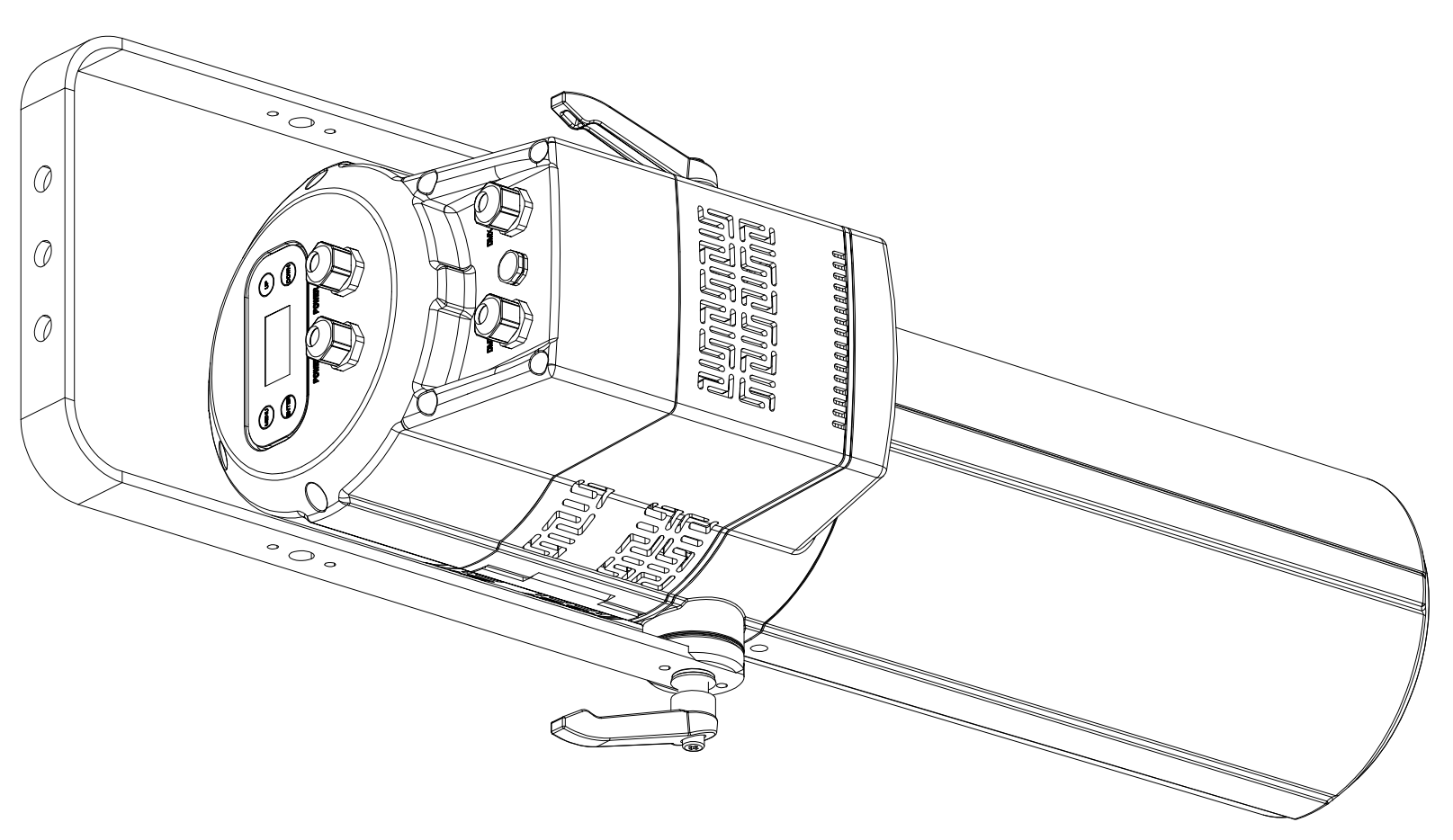
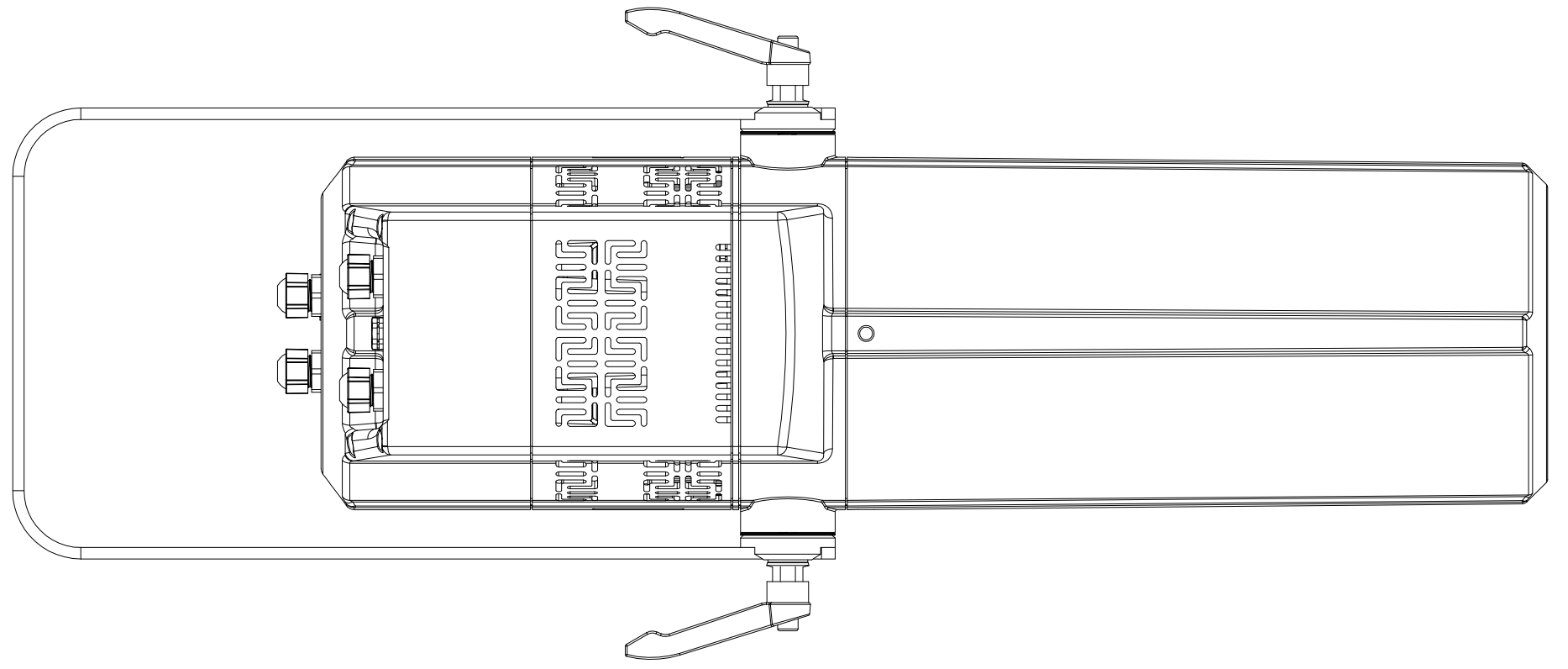
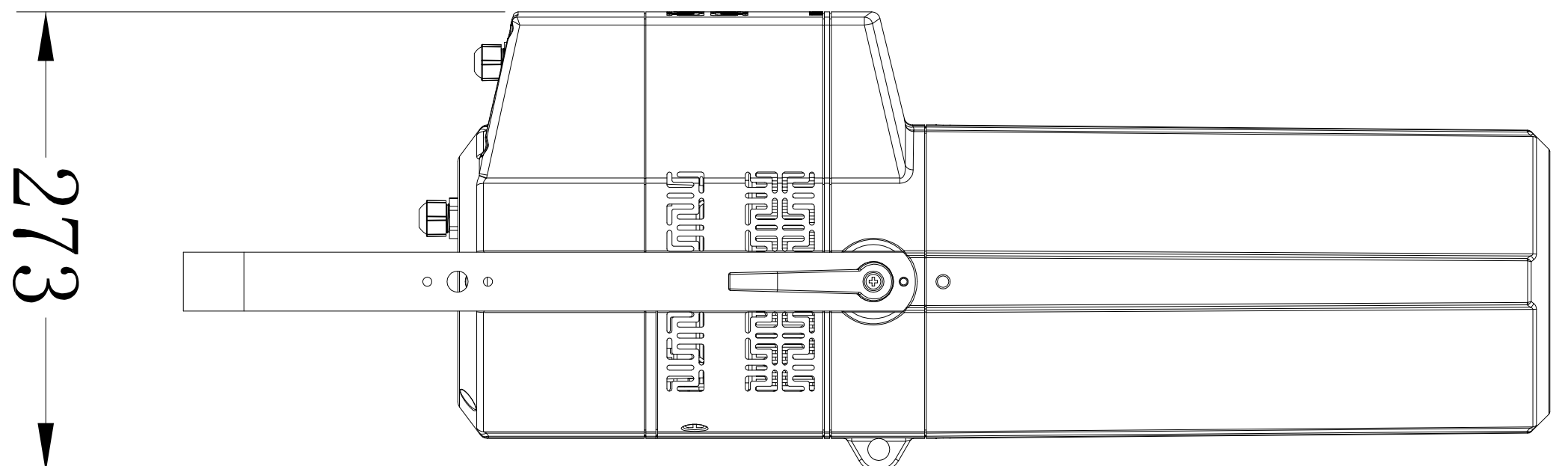
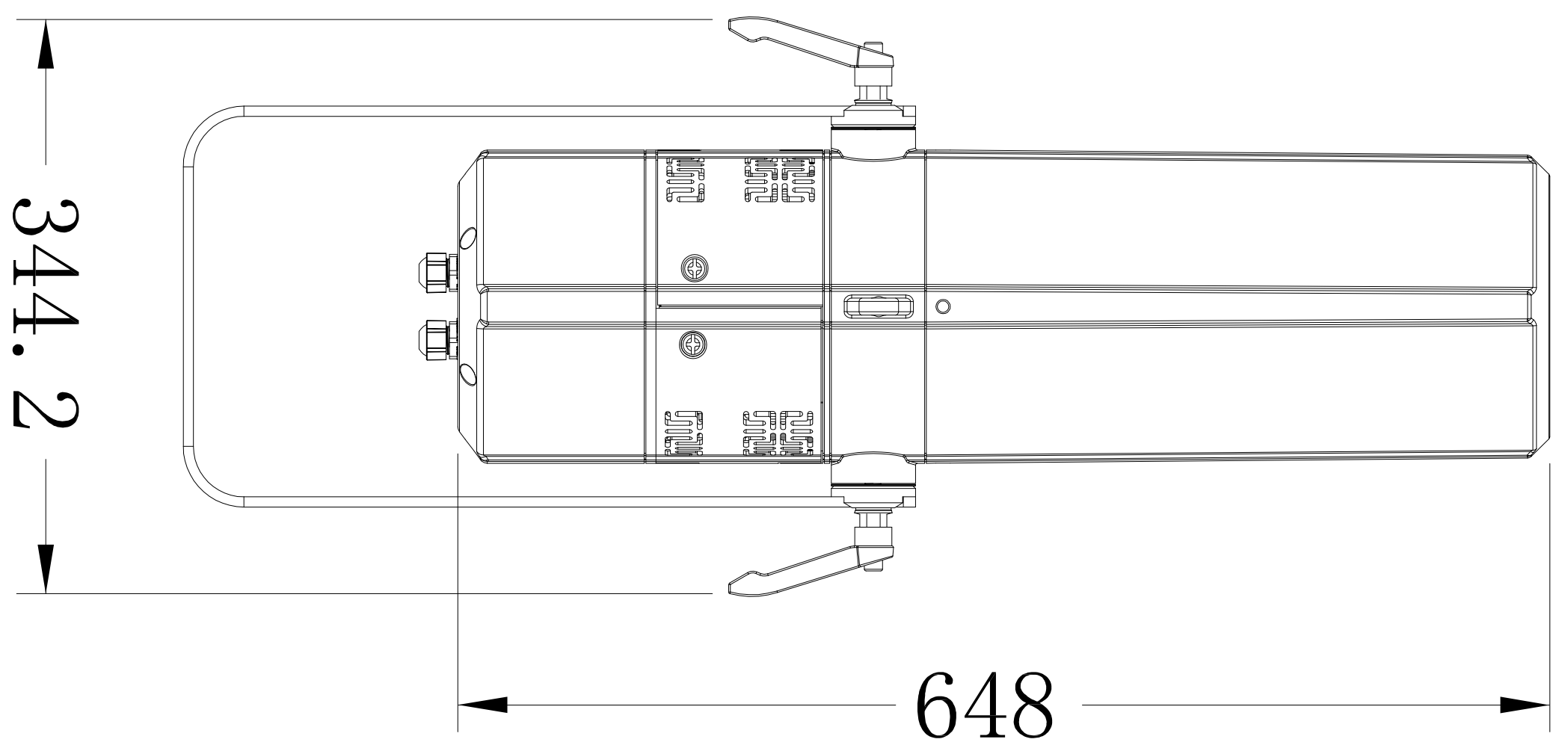
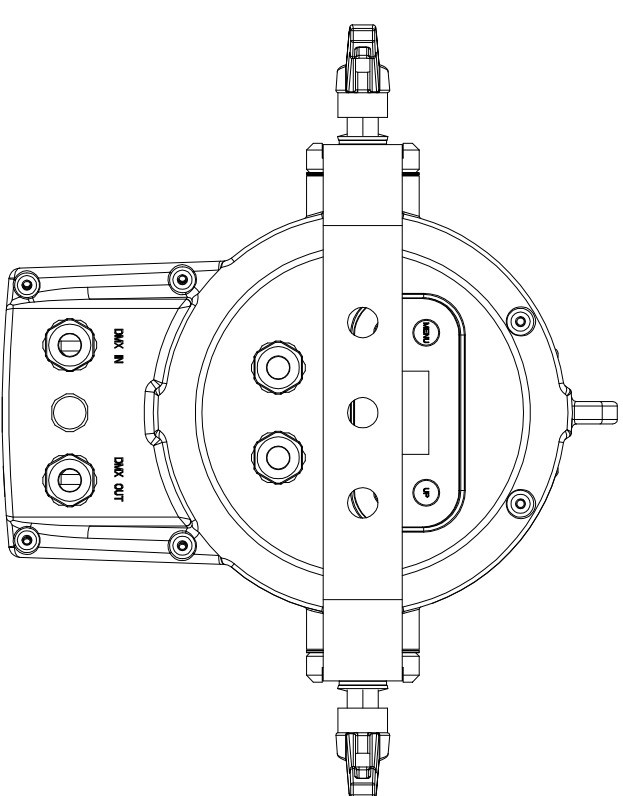
4

3

2

1

REVISIONS			
REV	EC #	DESCRIPTION	DATE
A		INITIAL RELEASE	



A

B

C

D

4

3

2

1

A

B

C

D

**Strand Lighting**

SIGNIFY ENTERTAINMENT LIGHTING  
10911 PETAL ST., DALLAS, TX 75238

LEKO LED, OUTDOOR IP65 ZOOM PROFILE,  
COLD WHITE / FULL COLDER

DRAWING NUMBER  
64506-XXX

SHEET 1 OF 1

SCALE: N.T.S.

NOTICE:  
INFORMATION AND DESIGN DISCLOSED  
ON THIS DOCUMENT ARE CONSIDERED  
PROPRIETARY AND SHALL NOT BE  
REPRODUCED OR DISCLOSED WITHOUT  
WRITTEN CONSENT.  
SIGNIFY ENTERTAINMENT LIGHTING  
ALL RIGHTS RESERVED.

FINISH

MATERIAL

TOLERANCE TABLE

DESIGNED BY

DRAWN BY

DATE

REVISION

SIZE

DATE

SCALE

PROJECT

DESCRIPTION

DATE

BY

CHECKED BY

DATE

SCALE

PROJECT

DESCRIPTION

DATE

BY

CHECKED BY

DATE

SCALE

PROJECT

DESCRIPTION

DATE

BY

CHECKED BY

DATE

SCALE

PROJECT

DESCRIPTION

DATE

BY

CHECKED BY

DATE

SCALE

PROJECT

DESCRIPTION

DATE

BY

CHECKED BY

DATE

SCALE

PROJECT

DESCRIPTION

DATE

BY

CHECKED BY

DATE

SCALE

PROJECT

DESCRIPTION

DATE

BY

CHECKED BY

DATE

SCALE

PROJECT

DESCRIPTION

DATE

BY

CHECKED BY

DATE

SCALE

PROJECT

DESCRIPTION

DATE

BY

CHECKED BY

DATE

SCALE

PROJECT

DESCRIPTION

DATE

BY

CHECKED BY

DATE

SCALE

PROJECT

DESCRIPTION

DATE

BY

CHECKED BY

DATE

SCALE

PROJECT

DESCRIPTION

DATE

BY

CHECKED BY

DATE

SCALE

PROJECT

DESCRIPTION

DATE

BY

CHECKED BY

DATE

SCALE

PROJECT

DESCRIPTION

DATE

BY

CHECKED BY

DATE

SCALE

PROJECT

DESCRIPTION

DATE

BY

CHECKED BY

DATE

SCALE

PROJECT

DESCRIPTION

DATE

BY

CHECKED BY

DATE

SCALE

PROJECT

DESCRIPTION

DATE

BY

CHECKED BY

DATE

SCALE

PROJECT

DESCRIPTION

DATE

BY

CHECKED BY

DATE

SCALE

PROJECT

DESCRIPTION

DATE

BY

CHECKED BY

DATE

SCALE

PROJECT

DESCRIPTION

DATE

BY

CHECKED BY

DATE

SCALE

PROJECT

DESCRIPTION

DATE

BY

CHECKED BY

DATE

SCALE

PROJECT

DESCRIPTION

DATE

BY

CHECKED BY

DATE

SCALE

PROJECT

DESCRIPTION

DATE

BY

CHECKED BY

DATE

SCALE

PROJECT

DESCRIPTION

DATE

BY

CHECKED BY

DATE

SCALE

PROJECT

DESCRIPTION

DATE

BY

CHECKED BY

DATE

SCALE

PROJECT

DESCRIPTION

DATE

BY

CHECKED BY

DATE

SCALE

PROJECT

DESCRIPTION

DATE

BY

CHECKED BY

DATE

SCALE

PROJECT

DESCRIPTION

DATE

BY

CHECKED BY

DATE

SCALE

PROJECT

DESCRIPTION

DATE

BY

CHECKED BY

DATE

SCALE

PROJECT

DESCRIPTION

DATE

BY

CHECKED BY

DATE

SCALE

PROJECT

DESCRIPTION

DATE

BY

CHECKED BY

DATE

SCALE

PROJECT

DESCRIPTION

DATE

BY

CHECKED BY

DATE

SCALE

PROJECT

DESCRIPTION

DATE

BY

CHECKED BY

DATE

SCALE

PROJECT

DESCRIPTION

DATE

BY

CHECKED BY

DATE

SCALE

PROJECT

DESCRIPTION

DATE

BY

CHECKED BY

DATE

SCALE

PROJECT

DESCRIPTION

DATE

BY

CHECKED BY

DATE

SCALE

PROJECT

DESCRIPTION

DATE

BY

CHECKED BY

DATE

SCALE

PROJECT

DESCRIPTION

DATE

BY

CHECKED BY

DATE

SCALE

PROJECT

DESCRIPTION

DATE

BY

CHECKED BY

DATE

SCALE

PROJECT

DESCRIPTION

DATE

BY

CHECKED BY

DATE

SCALE

PROJECT

DESCRIPTION

DATE

BY