

Light is entertainment in full spectrum

The right lamp for every job

The all new Lok-it!® Power Series gives you the most powerful, performance-oriented range of lamps.

Light is OSRAM

OSRAM

Let there be lights

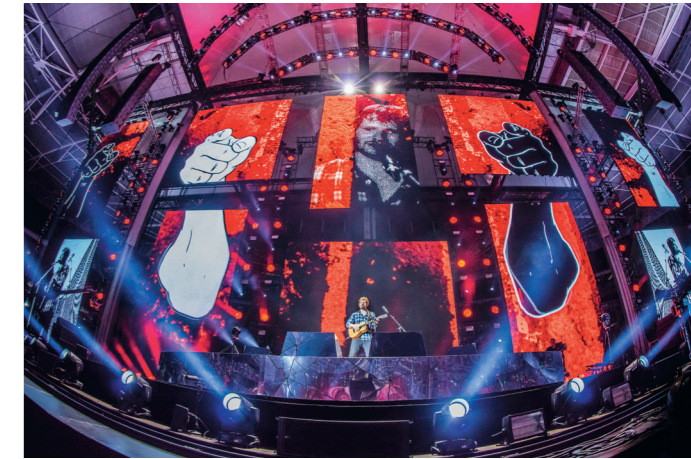
Stage performances, light shows, theatre and opera, clubs, TV studios – there’s a growing number of applications high performance lamps need to cover. That is why we have enhanced our Lok-it!® Power Series family to meet an even broader range of applications. Now there are specific lamps suited to the specific needs of the production – all easily identifiable from one another by the name, label, and the lamp base itself.



Light is enthusiasm. Celebrations at the Brandenburg Gate in Berlin, Germany, marking the 25th anniversary of the fall of the Berlin Wall.

© Ralph Larmann

A clearly defined spotlight sets the stage for a vivid concert experience with natural and brilliant lighting.



© Ralph Larmann

The right lamp for every job

Next to the new and improved standard Lok-it!® 1000/PS, three new varieties take the stage: The all new Brilliant versions with CRI of 95, Blue with an intense 7,500 K CCT, and Beam with a short 4 mm electrode gap.

Name	Feature	Benefit	Key Application
Lok-it!®/PS	950 h	Stable performance and reliability	Concert lighting
Lok-it!®/PS Brilliant	CRI >95	Life-like colors and natural skin tones	Theater lighting
Lok-it!®/PS Blue	7500 K	Bright whites for cutting through the other colors on stage	Concert lighting
Lok-it!®/PS Beam*	Shorter electrode gap	Clearly defined spotlight for sharp beam	Concert lighting

* available soon

OSRAM Lok-it!® Power Series: re-launched with options for every application

The re-launched OSRAM Lok-it!® Power Series packs a lot of power. Now with versions that offer a high CRI of >90 across the range and special features, such as boosting or improved thermal resistance, the Lok-it!® Power Series has never been so powerful. Designed to give you broader versatility to meet the needs of a wide array of applications, the latest Power Series lamps provide top performance you can rely on.

The OSRAM Lok-it!® Power Series offers:

- Natural tone of light with CRI as high as 95
- Compact size and short arc gap for use in smaller and brighter fixtures
- Higher luminous efficiency than standard HID lamps
- Optimized filling for uniform light emission and reduced output in the green wavelengths common to HID lamps
- “Plug-and-play” base PGJX28 or PGJX36
- OSRAM PGJX28 and PGJX36 ceramic bases allow a high resistance to high voltage up, to 35kV

* available soon

Triple Power Effect

The OSRAM Lok-it!® Power Series comes with Triple Power, identified by the symbols which appear on the outside of the box:



Power Color

New filling, as well as optimized electrodes and bulb geometry, make for a high CRI of >90.



Power Heat

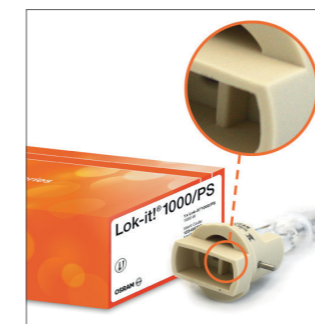
With ZrO₂ coating, eXtreme Seal (XS) Technology and additional improvements, we achieved thermal resistance of ~ 500°C.



Power Boost

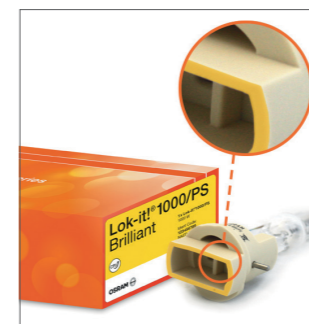
The improved ceramic base and burner design with an optimized filling, allows the lamp to be driven higher on demand.

The lamps can also be identified by the color on the bottom of the base making it easier than ever to choose the right lamp.



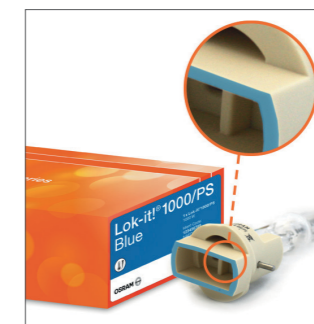
Lok-it!® 1000/PS

The standard lamp of the Lok-it!® series comes with a newly-designed cutout in the base, which enables improved heat management in the moving head.



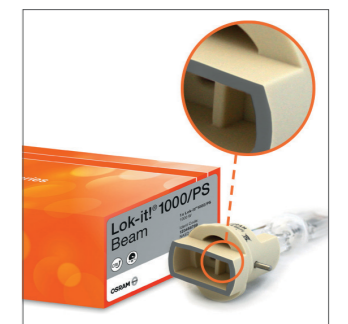
Lok-it!® 1000/PS Brilliant

When color brilliance has to be key, the all new Lok-it!® 1000/PS Brilliant and Lok-it!® 1400/PS Brilliant impress with lifelike colors, thanks to their high CRI of >95



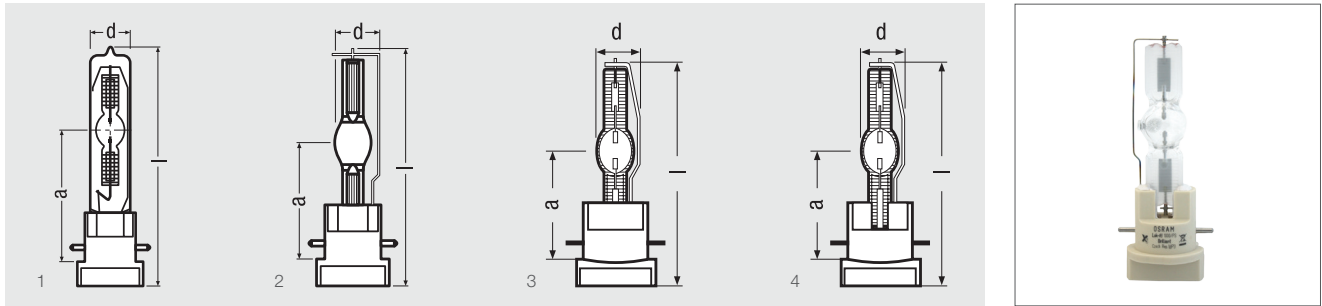
Lok-it!® 1000/PS Blue

Crisp light at the switch of a button? The all new Lok-it!® 1000/PS Blue delivers 7.500 Kelvin light-power.



Lok-it!® 1000/PS Beam*

If you are focusing on long-throw applications, the Lok-it!® 1000/PS Beam* with 4 mm electrode gap is right for you.



Lok-it!® lamp types

Product Name	IC	Product Number	W	V	A	t _h	lm
Lok-it!® metal halide lamp							
Lok-it!® HSD 300W/80/P28	AA32460002G	4008321644831	300	95	3.2	2000	27000
Lok-it!® HTI 400W/60/P28	A74312E002G	4008321605481	400	67	6	750	30000
Lok-it!® HTI 700W/75/P28	AA52553002G	4008321510549	700	100	11	750	50000
Lok-it!® HTI 700W/75/P50	A635211022G	4008321485205	700	100	10	750	50000
Lok-it!® HTI 700W/60/P28	A63963E012G	4052899179790	700	60	11.6	750	50000
Lok-it!® HTI 1500W/60/P50	A72522C002G	4008321553416	1500	100	15	750	135000
Lok-it!® HTI 1500W/60/P50 M3W	AA41963002G	4008321818997	1500	100	15	750	130000

Lok-it!® Power Series

Lok-it!® 1000/PS	AB43733002G	4052899965157	1000	85	12	950	85000
Lok-it!® 1000/PS Beam*							
Lok-it!® 1000/PS Blue	AB43739002G	4052899965171	1000	71	14	750	70000
Lok-it!® 1000/PS Brilliant	AB43736002G	4052899965164	1000	85	12	750	82000
Lok-it!® 1400/PS Brilliant	AB43740002G	4052899965195	1400	90	15.5	750	120000
Lok-it!® 1700/PS	AB43741002G	4052899965201	1700	85	20	750	135000

Product Name	K	R _a	d [mm]	l [mm]	LCL a [mm]	PGJX	No.
Lok-it!® metal halide lamp							
Lok-it!® HSD 300W/80/P28	8000	> 85	23	121	67	5	PGJX28
Lok-it!® HTI 400W/60/P28	6000	> 85	17	103	56	3.5	PGJX28
Lok-it!® HTI 700W/75/P28	7500	> 85	20	125	65	4	PGJX28
Lok-it!® HTI 700W/75/P50	7500	85	18	128	65	4	PGJX50
Lok-it!® HTI 700W/60/P28	6000	> 85	18	112	56	4	PGJX28
Lok-it!® HTI 1500W/60/P50	6000	> 85	26	128	65	5.8	PGJX50
Lok-it!® HTI 1500W/60/P50 M3W	6000	> 85	26	128	65	7	PGJX50

Lok-it!® Power Series

Lok-it!® 1000/PS	6000	> 85	21	112	56	5.5	PGJX36
Lok-it!® 1000/PS Beam*							
Lok-it!® 1000/PS Blue	7500	> 85	21	112	56	5.5	PGJX28
Lok-it!® 1000/PS Brilliant	5900	95	21	112	56	5.5	PGJX36
Lok-it!® 1400/PS Brilliant	6000	95	22	125	60	5.5	PGJX28
Lok-it!® 1700/PS	6000	92	22	125	60	5.5	PGJX28

* available soon

OSRAM GmbH

Head office: Professional and Industrial Applications (PIA):

Marcel-Breuer-Strasse 6
80807 Munich, Germany
Phone +49 89 6213-0
Fax +49 89 6213-2020
www.osram.com

Nonnendammallee 44
13625 Berlin
Germany

