

Application

Beam style	Variable-spread, soft-edged beam
Suitable for	Theatres, TV studios, architectural and commercial applications
Specification level	Professional range
Beam angle	14°-55° (1/2 P.A.)
Typical throw distance	2 – 10m

Electrical specifications

Light source	120W LED, RGBW
Supply Volts	100/260V AC single phase
Frequency / Current	50/60Hz – 0.42A @ 230V AC or 0,9 A @ 110V AC
Power consumption	135W at full power
Cable/connection	1,6m mains cable with fitted Neutrik powercon IN and OUT, supplied
Standards Compliance	EN60598-2-17, CE marked

Mechanical specifications

Construction	Extruded aluminium and sheet steel
Mounting & suspension	Steel stirrup 12mm centre hole + DIN mounting.
Handle	Rear
Weight/Packed weight	5,9 kg / 7,10kg
Colour frame	Metal, 150 x 150mm, accessory

Operational specifications

Focus adjustment	Screw focus with control at rear
Beam Shaping	Using barndoor accessory
DMX channels / connection	6 or 7 ch / XLR5 connectors, IN/OUT
Colours	RGBW
Dimming	From rear panel encoder or remote, 8 or 16 bits via DMX signal
LED temperature	Built-in sensor for real time monitoring
Ambient temperature	35°C max.
Fan speed control	3 modes available: Silent/Auto/Constant
Fade curves	2 curves (linear, square)
LED Frequency	16KHz – Flicker free
LCD display	Set-up, dmx, monitor, diagnostics
RDM	Integrated

Optical specifications

Optical system	120mm diameter high quality Fresnel lens
LED array	RGBW, round-shaped, replaceable
Rated LED life	50,000 hours at 25°C, maintain 70 % original intensity
Beam colour temperature	Any, from RGBW colour mixing
CRI (Colour Rendering Index)	> 90

Accessories

Metal colour frame	■ 20100103 □ 20100103B □ 20100103C
4-leaf barndoor	■ 20100301 □ 20100301B □ 20100301C
Hook clamp	20100900 Safety bond 20101300
Remoto - software upload	20702072

Photometric data

Spot	* half-peak angle									
Beam dia.*	0.5	0.7	1.0	1.2	1.5	1.7	2.0	2.2	2.5	m
R	2362	1050	590	378	262	192	147	116	95	lux
G	4147	1842	1036	663	460	338	258	204	166	lux
B	367	163	92	59	41	30	22	18	15	lux
W	5250	2333	1312	840	589	429	329	260	210	lux
Full	10762	4783	2691	1722	1195	879	673	531	430	lux
Distance	2	3	4	5	6	7	8	9	10	m

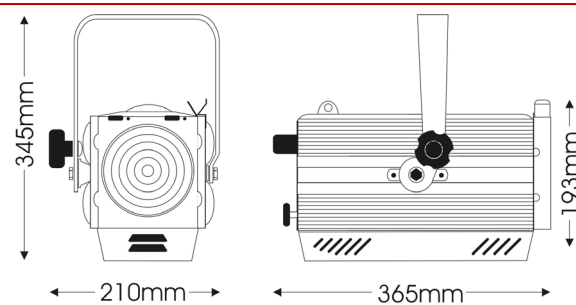
Flood	* half-peak angle									
Beam dia.*	2.1	3.1	4.2	5.2	6.2	7.3	8.3	9.4	10.4	m
R	472	210	117	76	52	39	29	23	19	lux
G	735	327	183	117	82	60	46	37	29	lux
B	236	105	59	38	26	19	15	12	10	lux
W	656	291	169	105	72	54	41	31	26	lux
Full	1575	700	393	252	175	128	98	78	63	lux
Distance	2	3	4	5	6	7	8	9	10	m

LUCI DELLA RIBALTA PROFESSIONAL LIGHTING PRODUCTS

Cetra f100 RGBW

120W, 100/260VAC, DMX512
LED Fresnel Luminaire

part # ■ 01101200 □ 01101201 □ 01101202



Stylish, compact and high efficiency RGBW led power source, fresnel luminaire featuring 120mm diameter Fresnel lens and DMX/RDM controllable for 16 bit dimming and infinite colour beams.

Cetra is ideal in all those applications where heat and energy saving are a concern. Its attractive design makes it the obvious choice in shop displays, art displays and architectural applications where a theatrical-type luminaire is needed.

A full range of accessories complements the range.

Cetra F is also available with 3200 or 5600K, white light, on demand with 2800/6000K tunable white light, with PO stirrup and with black, white or silver paint finish.



Luci della Ribalta srl
Via Berna 14
46042 Castel Goffredo (MN), Italy
tel: +39 0376 771777

www.ldr.it info@ldr.it

issue: ap ©2020. LDR reserves the right to alter the specification without prior notice.