

## Application

Beam style	variable-spread, soft-edged beam
Suitable for	medium to large scale theatre
Specification level	professional range
Beam angle	10° - 56°
Typical throw distance	2 – 15m

## Electrical specifications

Supply Volts	230/240V AC single phase
Max. Lamp Watts	1200W
Lamp base	GX9.5
Auto-disconnect	double-pole microswitch
Cable/connection	1.5m, 3 x 1.5mm <sup>2</sup> flexible cable to bare ends
Standards Compliance	EN60598-2-17, CE marked

## Mechanical specifications

Paint/Finish	black, white or silver epoxy powder paint
Lamp House Construction	extruded aluminium and sheet steel
Reflector	100mm diameter aluminium
Lens	150mm diameter Fresnel
Mounting & suspension	steel stirrup with 12mm centre hole and DIN mounting. Stirrup rotates 360° around the body of the luminaire
Rear handle	yes
Weight/Packed weight	5.8kg / 7.2kg
Packed volume	0.05m <sup>3</sup>
Filter cut size	185 x 185mm
Accessory runners	3 slots
Safety guard	included
Colour frame	metal, 185x185mm, supplied
Lamp access	hinged base
Lens access	front and via lamp access

## Operational specifications

Focus adjustment	screw-focus with front and rear control
Working position	max. tilting ±90° from horizontal
Beam Shaping	using barndoor accessory
Positional adjustment	single rim-clamp tilt lock

## Lamp types

650W 230V	CP67 3200K 120 hrs / T21 3000K 900 hrs
1000W 230V	CP70 3200K 240 hrs / T19 3050K 900 hrs
1200W 230V	CP90 3200K 240 hrs / T29 3000K 480 hrs
1000W 115/120V	T11 3050K 750 hrs GE88515

## Accessories

Spare metal colour frame	■20100106 □20100106B ■20100106C
Spare safety guard	■20100206 □20100206B ■20100206C
4-leaf barndoor, aluminium	■20100306 □20100306B ■20100306C □■20100306D ■■20100306E
Hook clamp	20100900
Safety bond	20101300

## Photometric data

Spot focus	CP90									
Beam dia.	1.2	1.4	1.6	1.7	1.9	2.1	2.3	2.4	2.6	m
lux	2612	2000	1580	1280	1058	889	757	653	569	
Distance	7	8	9	10	11	12	13	14	15	m

## Flood focus

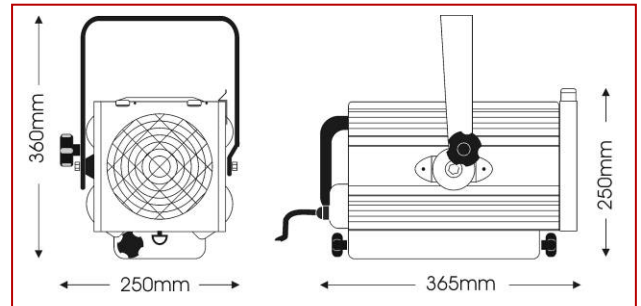
Beam dia.	2.1	3.2	4.3	5.3	6.4	7.4	8.5	9.6	10.6	m
lux	3200	1422	800	512	356	261	200	158	128	
Distance	2	3	4	5	6	7	8	9	10	m

# nota® f1200 plus

## 650W – 1200W

### fresnel

part number : ■10851000 □10851001 ■10851002



Quality 1/1200W fresnel spotlight including screw focus, variable spread, soft-edged beam, front hinging lamp tray, tilt lock and double-microswitch interlock for safe lamp replacement.

A colour frame, safety guard and 1.5m mains cable are included as standard.