



## KL FRESNEL 6™

KL FRESNEL 6™ is a 150W 3,000K >95CRI Warm White LED fresnel, producing over 6,500 total lumen output, on par with compatible tungsten halogen models. Features include manual and DMX control, 15° to 38° wide manual zoom, manual and DMX controlled dimmer and shutter, dimmer and zoom rotary dials, smooth 16-bit selectable dimming modes and curves, LED refresh rate frequency adjustment for flicker free operation for TV and FILM, removable barn doors (included), RDM (remote device management) protocol support, 3/5pin DMX and Locking Power Cable in/out connections, 4 button control panel, LCD menu display, multiple unit power linking, a universal auto switching power supply (100-240v), gel frame and rotating bar doors (included), and a 3 clamp position adjustable mounting yoke.



### FEATURES

- 150W 3,000K >95CRI Warm White LED Engine
- 6,500+ Total Lumen Output
- Output On Par with Tungsten Halogen Models
- 15° to 38° Wide Manual Zoom
- Manual and DMX Controlled Dimmer and Shutter
- Dimmer and Zoom Rotary Dials
- Smooth 16-bit Selectable Dimming Modes and Curves
- LED Refresh Rate Adjustment
- Flicker Free Operation for TV and FILM
- RDM (Remote Device Management)
- Gel Frame and Rotating Barn Doors (included)
- 3 Clamp Position Adjustable Mounting Yoke



**SPECIFICATIONS**

**SOURCE**

150W >95CRI 3,000K Cool White LED  
 50,000 Hour Average LED Life\*

\*May vary depending on several factors including but not limited to:  
 Environmental Conditions, Power/Voltage, Usage Patterns (On-Off Cycling), Control and Dimming.

**PHOTOMETRIC DATA**

6,500+ Total Lumen Output  
 17,829 LUX 1,656 FC @6.6' (2m) (Min Zoom / Full ON)  
 4,412 LUX 410 FC @6.6' (2m) (Max Zoom / Full ON)

**EFFECTS**

15° - 38° Wide Manual Zoom  
 Electronic Dimmer and Strobe  
 Variable 16-bit Dimming Modes and Curves

**COLOR**

Warm White 3,000K

**CONTROL / CONNECTIONS**

Manual and DMX Controlled Dimmer and Shutter  
 Dimmer and Zoom Rotary Dials  
 (5) DMX Channel Modes (1 / 2 / 3 / 4 / 5)  
 4 Button Control Panel LCD Menu Display  
 RDM (Remote Device Management)  
 Adjustable LED Refresh Rate  
 3/5pin DMX and Locking Power Cable In/Out

**SIZE / WEIGHT**

Length: 19.62" (498.5mm)  
 Width: 10.75" (273mm)  
 Vertical Height: 15.47" (393mm)  
 Weight: 18.5 lbs. (8.4kg)

**ELECTRICAL / THERMAL**

AC 100-240V - 50/60Hz  
 180W Max Power Consumption  
 Multiple Unit Power Linking  
 5°F to 113°F (-15°C to 45°C)

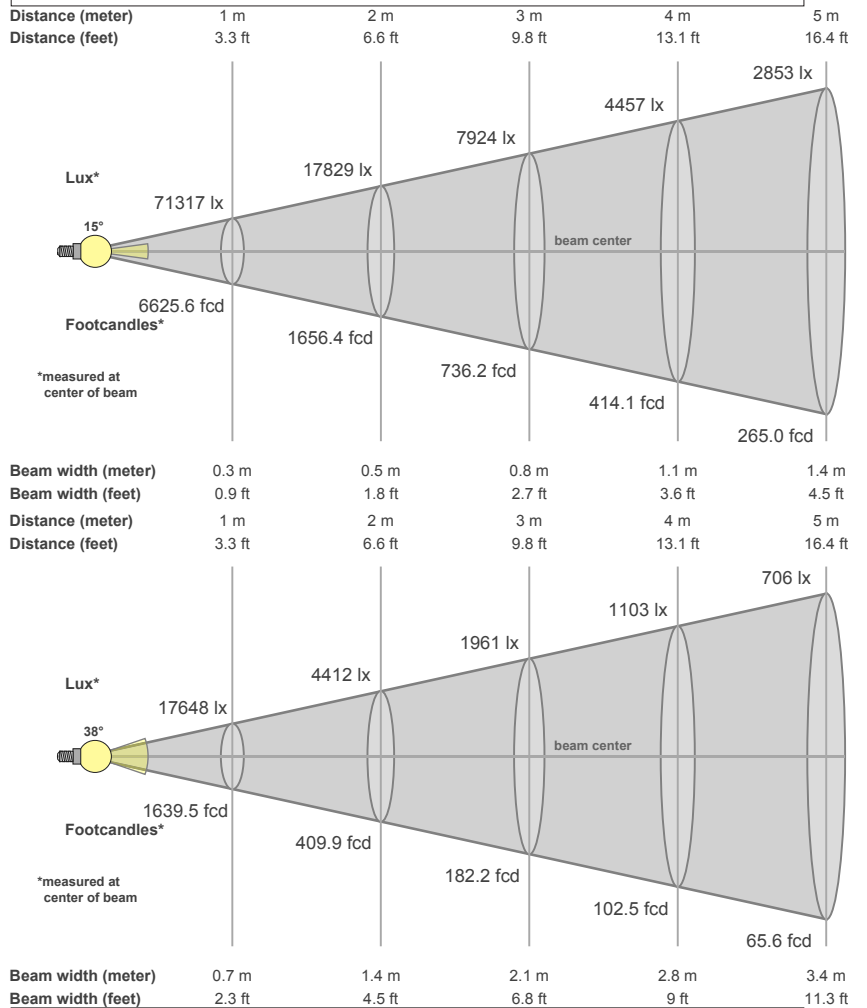
**INCLUDED ITEMS**

Gel Frame and Rotating Barn Doors  
 Locking Power Cable  
 Barn Doors

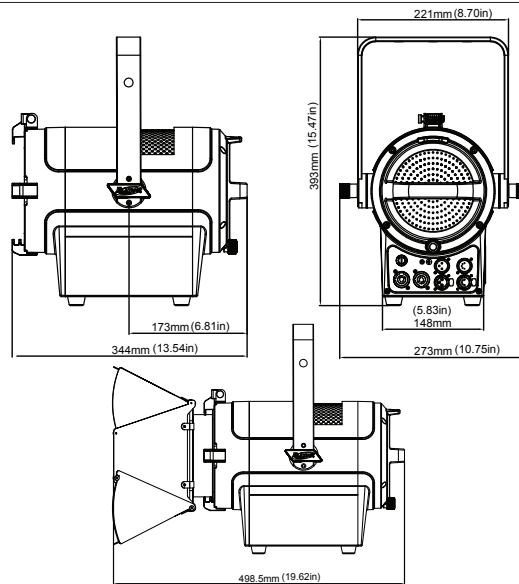
**APPROVALS / RATINGS**



**PHOTOMETRIC DATA**



**DIMENSIONAL DIAGRAMS**



**ORDERING INFORMATION**

<b>KLF012</b>	KL FRESNEL 6
<b>TRIGGER CLAMP</b>	Heavy Duty Wrap Around Hook Style Clamp
<b>ACSPDMXSPRO</b>	5 ft. (1.5m) 5pin PRO DMX Cable (Additional cable lengths available)
<b>NEU088</b>	3 ft. (1m) Locking Power Link Cable (Additional cable lengths available)

