

Application

Beam style	variable-spread, tight-edged beam
Suitable for	theatres, TV studios, architectural and commercial applications
Specification level	professional range
Beam angle	10°- 66°
Typical throw distance	2 – 10m

Electrical specifications

Light source	89W LED, white
Supply Volts	100/260V AC single phase
Frequency / Current	50/60Hz – 0.3A
Power consumption	100W at full power
Cable/connection	1,6m mains cable with fitted Neutrik powercon IN and OUT, supplied
Standards Compliance	EN60598-2-17, CE marked

Mechanical specifications

Construction	extruded aluminium and steel sheet
Mounting & suspension	steel stirrup 12mm centre hole + DIN mounting.
Handle	rear
Weight/Packed weight	6,1 kg / 7,3 kg
Colour frame	metal, 150 x 150mm, supplied

Operational specifications

Focus adjustment	screw focus with control at rear
Beam Shaping	using barndoor accessory
DMX channels / connection	1 to 4 / XLR5 connectors, IN/OUT
Dimmer module	PWM (Pulse Width Modulation)
Dimming	manual, from rear panel or remote, through control desk via DMX signal
LED temperature	built-in sensor for real time monitoring
Ambient temperature	35°C max.
Fan speed control	automatically set and controlled
Fade curves	4 curves (linear, square, LED-HAL, User 1)
LED Frequency	LED frequency control for TV cameras ranging from 3KHz to 460Hz. Manually selectable from rear panel or remotely controlled through DMX

Optical specifications

Optical system	120mm diameter high quality pebble-convex lens
LED array	89W, white, round-shaped, replaceable
Rated LED life	25,000 hours at 25°C
Beam colour temperature	3200K or 5600K
CRI (Colour Rendering Index)	>90

Accessories

Metal colour frame	<input checked="" type="checkbox"/> 20100103	<input type="checkbox"/> 20100103B	<input type="checkbox"/> 20100103C
Safety guard	<input checked="" type="checkbox"/> 20100203	<input type="checkbox"/> 20100203B	<input type="checkbox"/> 20100203C
4-leaf barndoor	<input checked="" type="checkbox"/> 20100301	<input type="checkbox"/> 20100301B	<input type="checkbox"/> 20100301C
Hook clamp	20100900	Safety bond	20101300

Photometric data

Spot	3200K									
Beam dia.	0.3	0.5	0.7	0.9	1.0	1.2	1.4	1.6	1.7	m
lux	14300	6356	3575	2288	1589	1167	894	706	572	
Distance	2	3	4	5	6	7	8	9	10	m

Flood											
Beam dia.	2.6	3.9	5.2	6.5	7.8	9.1					m
lux	2475	1100	619	396	275	202					
Distance	2	3	4	5	6	7					m

Spot	5600K									
Beam dia.	0.3	0.5	0.7	0.9	1.0	1.2	1.4	1.6	1.7	m
Lux	19750	8778	4938	3160	2194	1612	1234	971	786	
Distance	2	3	4	5	6	7	8	9	10	m

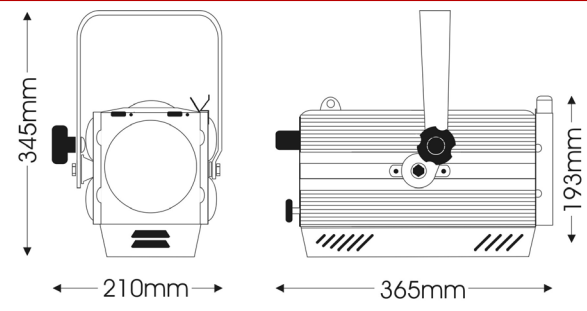
Flood											
Beam dia.	2.6	3.9	5.2	6.5	7.8	9.1					m
Lux	2750	1222	688	440	306	224					
Distance	2	3	4	5	6	7					m

LUCI DELLA RIBALTA PROFESSIONAL LIGHTING PRODUCTS

cetra pc100

89W, 100/260VAC, DMX512
led pebble-convex luminaire

part # 01102000 01102001 01102002 3200K
part # 01102100 01102101 01102102 5600K



Stylish, compact and extremely high efficiency 89W led pebble-convex luminaire featuring a PWM dimming power source.

Cetra is ideal in all those applications where heat and energy saving are a concern. Its attractive design makes it the obvious choice in shop displays, art displays and architectural applications where a theatrical-type luminaire is needed.

Cetra is also available in RGBW colour mixing, with PO stirrup and with black, white or silver paint finish.

A full range of accessories complements the range.



Luci della Ribalta srl
Via Berna 14
46042 Castel Goffredo (MN), Italy
tel: +39 0376 771777
www.ldr.it info@ldr.it
issue: ap ©2020. LDR reserves the right to alter the specification without prior notice.