



## KL FRESNEL 4™

KL FRESNEL 4™ is a 50W 3,000K >97CRI Warm White LED fresnel, producing over 1,900 total lumen output, on par with compatible tungsten halogen models. Features include manual and DMX control, 14° to 30° wide manual zoom, manual and DMX controlled dimmer and shutter, dimmer and zoom rotary dials, smooth 16-bit selectable dimming modes and curves, LED refresh rate frequency adjustment for flicker free operation for TV and FILM, removable barn doors (included), RDM (remote device management) protocol support, 5pin DMX and Locking Power Cable in/out connections, 4 button control panel, LCD menu display, multiple unit power linking, a universal auto switching power supply (100-240v), gel frame and rotating bar doors (included), and a 3 clamp position adjustable mounting yoke.

### FEATURES

- 50W 3,000K >97CRI Warm White LED Engine**
- 1,900+ Total Lumen Output**
- Output On Par with Tungsten Halogen Models**
- 14° to 30° Wide Manual Zoom**
- Manual and DMX Controlled Dimmer and Shutter**
- Dimmer and Zoom Rotary Dials**
- Smooth 16-bit Selectable Dimming Modes and Curves**
- LED Refresh Rate Adjustment**
- Flicker Free Operation for TV and FILM**
- RDM (Remote Device Management)**
- Gel Frame and Rotating Barn Doors (included)**
- 3 Clamp Position Adjustable Mounting Yoke**



ELATION | KL FRESNEL 4 | Product Specification Sheet

Specifications subject to change without notice ©Elation Professional 03/02/19

Elation Professional USA | 6122 S. Eastern Ave. | Los Angeles, CA. 90040  
323-582-3322 | 323-832-9142 fax | [www.elationlighting.com](http://www.elationlighting.com) | [info@elationlighting.com](mailto:info@elationlighting.com)

Elation Professional B.V. | Junostraat 2 | 6468 EW Kerkrade, The Netherlands  
+31 45 546 85 66 | +31 45 546 85 96 fax | [www.elationlighting.eu](http://www.elationlighting.eu) | [info@elationlighting.eu](mailto:info@elationlighting.eu)

**SPECIFICATIONS**

**SOURCE**

50W >97CRI 3,000K Cool White LED  
 50,000 Hour Average LED Life\*

\*May vary depending on several factors including but not limited to:  
 Environmental Conditions, Power/Voltage, Usage Patterns (On-Off Cycling), Control and Dimming.

**PHOTOMETRIC DATA**

1,900+ Total Lumen Output  
 6,837 LUX 635 FC @6.6' (2m) (Min Zoom / Full ON)  
 1,791 LUX 166 FC @6.6' (2m) (Max Zoom / Full ON)

**EFFECTS**

14° - 30° Wide Motorized Zoom  
 Electronic Dimmer and Strobe  
 Variable 16-bit Dimming Modes and Curves

**COLOR**

Warm White 3,000K

**CONTROL / CONNECTIONS**

Manual and DMX Controlled Dimmer and Shutter  
 Dimmer and Zoom Rotary Dials  
 (5) DMX Channel Modes (1 / 2 / 3 / 4 / 5)  
 4 Button Control Panel LCD Menu Display  
 RDM (Remote Device Management)  
 Adjustable LED Refresh Rate  
 5pin DMX and Locking Power Cable In/Out

**SIZE / WEIGHT**

Length: 13.6" (345mm)  
 Width: 7.9" (201mm)  
 Vertical Height: 11.4" (289mm)  
 Weight: 9.0 lbs. (4.08 kg)

**ELECTRICAL / THERMAL**

AC 100-240V - 50/60Hz  
 50W Max Power Consumption  
 Multiple Unit Power Linking  
 5°F to 113°F (-15°C to 45°C)

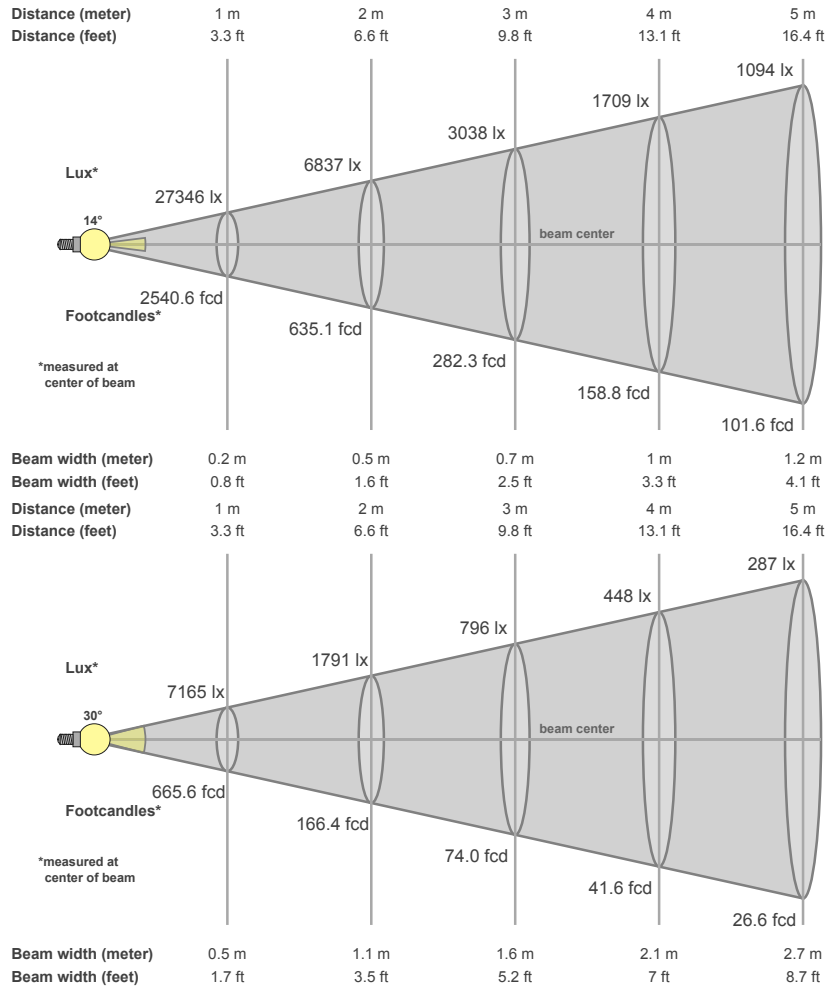
**INCLUDED ITEMS**

Gel Frame and Rotating Barn Doors  
 Locking Power Cable  
 Barn Doors

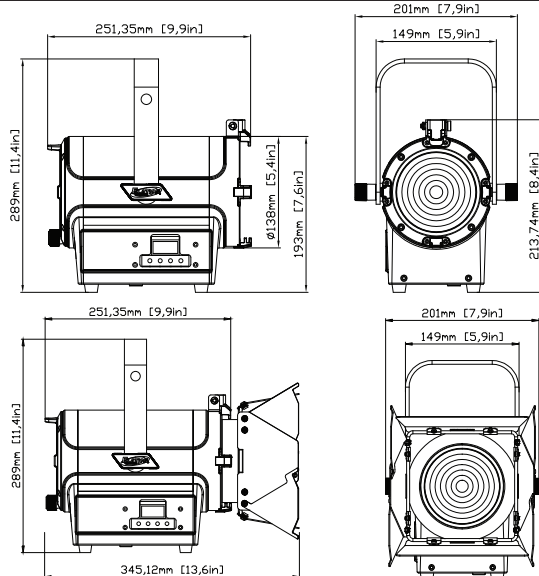
**APPROVALS / RATINGS**



**PHOTOMETRIC DATA**



**DIMENSIONAL DIAGRAMS**



**ORDERING INFORMATION**

<b>KLF001</b>	KL FRESNEL 4
<b>TRIGGER CLAMP</b>	Heavy Duty Wrap Around Hook Style Clamp
<b>ACSPDMX5PRO</b>	5 ft. (1.5m) 5pin PRO DMX Cable (Additional cable lengths available)
<b>NEU088</b>	3 ft. (1m) Locking Power Link Cable (Additional cable lengths available)

