

## Application

Beam style	variable-spread, soft-edged beam
Suitable for	large scale theatre
Specification level	professional range
Beam angle	10° - 70°
Typical throw distance	3 – 20m

## Electrical specifications

Supply Volts	230/240V AC single phase
Max. Lamp Watts	2500W
Lamp base	G22 standard, GY16 on request
Auto-disconnect	double-pole microswitch
Cable/connection	1.5m, 3x2.5mm <sup>2</sup> flexible cable to bare ends
Standards Compliance	EN60598-2-17, CE marked

## Mechanical specifications

Paint/Finish	black epoxy powder paint
Lamp house construction	extruded aluminium and sheet steel
Reflector	87mm diameter borosilicate glass
Lens	200mm diameter Fresnel
Mounting & suspension	steel stirrup with 12mm centre hole and DIN mounting. Stirrup rotates 360° around the body of the luminaire
Rear handle	yes
Weight/Packed weight	9,0kg / 11,6kg
Packed volume	0.10m <sup>3</sup>
Filter cut size	245 x 245mm
Accessory runners	3 slots
Safety guard	included
Colour frame	metal, 245x245mm, supplied
Lamp access	hinged base
Lens access	front and via lamp access

## Operational specifications

Focus adjustment	screw-focus with front and rear control
Working position	max. tilting ±90° from horizontal
Beam Shaping	using barndoor accessory
Positional adjustment	single rim-clamp tilt lock

## Lamp types

2000W G22	CP55, CP75, 3200k 480 hrs
2000W G22	CP92 3200k 400 hrs
2000W GY16	CP72 3200K 480 hrs
2500W G22	CP91 3200K 400 hrs

## Accessories

Spare metal colour frame	20100107
Spare safety guard	20100207
4-leaf barndoor, aluminium	20100307
Hook clamp HD	20101000
Safety bond	20101300

## Photometric data

Spot focus	CP75									
Beam dia.	2.3	2.5	2.7	2.9	3.1	3.3	3.5	3.7	3.9	m
lux	1563	1331	1148	1000	879	779	694	623	563	
Distance	12	13	14	15	16	17	18	19	20	m

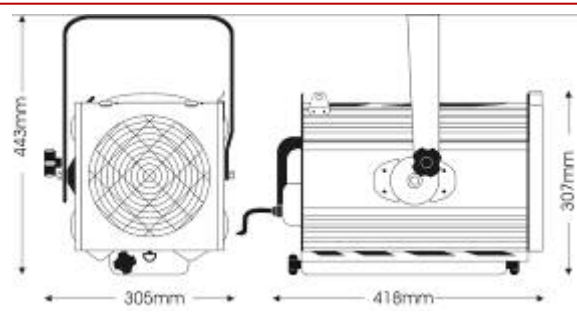
Flood focus										
Beam dia.	4.2	5.6	7.0	8.4	9.8	11.2	12.6	14.0	15.4	m
lux	2200	1238	792	550	404	309	244	198	164	
Distance	3	4	5	6	7	8	9	10	11	m

LUCI DELLA RIBALTA PROFESSIONAL LIGHTING PRODUCTS

# tono<sup>®</sup> f2000 plus

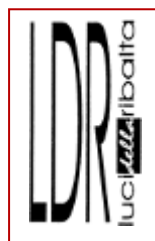
## 2000W – 2500W fresnel

part number : 10901000 10901001 10901002



Compact, lightweight and powerful 2/2.5KW fresnel spotlight. It features an extremely wide beam angle and includes a height adjustable, robust G22 lamp-base, screw focus, strong tilt lock and double-microswitch interlock for safe lamp replacement. A colour frame, safety guard and 1.5m mains cable are included as standard.

On request also available with GY16 lamp-base



Luci della Ribalta srl  
Via Berna 14  
46042 Castel Goffredo (MN), Italy  
tel: +39 0376 771777  
fax: +39 0376 772140  
[www.ldr.it](http://www.ldr.it) [info@ldr.it](mailto:info@ldr.it)

issue: ap ©2020. LDR reserves the right to alter the specification without prior notice.