

FANTEK®

LIFTERS, PLATFORMS & TRUSS

FANTEK INDUSTRIAL S.L.
C/Traginers, 4. P.I. - L'Alter,
Alcàsser - Valencia SPAIN
T +34 961 260 168
fantek@fantek.es

SPARE PARTS MANUAL FOR
TOP LOAD LIFT SYSTEMS

MANUAL DE REPUESTOS PARA
SISTEMAS ELEVADORES DE
CARGA SUPERIOR

FOR MODELS:

FT5023 - FT5023LS

FT6045 - FT7045 - FT8045

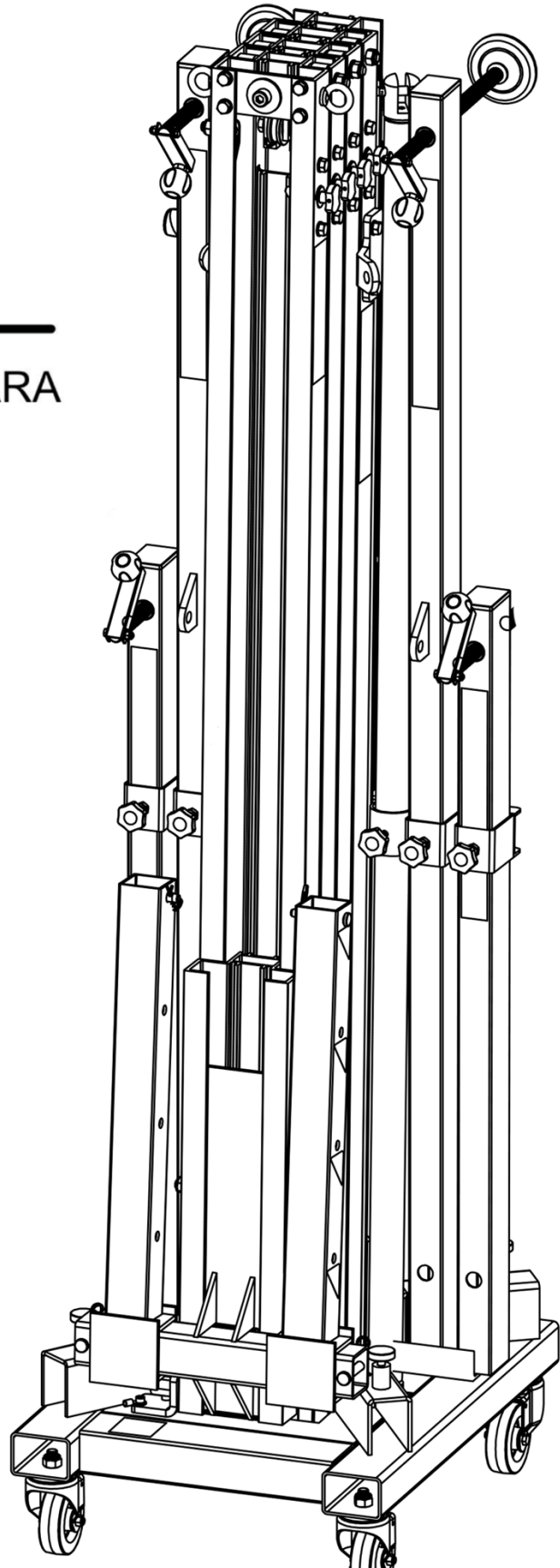
PARA MODELOS:

FT5023 - FT5023LS

FT6045 - FT7045 - FT8045



www.fantek.es



INDICE / INDEX

Contenido

INTRODUCCIÓN	3
INTRODUCTION	4
RECAMBIO BASES / BASES SPARE	5
RECAMBIO PATAS / SPINDLE SPARE.....	7
RECAMBIO PERFILES ESTRUCTURALES / STRUCTURALS PROFILES SPARE.....	8
RECAMBIO PERFIL CARRO / SLEEVE BLOCK PROFILE SPARE	9
RECAMBIO TOPES INTERIORES / INTERNAL STOPS SPARE	10
RECAMBIO PLACA CABESTRANTE / WINCH PLATE SPARE.....	11
RECAMBIO POLEA / PULLEY SPARE	13
RECAMBIO RUEDA TRANSPORTE VOLANTE HORIZONTAL / HORIZONTAL TRANSPORT WHEEL SPARE...	14
RECAMBIO SOPORTE CUERNOS / FORKS SUPPORT SPARE	15
RECAMBIO CONJUNTO POLEA PERFIL INTERNO / SPARE SET PULLEY INTERNAL PROFILE	16
RECAMBIO CONJUNTO POLEA TRAMO BASE / SET PULLEY BASE PROFILE SPARE.....	19
RECAMBIO MOSQUETÓN PERFIL TRAMO FINAL / SAFETY LOCK FINAL PROFILE SPARE.....	21
RECAMBIO MOSQUETÓN PERFIL / PROFILE SAFETY LOCK SPARE.....	22
RECAMBIO MOSQUETON DE SEGURIDAD DE EL CARRO / SLEEVE BLOCK SAFETY LOCK SPARE	23
RECAMBIO PORTA PATAS / LEG CARRIER SPARE	24
RECAMBIO OREJETA MASTIL / EAR MAST SPARE.....	25
RECAMBIO TIRANTE FRONTAL / FRONTAL TIGHT SPARE	26
RECAMBIO TIRANTE TRASERO / REAR TIGHT SPARE.....	27
RECAMBIO CUÑAS / WEDGE SPARE	28
RECAMBIO SISTEMA DE NIVELACION / LEVELING SYSTEM SPARE	29
REPUESTO PORTADOCUMENTOS / DOCUMENTS HOLDER SPARE.....	30
VISERA REFUERZO SUPERIOR / REINFORCEMENT TOP BOOST SPARE	31
ESPARRAGO DEL TRAMO BASE / THREADED ROD OF THE BASE SECTION	32
RECAMBIO ARGOLLA Y PLETINA SUPERIOR / RING AND TOP PLATE SPARE	33
RECAMBIO CABLE / CABLE SPARE	34
RECAMBIO CABRESTANTE CON TORNILLOS / WINCH WITH SCREWS SPARE.....	35
RECAMBIO PEGATINAS / STICKERS SPARE	36

INTRODUCCIÓN

A continuación, se incluyen las partes que conforman los recambios de todos los modelos de torre DE CARGA FRONTAL.

NUM.	MODELO TORRE / TOWER MODEL	REF.	CONTIENE / INCLUDES	
			CANT./QTY	DETALLE / DETAIL
1	FT7045, FT6045, FT5023, FT5023LS, FT8045	SETFTOCU01	1	Cuña / wedge 67x19
			1	Tornillo / screw DIN7991 M10X35
			1	Arandela estándar / estándar washer M11
			1	Tuerca / nut DIN985 M10

- **NUM.** indica el número de referencia del dibujo del set
- **MODELO TORRE / TOWER MODEL** indica la torre al que pertenece.
- **REF.** Indica la referencia del set referido a la torre o torres.
- **CANT./QTY y DETALLE/DETALLE** Indica la cantidad y descripción de elementos que comprende el set de la referencia indicada.

IMPORTANTE

- Para pedir un repuesto sólo es necesario indicar la referencia (REF.) y especificar su cantidad necesaria. Los números que engloban varias piezas simbolizan el pack de piezas que conforman dicho recambio.
- Los repuestos pueden sufrir algún cambio respecto a los dibujos que los representan, pero, a menos que se indique lo contrario, serán totalmente compatibles.
- En muchos de los casos, los repuestos se conforman en sets completos. No se contempla la posibilidad de separar piezas de su conjunto.
- Recuerde que la manipulación y sustitución de estos repuestos están sujetos a su realización por parte de personal cualificado y autorizado. La no observancia de esta norma anularía la garantía.

INTRODUCTION

Next, the parts that make up the spare parts of all frontal load tower models are included.

NUM.	MODELO TORRE / TOWER MODEL	REF.	CONTIENE / INCLUDES	
			CANT./QTY	DETALLE / DETAIL
1	FT7045, FT6045, FT5023, FT5023LS, FT8045	SETFTOCU01	1	Cuña / wedge 67x19
			1	Tornillo / screw DIN7991 M10X35
			1	Arandela estándar / estándar washer M11
			1	Tuerca / nut DIN985 M10

- **NUM.** Indicates the reference number of the drawing in the set.
- **MODELO TORRE / TOWER MODEL** Indicates the model of the tower which contains this set.
- **REF.** Indicates the reference of the set in the tower or towers.
- **CANT./QTY y DETAIL/DETALLE** Indicate the quantity and description of the elements inside the set of the indicated reference.

IMPORTANT

- To order a spare, it is only necessary indicating the reference (REF.) and specify the necessary quantity. The numbers that include several pieces symbolize the pack of pieces that make up this spare part.
- In many cases, the spare parts are grouped in complete sets. The possibility of separating pieces from their set is not contemplated.
- Spare parts may suffer some change with respect to the drawings that represent them, but, unless otherwise indicated, they will be fully compatible.
- Remember that the handling and replacement of these parts are subjected to qualified service and authorized personnel. Failure to comply with this rule would void the guarantee.

RECAMBIO BASES / BASES SPARE

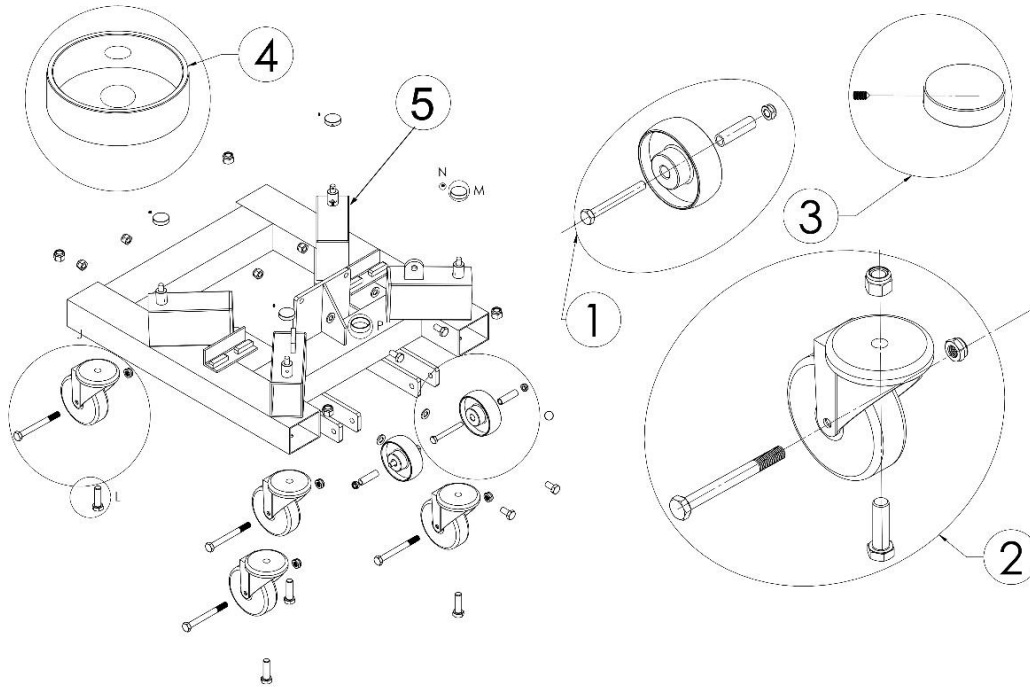


Figure 1

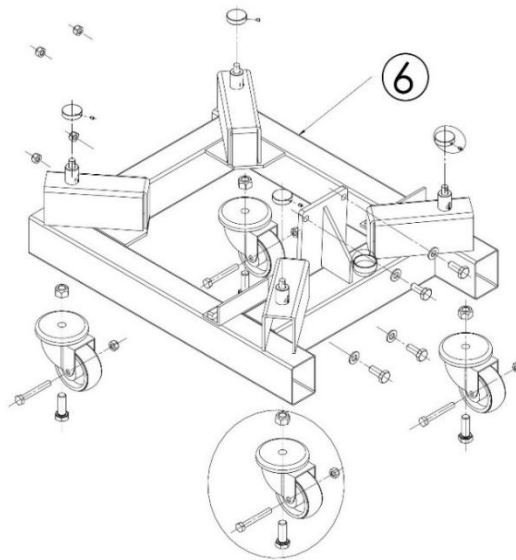
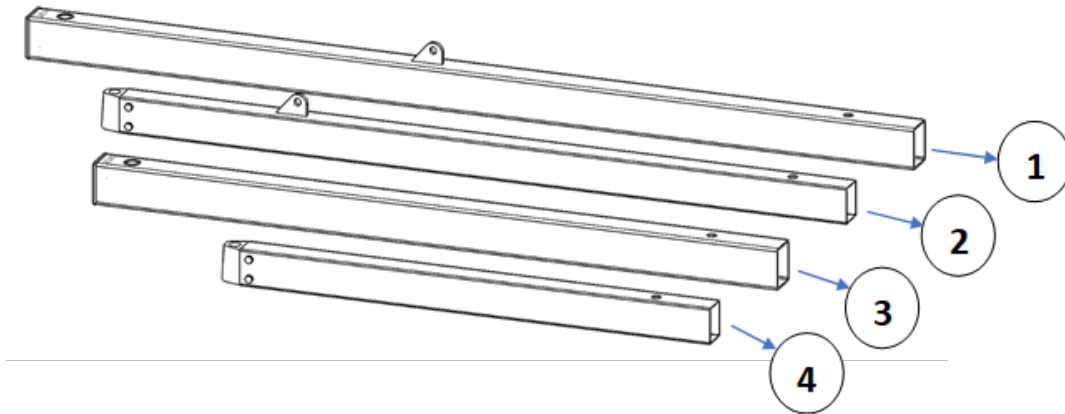


Figure 2

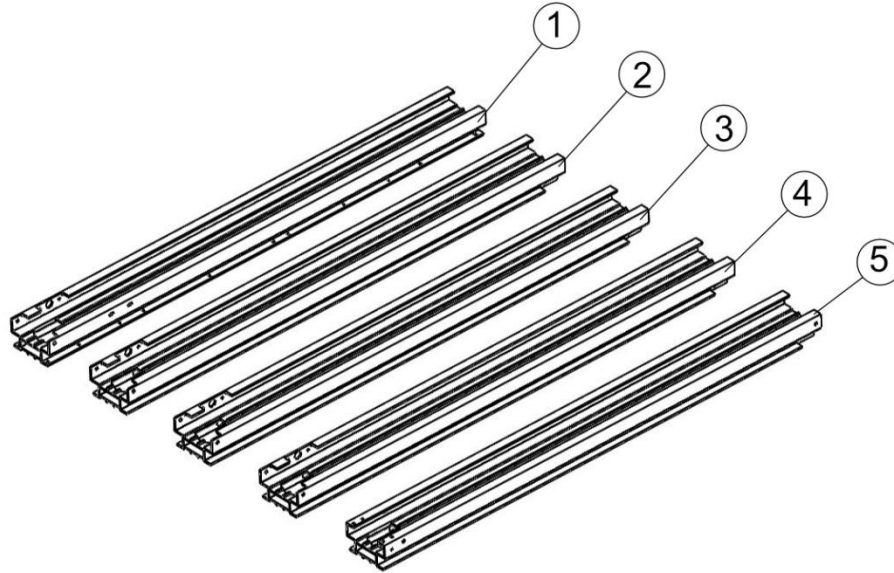
NUM.	MODELO TORRE / TOWER MODEL	REF.	CONTIENE / INCLUDES	
			CANT./QTY	DETALLE / DETAIL
1	FT7045, FT6045	SETFBAAR02	1	Tornillo / screw DIN931 M8x70
			1	Rueda / wheel 80.0/32 NYL LI N
			1	Casquillo adaptador / shell adaptor D10 a D8
			1	Tuerca / nut DIN985 M8
1	FT8045	SETFBAAR03	1	Tornillo / screw DIN931 M8x70
			1	Rueda / wheel 100.0/30 PP N/ GN LI
			1	Casquillo adaptador / shell adaptor D10 a D8
			1	Tuerca / nut DIN985 M8
2	FT7045, FT6045, FT8045	SETFBARU02	1	Tornillo / screw DIN933 M12x35
			1	Rueda / wheel 829.100.1.
			1	Tuerca / nut DIN985 M12
2	FT5023, FT5023LS	SETFBARU03	1	Tornillo / screw DIN933 M12x35
			1	Rueda / wheel 829.80
			1	Tuerca / nut DIN985 M12
3	TODAS / ALL	SETFBAPO01	1	Maneta roja / Red handle
			1	Tornillo prisionero / screw DIN914 M4x10
4	TODAS / ALL	SETFBANI01	1	Nivel de burbuja / spirit level D30x10
5	FT6045, FT7045	SETFBASE01	1	Base L=580, a=520
			4	Tuerca / nut DIN985 M10
			4	Arandela / washer DIN125 M10
			4	Tornillo / screw DIN933 M10x30
5	FT8045	SETFBASE20	1	Base L=705, a=477
			4	Tuerca / nut DIN985 M12
			4	Arandela / washer DIN125 M12
			4	Tornillo / screw DIN933 M12x35
6	FT5023, FT5023LS	SETFBASE12	1	Base L=550, a=440
			4	Tuerca / nut DIN985 M10
			4	Tornillo / screw DIN933 M10x30
			4	Arandela / washer DIN125 M10

RECAMBIO PATAS / SPINDLE SPARE



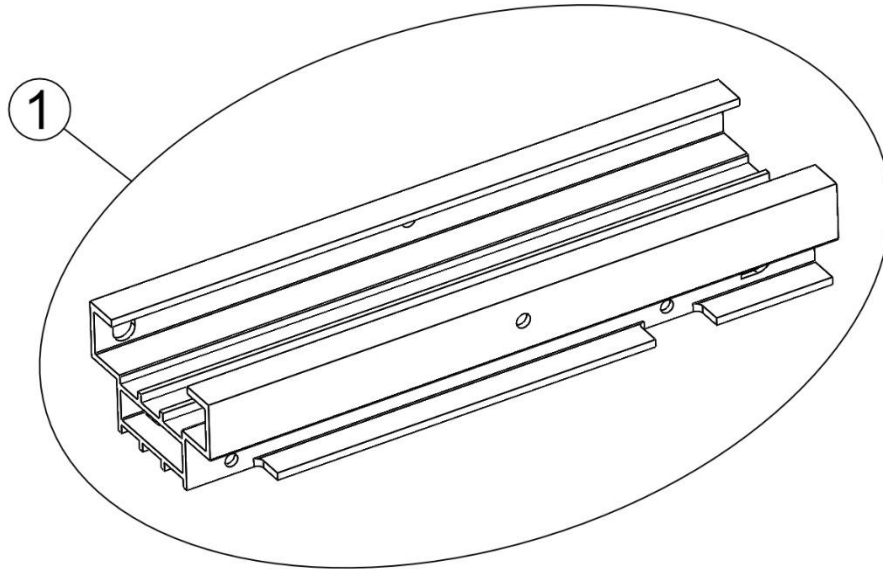
NUM.	MODELO TORRE / TOWER MODEL	REF.	CONTIENE / INCLUDES	
			CANT./QTY	DETALLE / DETAIL
1	FT5023, FT5023LS	SETFPADE01	1	Contera plast. Negra / plastic black cover 40x60
			1	Perfil delantero / frontal profile 60x40x2x 1495 mm
			1	Orejeta / ear PA
			1	Usillo cilindro / cylindrical spindle Ø22x60 M16
2	FT7045	SETFPADE02	1	Perfil delantero / frontal profile 70x50x2x 1430 mm
			1	Orejeta / ear PA
			1	Cabezón de pata / leg head Zamak
			4	Arandela / washer DIN125 M6
			2	Tuerca / nut DIN985 M6
			2	Tornillo / screw DIN931 M6x60
2	FT6045	SETFPADE04	1	Perfil delantero / frontal profile 70x50x2x 1430 mm
			1	Orejeta / ear PA
			1	Cabezón de pata / leg head Zamak
			4	Arandela / washer DIN125 M6
			2	Tuerca / nut DIN985 M6
			2	Tornillo / screw DIN931 M6x60
1	FT8045	SETFPADE10	1	Contera plast. Negra / plastic black cover 80x60
			1	Perfil delantero / frontal profile 80X60X3X1740 mm
			1	Orejeta / ear PA
			1	Usillo cilindro / cylindrical spindle D30x80 M24
3	FT5023, FT5023LS	SETFPATR01	1	Contera plast. Negra / plastic black cover 40x60
			1	Perfil trasero / rear profile 60x40x2x 900 mm
			1	Usillo cilindro / cylindrical spindle Ø22x60 M16
4	FT6045, FT7045	SETFPATR02	1	Perfil trasero / rear profile 70x50x2x 925 mm
			1	Cabezón de pata / leg head Zamak
			2	Arandela / washer DIN125 M6
			2	Tuerca / nut DIN985 M6
			2	Tornillo / screw DIN931 M6x60
3	FT8045	SETFPATR07	1	Contera plast. Negra / plastic black cover 80x60
			1	Perfil trasero / rear profile 80X60X3X1340 mm
			1	Usillo cilindro / cylindrical spindle D30x80 M24

RECAMBIO PERFILES ESTRUCTURALES / STRUCTURALS PROFILES SPARE



NUM.	MODELO TORRE / TOWER MODEL	REF.	CONTIENE / INCLUDES	
			CANT./QTY	DETALLE / DETAIL
1	FT5023, FT5023LS	SETFTRIN03	1	Perfil inicial / base profile 1650 mm
	FT7045	SETFTRIN02	1	Perfil inicial / base profile 1850 mm
	FT6045	SETFTRIN08	1	Perfil inicial / base profile 1650 mm
2	FT5023, FT5023LS	SETFTRME203	1	Perfil intermedio 2 / intermediate 2 profile 1650 mm
	FT7045	SETFTRME202	1	Perfil intermedio 2 / intermediate 2 profile 1850 mm
	FT6045	SETFTRME208	1	Perfil intermedio 2 / intermediate 2 profile 1650 mm
3	FT5023, FT5023LS	SETFTRME303	1	Perfil intermedio 3 / intermediate 3 profile 1650 mm
	FT7045	SETFTRME302	1	Perfil intermedio 3 / intermediate 3 profile 1850 mm
	FT6045	SETFTRME308	1	Perfil intermedio 3 / intermediate 3 profile 1650 mm
4	FT7045	SETFTRME402	1	Perfil intermedio 4 / intermediate 4 profile 1850 mm
	FT6045	SETFTRME408	1	Perfil intermedio 4 / intermediate 4 profile 1650 mm
5	FT5023, FT5023LS	SETFTRFI09	1	Perfil final / final profile 1650 mm
	FT7045	SETFTRFI02	1	Perfil final / final profile 1850 mm
	FT6045	SETFTRFI08	1	Perfil final / final profile 1650 mm
1	FT8045	SETFTRAM01	1	Perfil intermedio 1 / intermediate 1 profile 1945 mm
2		SETFTRAM02	1	Perfil intermedio 2 / intermediate 2 profile 1945 mm
3		SETFTRAM03	1	Perfil intermedio 3 / intermediate 3 profile 1945 mm
4		SETFTRAM04	1	Perfil intermedio 4 / intermediate 4 profile 1945 mm
5		SETFTRAM05	1	Perfil intermedio 5 / intermediate 5 profile 1945 mm
6		SETFTRAM06	1	Perfil intermedio 6 / intermediate 6 profile 1945 mm

RECAMBIO PERFIL CARRO / SLEEVE BLOCK PROFILE SPARE



NUM.	MODELO TORRE / TOWER MODEL	REF.	CONTIENE / INCLUDES	
			CANT./QTY	DETALLE / DETAIL
1	FT5023, FT5023LS	SETFTRCA07	1	Perfil carro / sleeve block profile 515 mm
	FT7045, FT6045	SETFTRCA02	1	Perfil carro / sleeve block profile 515 mm
	FT8045	SETFRAM00	1	Perfil carro / sleeve block profile 705 mm

RECAMBIO TOPES INTERIORES / INTERNAL STOPS SPARE

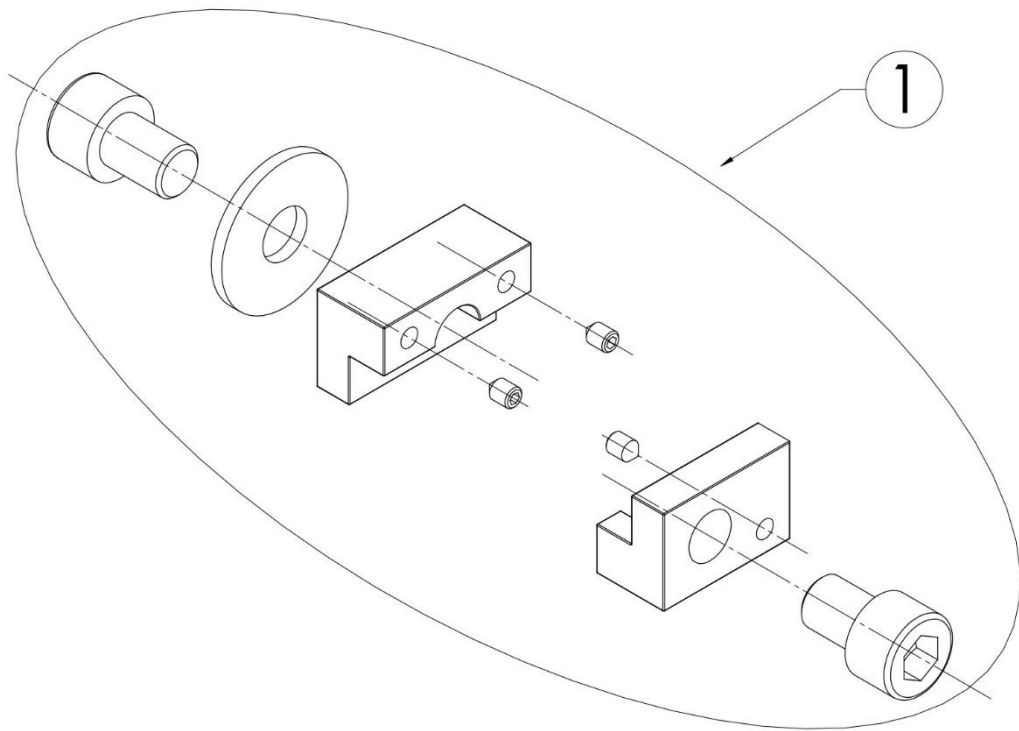
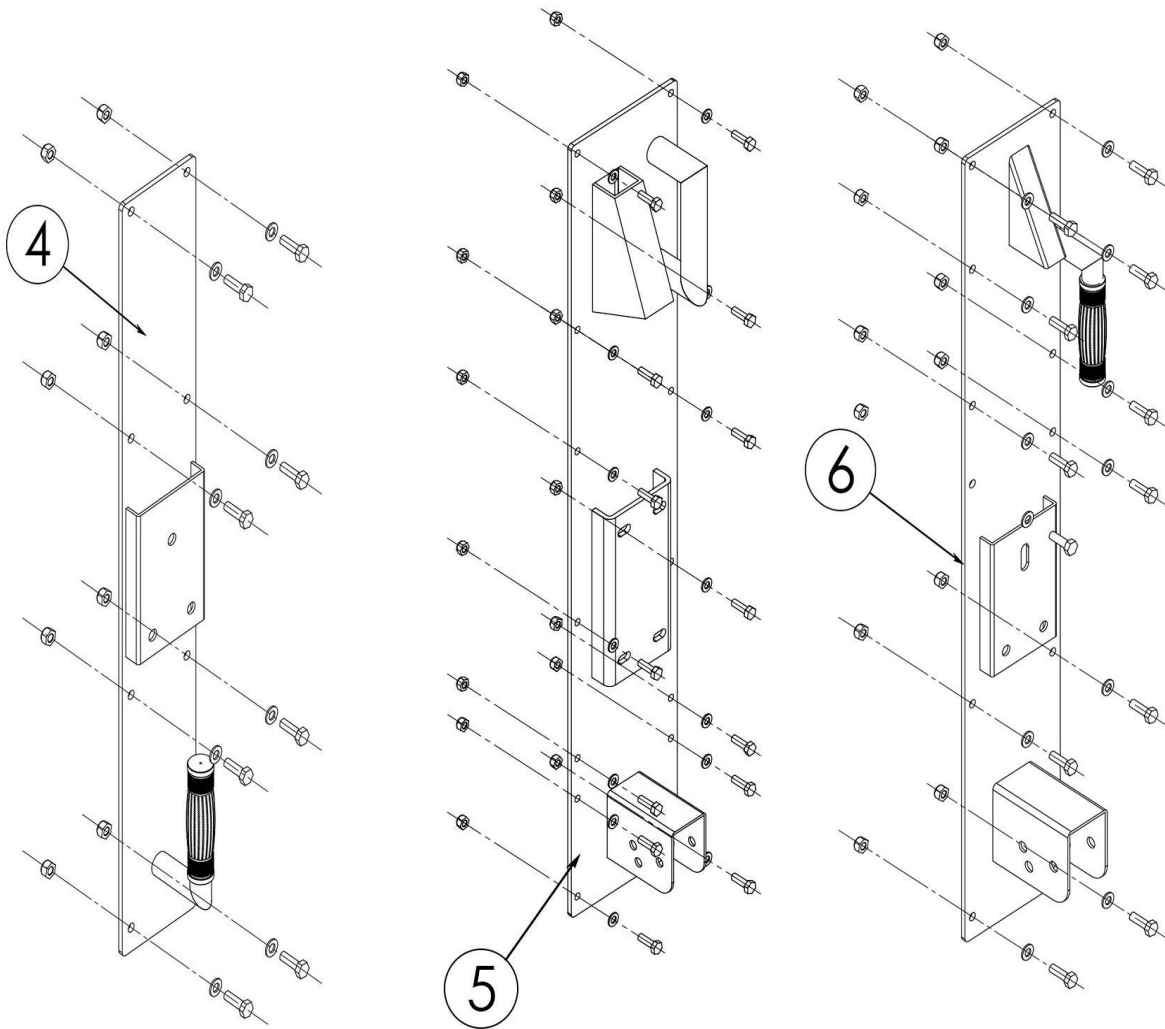


Figure 3

NUM.	MODELO TORRE / TOWER MODEL	REF.	CONTIENE / INCLUDES	
			CANT./QTY	DETALLE / DETAIL
1	FT7045, FT6045, FT5023, FT5023LS	SETFTOSU02	1	Tope superior / up stop
			3	Tornillo prisionero / screw DIN914 M4X6
			1	Arandela / washer DIN9021 M10
			2	Tornillo / screw DIN912 M10X14
			1	Tope inferior / down stop
1	FT8045	SETFTOSU05	1	Tope superior / up stop
			3	Tornillo prisionero / screw DIN914 M4X6
			1	Arandela / washer DIN125 M10
			2	Tornillo / screw DIN912 M10X14
			1	Tope inferior / down stop

RECAMBIOS PLACA CABESTRANTE / WINCH PLATE SPARE



NUM.	MODELO TORRE / TOWER MODEL	REF.	CONTIENE / INCLUDES	
			CANT./QTY	DETALLE / DETAIL
4	FT5023, FT5023LS	SETFCAPL05	1	Placa mástil / Mast plate
			1	Plancha cabrestante/ winch plate
			6	Tornillo / screw DIN933 M8X25
			6	Tuerca / nut DIN985 M8
			6	Arandela / washer DIN125 M8
			1	Asa / handgrip
			1	Manguito negro / Bkck sleeve
6	FT7045	SETFCAPL07	1	Placa mástil / Mast plate
			1	Plancha cabrestante/ winch plate
			12	Tornillo / screw DIN933 M8X25
			12	Tuerca / nut DIN985 M8
			12	Arandela / washer DIN125 M8
			1	Nariz cubrepoleas / nose covers pulleys
			1	U para volantes / u for steering wheels
			1	Asa / handgrip
6	FT6045	SETFCAPL08	1	Manguito negro / Bkck sleeve
			1	Placa mástil / Mast plate
			1	Plancha cabrestante/ winch plate
			10	Tornillo / screw DIN933 M8X25
			10	Tuerca / nut DIN985 M8
			10	Arandela / washer DIN125 M8
			1	Nariz cubrepoleas / nose covers pulleys
			1	U para volantes / u for steering wheels
5	FT8045	SETFCAPL13	1	Asa / handgrip
			1	Manguito negro / Bkck sleeve
			1	Placa mástil / Mast plate
			1	Plancha cabrestante/ winch plate
			12	Tornillo / screw DIN933 M8X25
			13	Tuerca / nut DIN985 M8
			12	Arandela / washer DIN125 M8
			1	Nariz cubrepoleas / nose covers pulleys
1	U para volantes / u for steering wheels			
1	Asa / handgrip			

RECAMBIO POLEA / PULLEY SPARE

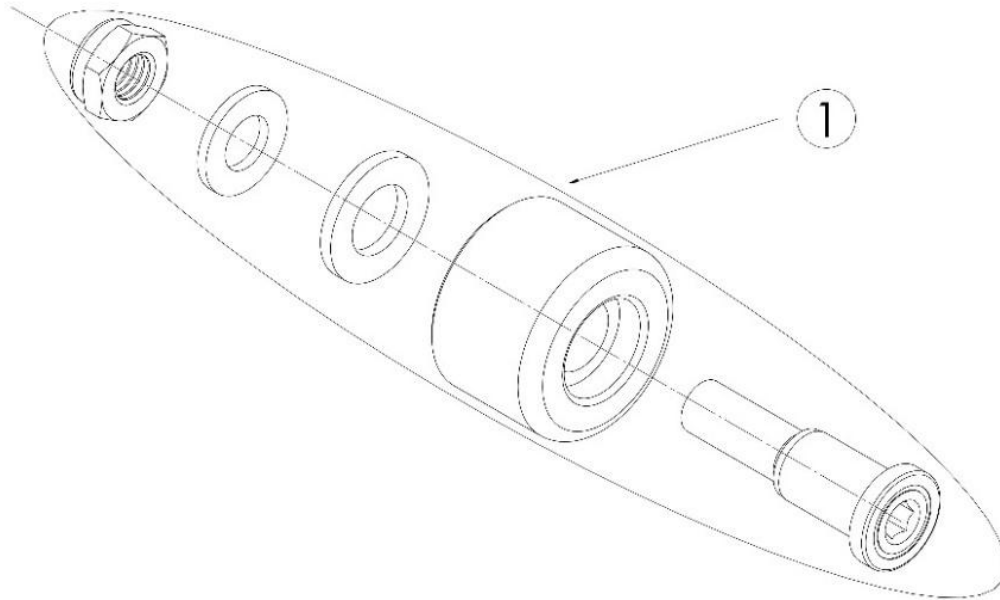


Figure 4

NUM.	MODELO TORRE / TOWER MODEL	REF.	CONTIENE / INCLUDES	
			CANT./QTY	DETALLE / DETAIL
1	FT6045	SETFPODE01	1	Polea plástico técnico / plastic pulley
			1	Tornillo especial / especial screw
			1	Tuerca / nut DIN985 M10
			1	Arandela / washer DIN125 M10
			1	Arandela / washer DIN125 M12
			1	Arandela especial / special washer M12x0,5
			1	Arandela especial / special washer M12x1
1	FT5023, FT7045, FT5023LS	SETFPODE04	1	Polea plástico técnico / plastic pulley
			1	Tornillo especial / especial screw
			1	Tuerca / nut DIN985 M10
			1	Arandela especial / special washer M12 x0,5
			1	Arandela especial / special washer M12 x1
			1	Arandela / washer DIN125 M10
1	FT8045	SETFPODE07	1	Polea plástico técnico / plastic pulley
			1	Tornillo especial / especial screw
			1	Tuerca / nut DIN985 M12
			1	Arandela / washer DIN125 M12
			1	Arandela especial / special washer M12x0,5

RECAMBIOS RUEDA TRANSPORTE VOLANTE HORIZONTAL / HORIZONTAL TRANSPORT WHEEL SPARE

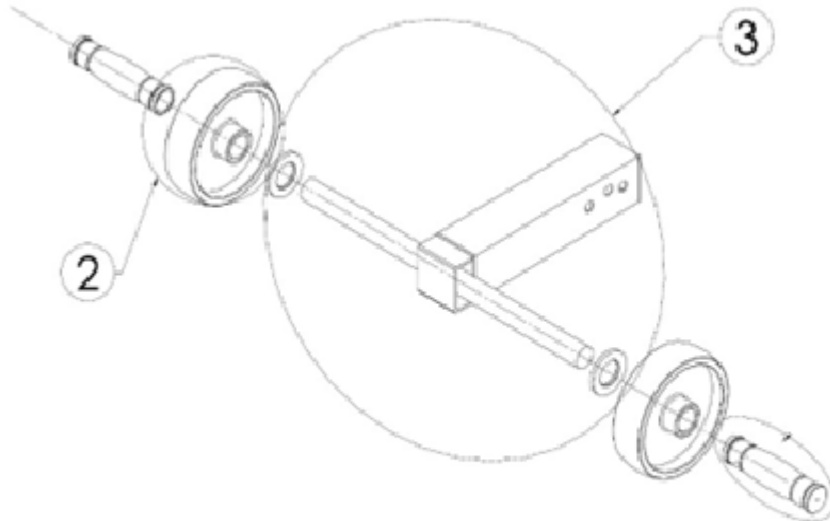


Figure 5

NUM.	MODELO TORRE / TOWER MODEL	REF.	CONTIENE / INCLUDES	
			CANT./QTY	DETALLE / DETAIL
2	FT7045, FT6045, FT8045	SETFVORU01	2	Rueda / wheel Ref.800.125.0/36.NYL ø23
3	FT7045, FT6045, FT8045	SETFVOTR01	1	Soporte transporte horizontal / horizontal transport support
			2	Manguito de goma negra / black rubber handle
			2	Arandela / washer DIN125 M24
			1	Pasador en R / R form pin
			1	Pasador Fantek largo / Fantek large pin
			1	Tuerca / nut DIN985 M10
			1	Tornillo/ screw DIN931 M10x70

RECAMBIO SOPORTE CUERNOS / FORKS SUPPORT SPARE

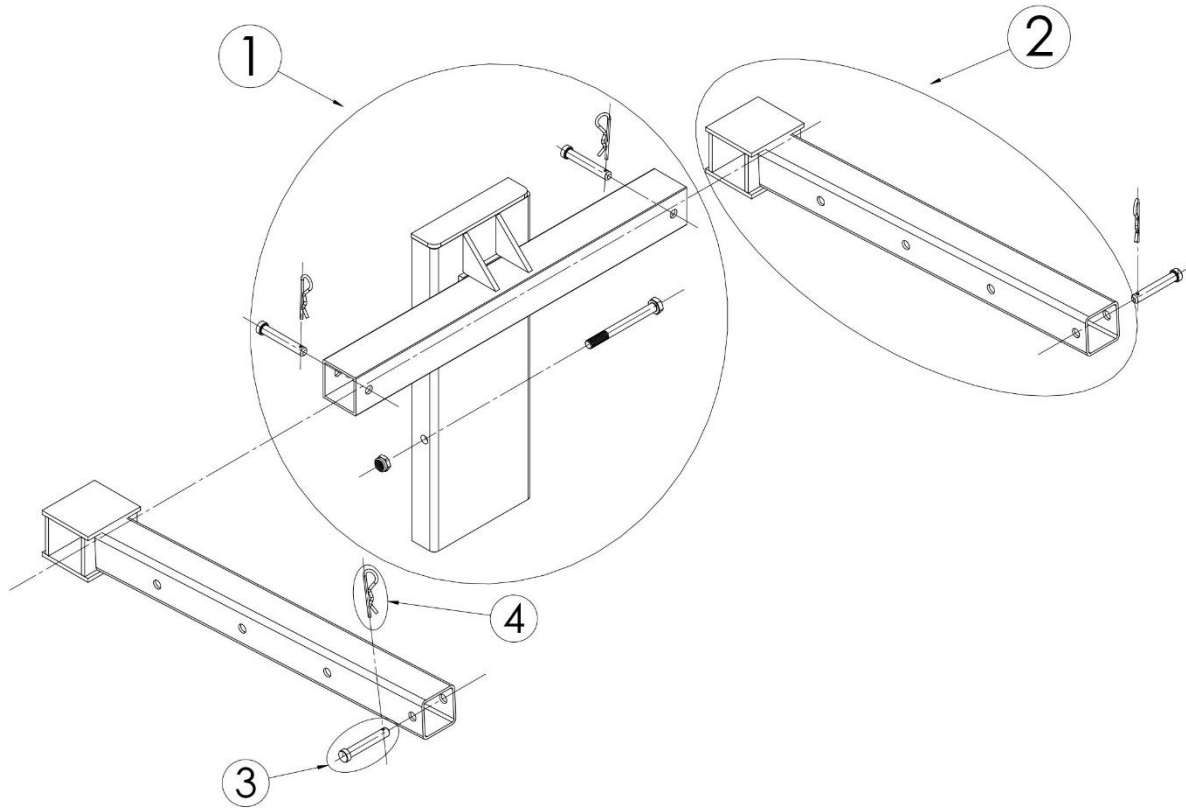
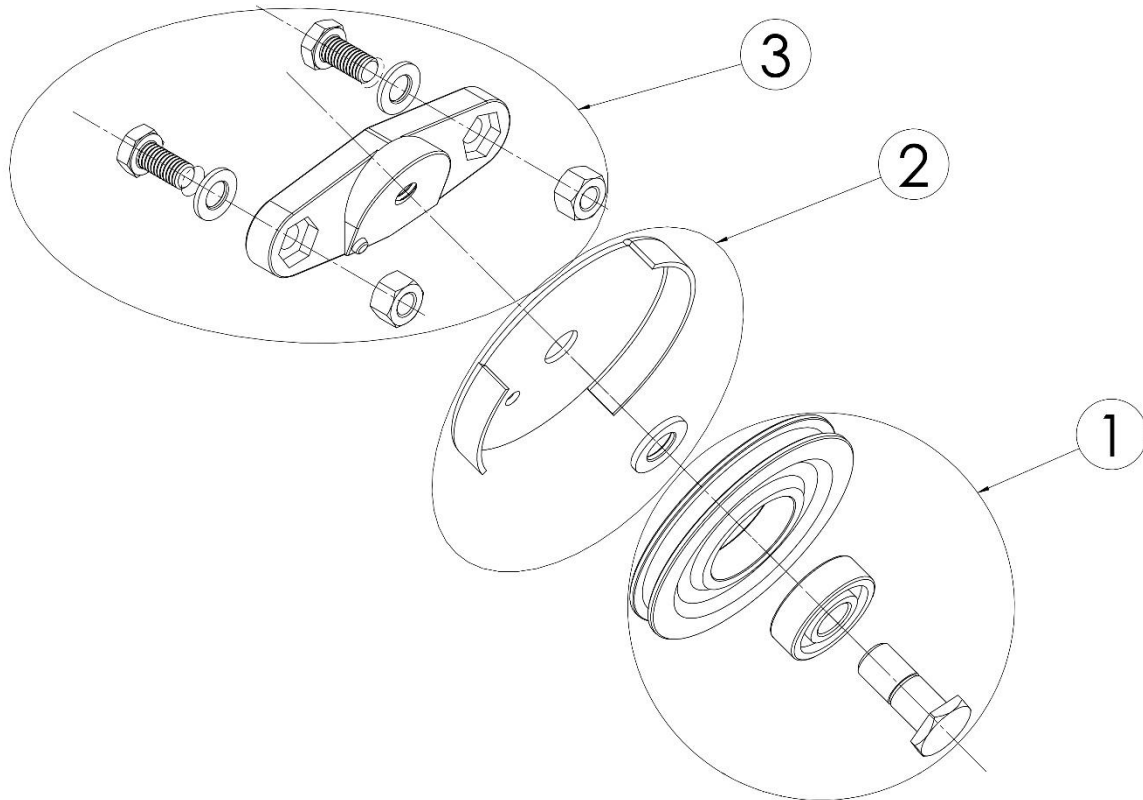


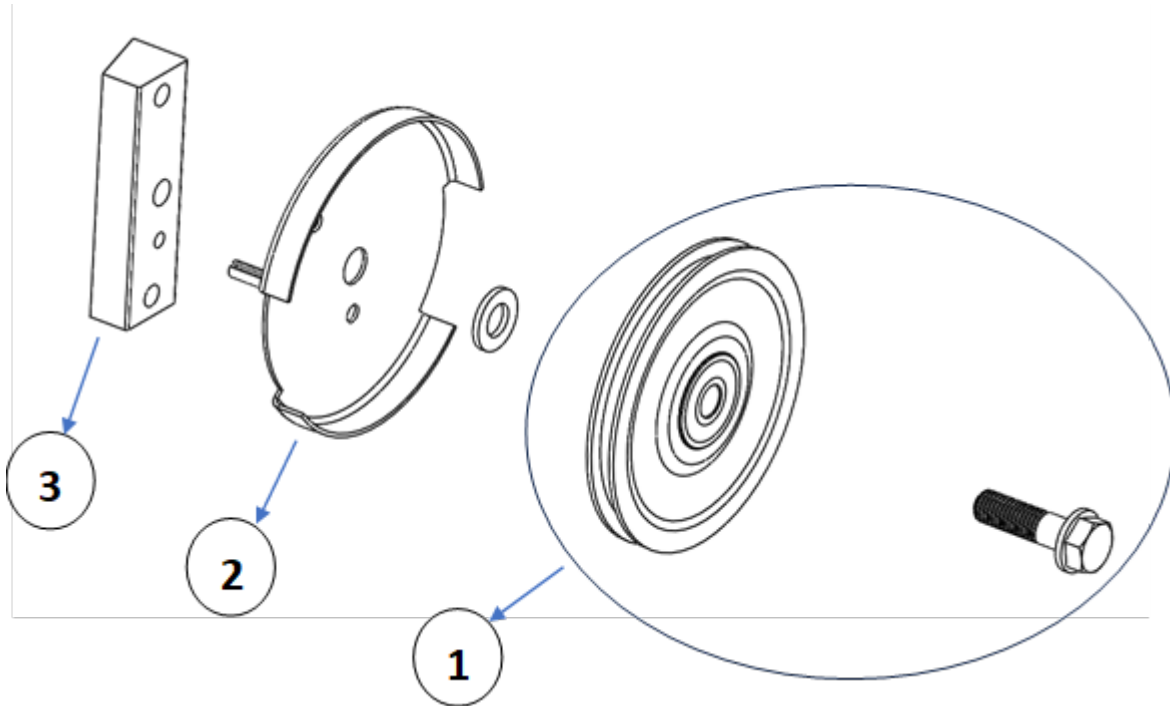
Figure 6

NUM.	MODELO TORRE / TOWER MODEL	REF.	CONTIENE / INCLUDES	
			CANT./QTY	DETALLE / DETAIL
1	FT6045, FT7045	SETFCAHI01	1	Soporte para cuernos / horn support
			1	Tornillo / screw DIN931 M10X170
			1	Tuerca / nut DIN985 M10
1	FT5023	SETFCAHI03	1	Soporte para cuernos / horn support
			1	Tornillo / screw DIN931 M10X140
			1	Tuerca / nut DIN985 M10
1	FT8045	SETFCAHI09	1	Soporte para cuernos / horn support
			1	Tuerca / nut DIN985 M14
			1	Tornillo / screw DIN931 M14X220
			1	Arandela / washer DIN125 M14
1	FT5023LS	SETFCAHI10	1	Soporte para cuernos / horn support
2	FT6045, FT7045	SETFCUER02	1	Cuerno adaptado / horn adapted 50x50x3x600 mm
2	FT5023, FT6520	SETFCUER04	1	Cuerno adaptado / horn adapted 50x50x3x500 mm
2	FT8045	SETFCUER08	1	Cuerno adaptado / horn adapted 70x40x4x850 mm
3,4	TODAS / ALL	SETFPSCI02	1	Pasador / pin Ø10x68
			1	Pasador en R / R pin Ø2
3,4	FT8045	SETFPSCI04	1	Pasador / pin Ø10x90
			1	Pasador en R / R pin Ø2

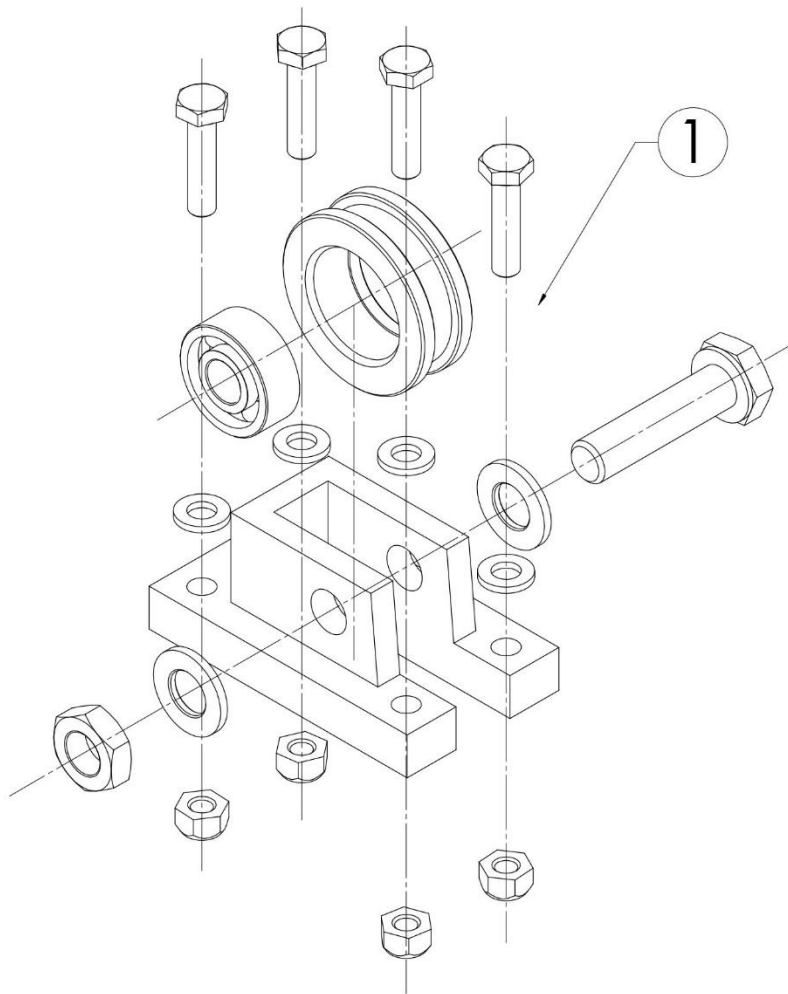
RECAMBIO CONJUNTO POLEA PERFIL INTERNO / SPARE SET PULLEY INTERNAL PROFILE



NUM.	MODELO TORRE / TOWER MODEL	REF.	CONTIENE / INCLUDES	
			CANT./QTY	DETALLE / DETAIL
1	FT6045, FT7045	SETFPOIN01	1	Polea / pulley Ø80x10
			1	Rodamiento / bearing DIN6201 2RS
			1	Tornillo especial / screw especial
2	FT6045, FT7045	SETFPOCU01	1	Cubre poleas / pulley protection Ø80
			1	Arandela / washer DIN125 M10
3	FT6045, FT7045	SETFPOSO01	1	Porta polea / pulley support PRT78
			2	Tuerca / nut DIN985 M8
			2	Arandela / washer DIN125 M8
			2	Tornillo / screw DIN933 M8X20



NUM.	MODELO TORRE / TOWER MODEL	REF.	CONTIENE / INCLUDES	
			CANT./QTY	DETALLE / DETAIL
1	FT8045	SETFPOIN16	1	Polea / pulley 117x12.2 eje D12
			1	Rodamiento / bearing DIN6201 2RS
			1	Pasador elastico / Elastic pin DIN 1481 M6X16
			1	Tornillo / screw DIN7984 M10x25
2	FT8045	SETFPOCU02	1	Cubre poleas / pulley protection Ø120
			1	Tornillo / screw DIN931 M12x45
3	FT8045	SETFPOSO02	1	Porta polea / pulley support PRT78
			2	Arandela / washer DIN125 M10
			2	Tornillo / screw Din912 m10x25



NUM.	MODELO TORRE / TOWER MODEL	REF.	CONTIENE / INCLUDES	
			CANT./QTY	DETALLE / DETAIL
1	FT5023, FT5023LS	SETFPOIN03	1	Polea / pulley $\varnothing 42 \times 15$
			1	Rodamiento / bearing 6000 ZZ
			1	Tuerca / nuts DIN936 M10
			2	Arandela / washers DIN125 M10
			1	Tornillo / screw DIN931 M10X40
			4	Arandela / washers DIN125 M6
			4	Tornillo / screw DIN933 M6X25
			4	Tuerca / nuts DIN985 M6
			1	Portapoleas / pulley carrier

RECAMBIO CONJUNTO POLEA TRAMO BASE / SET PULLEY BASE PROFILE
SPARE

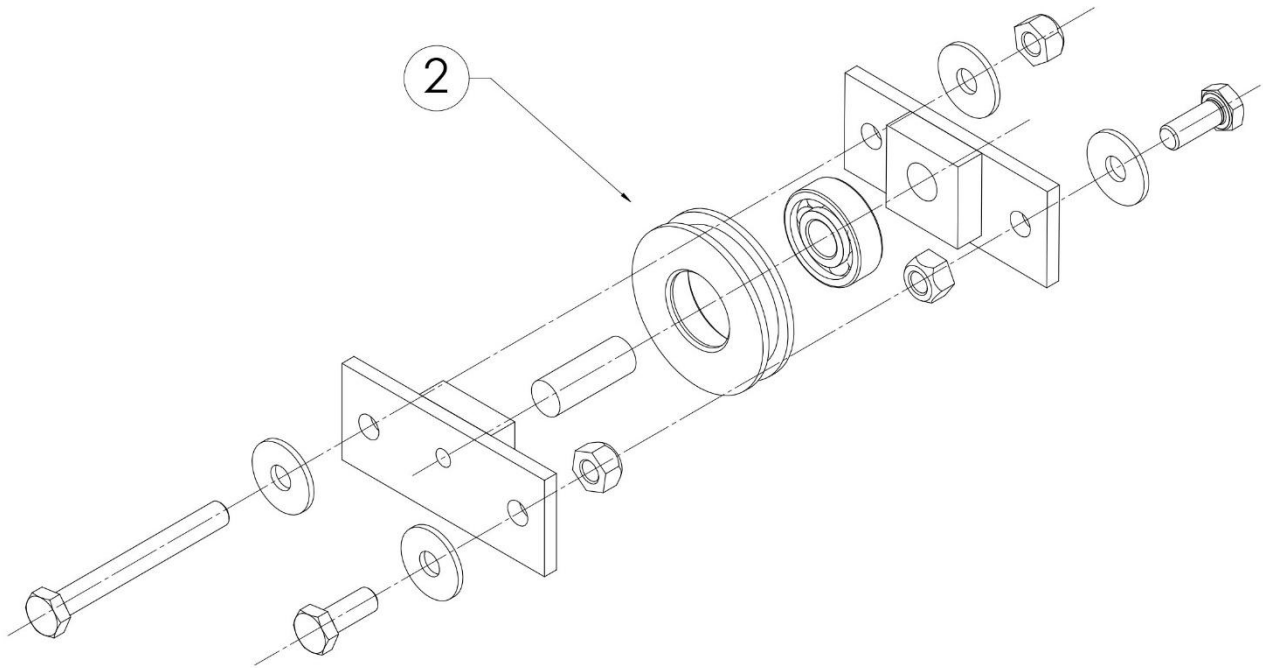
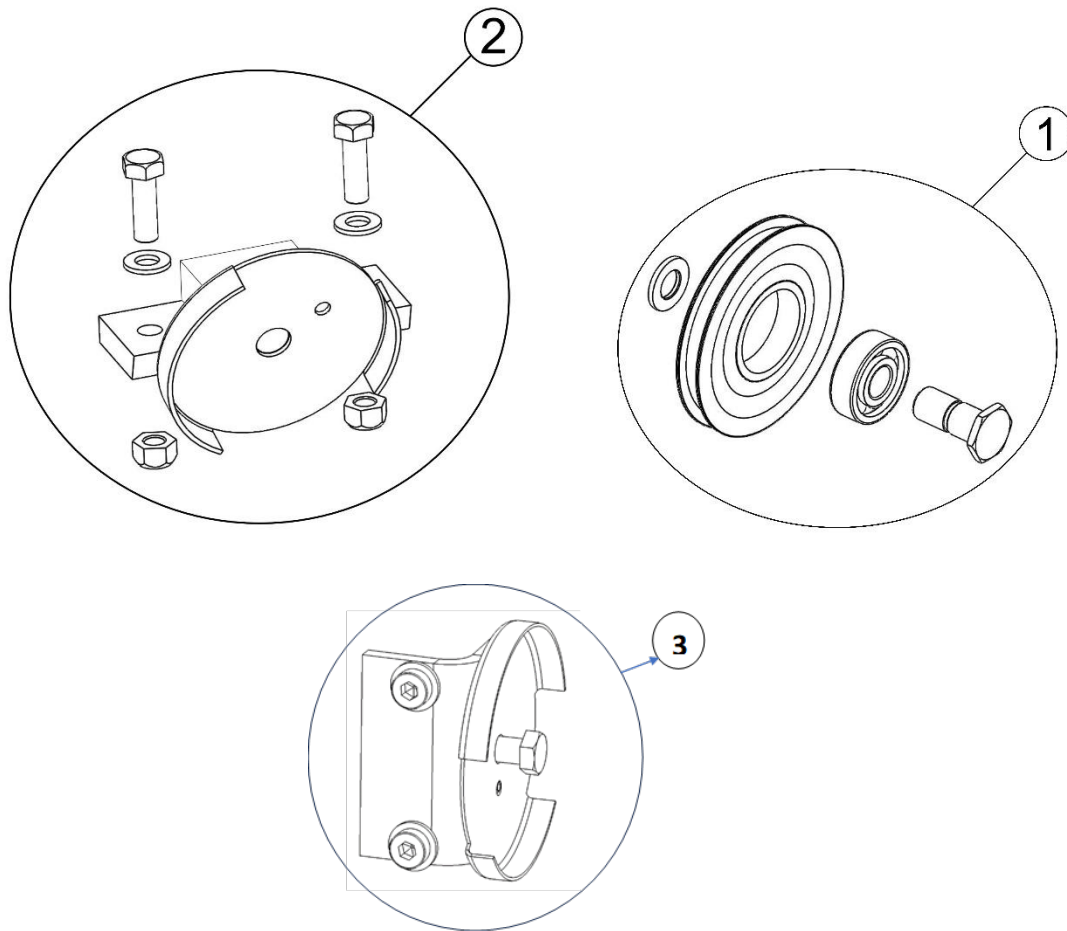


Figure 7

NUM.	MODELO TORRE / TOWER MODEL	REF.	CONTIENE / INCLUDES	
			CANT./QTY	DETALLE / DETAIL
2	FT5023, FT5023LS	SETFPOIN06	1	Polea / pulley Ø55
			1	Rodamiento / bearing 6201 2RS Ø12
			3	Tuerca / nut DIN985 M8
			1	Eje/axis Ø12x32
			1	Tornillo / screw DIN933 M8X70
			4	Arandela / washer DIN9021 M8
			2	Tornillo / screw DIN933 M8X20
			2	Soporte polea / pulley support
			2	Tuerca / nut DIN934 M8



NUM.	MODELO TORRE / TOWER MODEL	REF.	CONTIENE / INCLUDES	
			CANT./QTY	DETALLE / DETAIL
1	FT6045, FT7045	SETFPOBA01	1	Polea / pulley Ø80x10
			1	Rodamiento / bearing DIN6201 2RS
			1	Tornillo / screw especial
			1	Arandela especial /washer M12x1
2	FT6045, FT7045	SETFPOSO03	1	Porta polea tramo base
			2	Tuerca / nut DIN985 M8
			2	Arandela / washer DIN125 M8
			2	Tornillo / screw DIN933 M8X25
1	FT8045	SETFPOBA02	1	Polea / pulley 117x12.2 eje D12
			1	Rodamiento / bearing DIN6201 2RS
			1	Pasador elástico / elastic pin DIN1481 3X10
			1	Tornillo / screw DIN931 M12X45
3	FT8045	SETFPOSO04	1	Porta polea tramo base
			1	Cubre polea / Cover pulley
			2	Arandela / washer DIN125 M8
			3	Tuerca / nut DIN936 M12
			2	Tornillo / screw DIN7984 M12x25

RECAMBIO MOSQUETÓN PERFIL TRAMO FINAL / SAFETY LOCK FINAL PROFILE SPARE

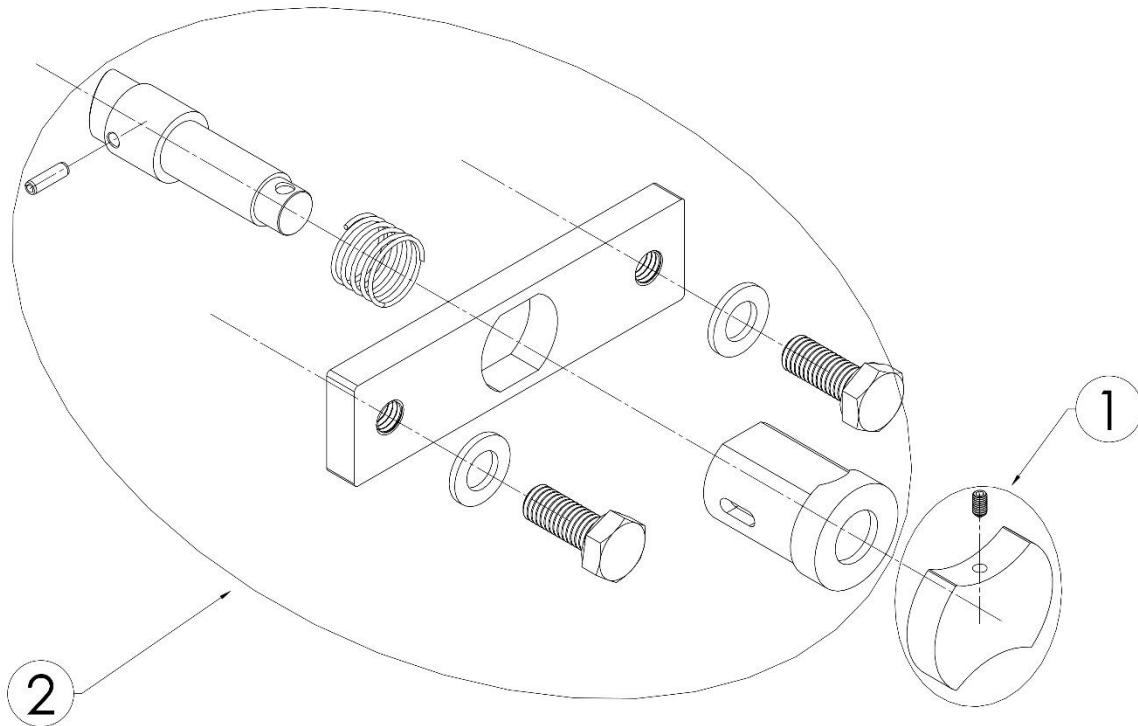


Figure 8

NUM.	MODELO TORRE / TOWER MODEL	REF.	CONTIENE / INCLUDES	
			CANT./QTY	DETALLE / DETAIL
1	TODAS / ALL	SETFMOMA01	1	Maneta roja mosquetón perfil / red handle profile
			1	Tornillo prisionero / screw DIN914 M4X6
2	FT5023, FT6045, FT7045, FT5023LS	SETFMOP201	1	Mosquetón pequeño / small carabiner
			2	Tornillo / screw DIN933 M8X16
			2	Arandela / washer DIN125 M8
2	FT8045	SETFMOFI03	1	Tornillo prisionero / screw DIN914 M4x6
			2	Tornillo / screw DIN933 M8X16
			2	Arandela / washer DIN125 M8
			1	Mosquetón grande recto (ple+casq) / big carabiner
			1	Muelle / dock
			1	Macho del mosquetón / security pin
			1	Pasador elástico / elastic pin DIN1481 3X10

RECAMBIO MOSQUETÓN PERFIL / PROFILE SAFETY LOCK SPARE

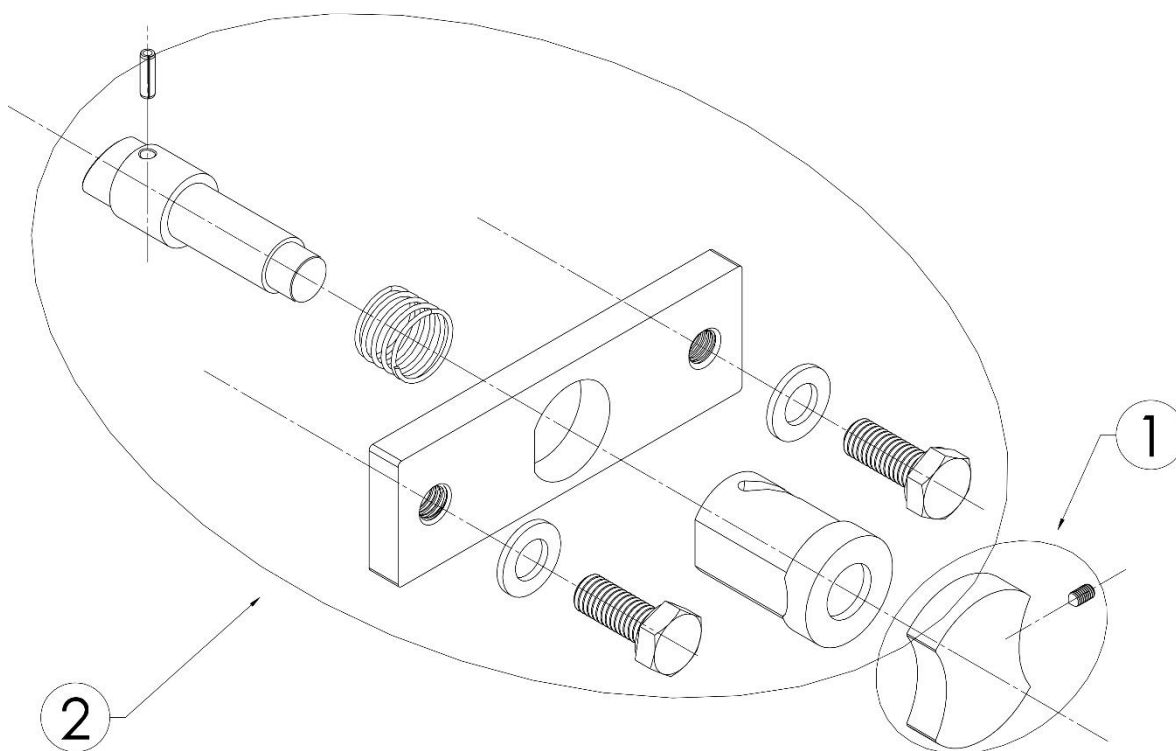


Figure 9

NUM.	MODELO TORRE / TOWER MODEL	REF.	CONTIENE / INCLUDES	
			CANT./QTY	DETALLE / DETAIL
1	TODAS / ALL	SETFMOMA01	1	Maneta roja mosquetón perfil / red handle profile
			1	Tornillo prisionero / screw DIN914 M4X6
2	FT5023, FT6045, FT7045, FT5023LS	SETFMOP301	1	Mosquetón pequeño / small carabiner
			2	Tornillo / screw DIN933 M8X16
			2	Arandela / washer DIN125 M8
2	FT8045	SETFMOP301	1	Tornillo prisionero / screw DIN914 M4x6
			2	Tornillo / screw DIN933 M8X16
			2	Arandela / washer DIN125 M8
			1	Mosquetón grande (ple+casq) / big carabiner
			1	Muelle / dock
			1	Macho del mosquetón / security pin
			1	Pasador elástico / elastic pin DIN1481 3X10

RECAMBIO MOSQUETON DE SEGURIDAD DE EL CARRO / SLEEVE BLOCK SAFETY LOCK SPARE

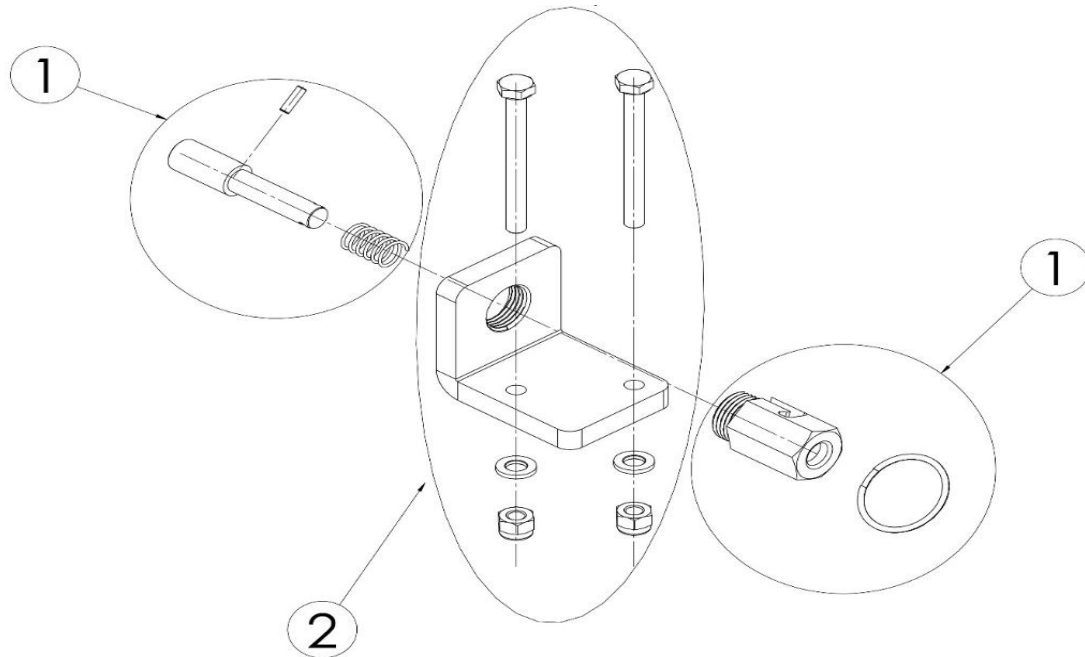


Figure 10

NUM.	MODELO TORRE / TOWER MODEL	REF.	CONTIENE / INCLUDES	
			CANT./QTY	DETALLE / DETAIL
1	FT5023, FT6045, FT7045, FT5023LS, FT8045	SETFMOSB01	1	Anilla llavero/ ring
			1	Casquillo roscado hexagonal / screwed cap
			1	Muelle / dock
			1	Macho del mosquetón / security pin
			1	Pasador elástico / elastic pin DIN1481 3X10
2	FT6045, FT7045	SETFMOSB02	1	Pletina mosquetón base en L / base L platen
			2	Tornillo / screw DIN931 M6X80
			2	Arandela / washer DIN125 M6
			2	Tuerca / nut DIN985 M6
			1	Arandela / washer DIN6798 M6
2	FT5023, FT5023LS	SETFMOSB05	1	Pletina mosquetón de la base / base platen
			1	Arandela / washer DIN127B M6
			2	Tuerca / nut DIN985 M6
			2	Tornillo / screw DIN912 M6x25
			1	Toma de tierra / ground pin M6
2	FT8045	SETFMOSE01	1	Pletina mosquetón base en L / base L platen
			1	Toma de tierra / ground pin M6
			2	Tornillo / screw DIN933 M6x25
			2	Tuerca / nut DIN985 M6

RECAMBIO PORTA PATAS / LEG CARRIER SPARE

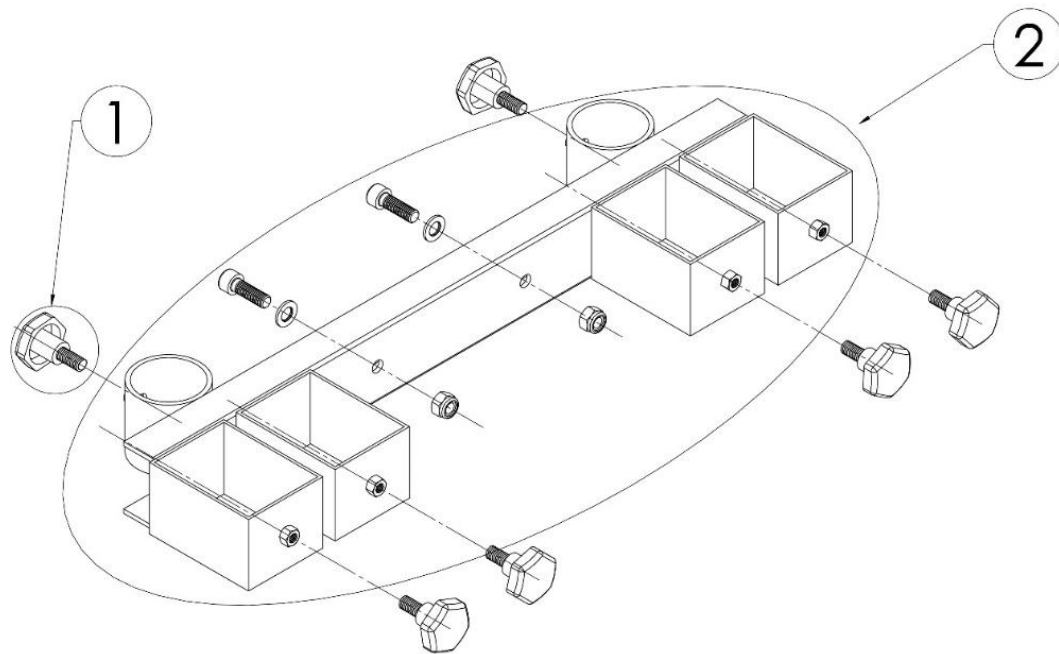
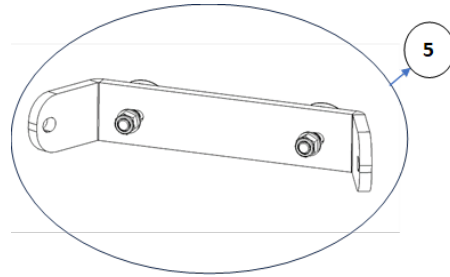
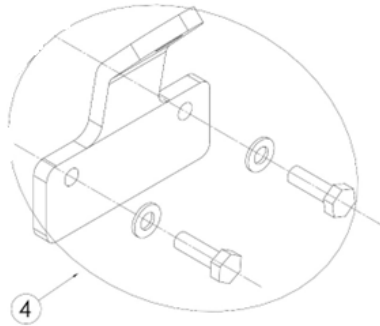


Figure 11

NUM.	MODELO TORRE / TOWER MODEL	REF.	CONTIENE / INCLUDES	
			CANT/QTY	DETALLE / DETAIL
1	TODAS / ALL	SETFPPPM01	1	Pomo starplast/ Knob M8x20
2	FT6045, FT7045	SETFPPTO02	1	Porta patas / legs carrier
			2	Tornillo / screws DIN933 M8X25
			2	Tuerca / nut DIN985 M8
2	FT5023N FT5023LS	SETFPPTO03	2	Arandela / washer DIN9021 M8
			1	Porta patas / legs carrier
			2	Tornillo / screw DIN933 M8X25
2	FT8045	SETFPPTO08	2	Tuerca / nut DIN985 M8
			1	Porta patas / legs carrier
			2	Arandela / washer DIN9021 M8

RECAMBIO OREJETA MASTIL / EAR MAST SPARE



NUM.	MODELO TORRE / TOWER MODEL	REF.	CONTIENE / INCLUDES	
			CANT./QTY	DETALLE / DETAIL
4	FT5023, FT6045, FT5023LS	SETFOMTO03	1	Pletina / plate 100x4X20
			1	Orejeta BP / angular plate
			2	Tornillo / screw DIN933 M8X20
			2	Arandela / washer DIN125 M8
4	FT7045	SETFOMTO05	1	Pletina / plate 20x4x100
			1	Orejeta mastil / angular plate
			2	Tornillo / screw DIN933 M8X16
			2	Arandela / washer DIN125 M8
5	FT8045	SETFOMTO09	2	Orejeta / ear grip
			1	Orejeta BP / angular plate
			2	Tuerca / nut DIN985 M10
			2	Tornillo / screw DIN931 M10X50
			2	Arandela / washer DIN9021 M10

RECAMBIO TIRANTE FRONTAL / FRONTAL TIGHT SPARE

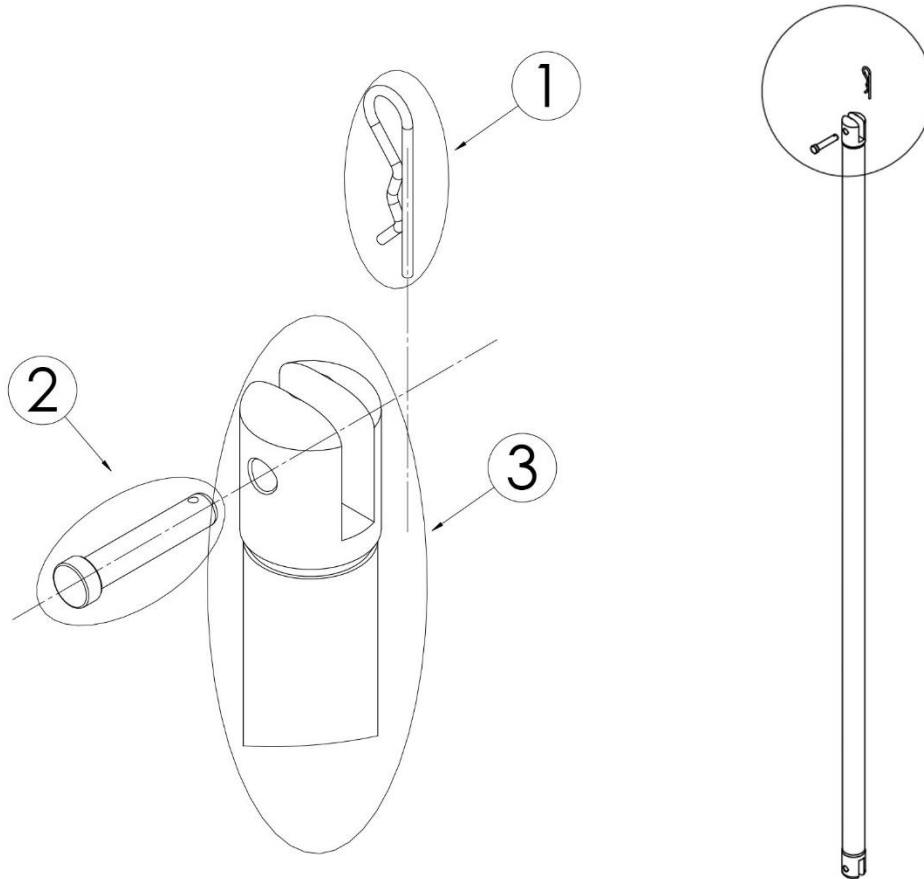


Figure 12

NUM.	MODELO TORRE / TOWER MODEL	REF.	CONTIENE / INCLUDES	
			CANT./QTY	DETALLE / DETAIL
1 & 2	TODAS / ALL	SETFPSCI03	1	Pasador en R / r pin D=3
			1	Pasador / pin L=49, D=10
3	FT7045, FT8045	SETFTIDE01	1	Tirante PA / PA tight L=1728, D=38
3	FT6045, FT5023,FT5023LS	SETFTIDE02	1	Tirante PA / PA tight L=1470, D=38

RECAMBIO TIRANTE TRASERO / REAR TIGHT SPARE

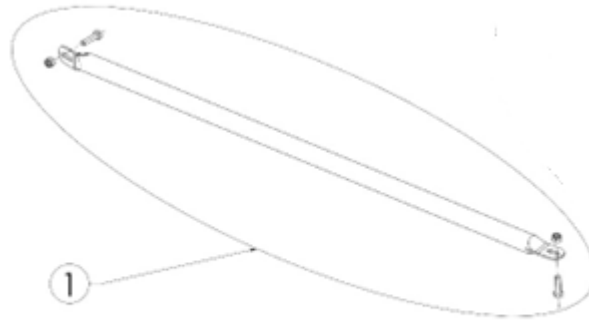


Figure 13

NUM.	MODELO TORRE / TOWER MODEL	REF.	CONTIENE / INCLUDES	
			CANT./QTY	DETALLE / DETAIL
1	FT5023, FT5023LS	SETFTITR01	2	Tornillo / screw DIN933 M8X25
			2	Tuerca / nut DIN985 M8
			1	Tirante de hierro / steel tight L=970, Ø25
			2	Arandela / washer DIN9021 M8
1	FT6045, FT7045	SETFTITR04	1	Tirante de hierro / steel tight L=978, Ø30
			2	Arandela / washer DIN9021 M8
			2	Tornillo / screw DIN933 M8X30
			2	Tuerca / nut DIN985 M8
1	FT8045	SETFTITR05	2	Tornillo / screw DIN933 M8X30
			2	Tuerca / nut DIN985 M8
			1	Tirante de hierro / steel tight L=995X1.5 D=25
			2	Arandela / washer DIN9021 M8

RECAMBIO CUÑAS / WEDGE SPARE

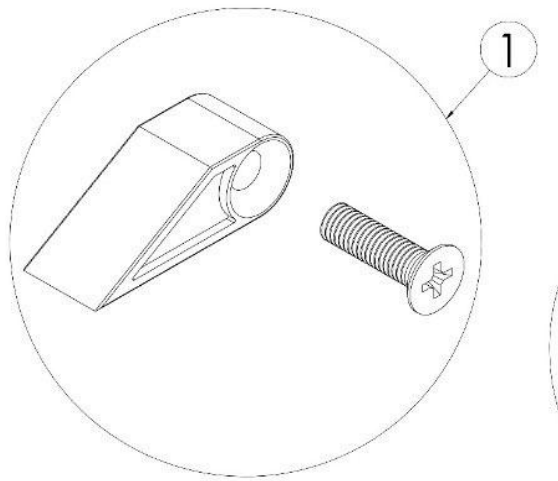
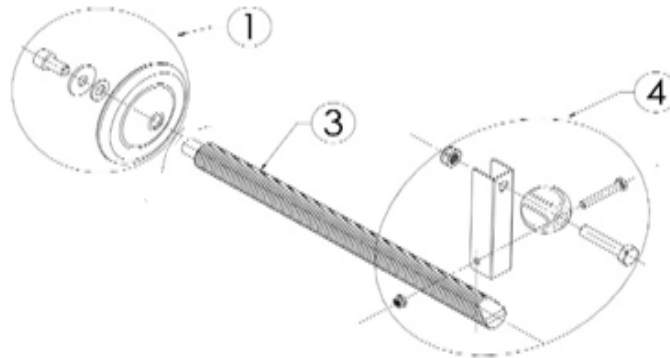


Figure 14

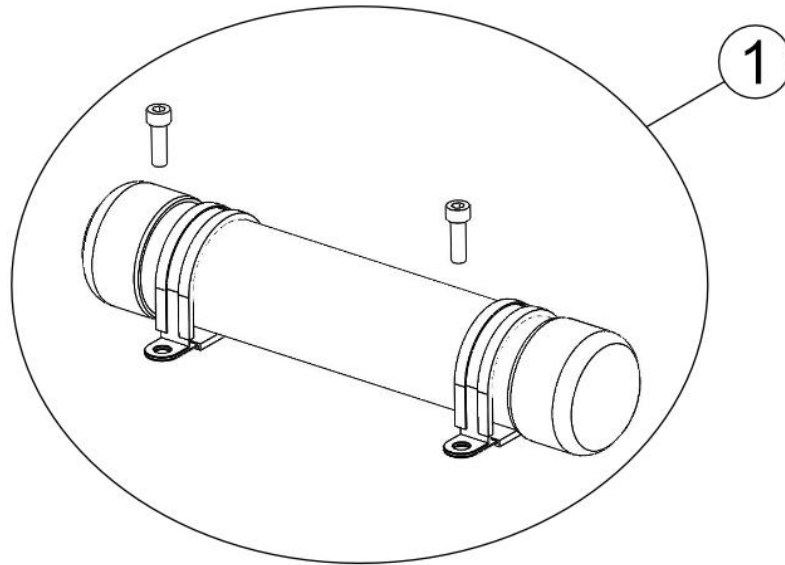
NUM.	MODELO TORRE / TOWER MODEL	REF.	CONTIENE / INCLUDES	
			CANT./QTY	DETALLE / DETAIL
1	FT7045, FT6045, FT5023,FT5023LS,FT8045	SETFTOCU01	1	Cuña / wedge 67x19
			1	Tornillo / screw DIN7991 M10X35
			1	Arandela estándar / estándar washer M11
			1	Tuerca / nut DIN985 M10
1	FT7045, FT6045, FT5023,FT5023LS,FT8045	SETFTOCU04	1	Cuña / wedge 67x19
			1	Tornillo / screw DIN7991 M10x35

RECAMBIO SISTEMA DE NIVELACION / LEVELING SYSTEM SPARE



NUM.	MODELO TORRE / TOWER MODEL	REF.	CONTIENE / INCLUDES	
			CANT./QTY	DETALLE / DETAIL
1	FT5023, FT5023LS	SETFPAPS01	1	Tornillo / screw DIN912 M6X12
			1	Arandela estándar / estándar washer M11
			1	Arandela / washer DIN9021 M6
			1	Arandela / washer DIN127B M6
			1	Plato / Plate D= 80
1	FT6045, FT7045	SETFPAPS02	1	Tornillo / screw DIN933 M8X16
			1	Arandela / washer DIN127B M8
			1	Plato / Plate D= 100
			1	Arandela / washer DIN125 M14
			1	Arandela / washer DIN9021 M8
1	FT8045	SETFPAPS03	1	Tornillo / screw DIN933 M8X16
			1	Arandela / washer DIN127B M8
			1	Arandela / washer DIN125 M14
			1	Plato / Plate D= 120
3	FT8045	SETFPAES02	1	Espárrago / screw leveler M24 x 500 mm
3	FT6045, FT7045	SETFPAES01	1	Espárrago / screw leveler M20 x 350 mm
3	FT5023, FT5023LS	SETFPAES03	1	Espárrago / screw leveler M16 x 335 mm
4	FT6045, FT7045	SETFPAPO01	1	Tornillo / screw DIN931 M8X40
			1	Pomo plástico / plastic knob M8
			2	Tuerca / nut DIN934 M8
			1	Tornillo / screw DIN933 M5X30
			1	Pletina pomo / knob plate
			1	Tuerca / nut DIN985 M5
4	FT5023, FT5023LS	SETFPAPO03	1	Tornillo / screw DIN931 M8X40
			1	Pomo plástico / plastic knob M8
			2	Tuerca / nut DIN934 M8
			1	Tornillo / screw DIN933 M5X30
			1	Pletina pomo / knob plate
			2	Arandela / washer DIN125 M5
			1	Tuerca / nut DIN985 M5
4	FT8045	SETFPAPO02	1	Tornillo / screw DIN931 M8X70
			1	Pomo plástico / plastic knob D50
			2	Tuerca / nut DIN934 M8
			1	Tornillo / screw DIN933 M6X40
			1	Pletina pomo / knob plate
			1	Tuerca / nut DIN985 M6

REPUESTO PORTADOCUMENTOS / DOCUMENTS HOLDER SPARE



NUM.	MODELO TORRE / TOWER MODEL	REF.	CONTIENE / INCLUDES	
			CANT./QTY	DETALLE / DETAIL
1	TODAS / ALL	PORTADOC2	2	Contera exterior negra / external black nozzle Ø50
			2	Abrazadera isofónica / isophonic clamp Ø50
			2	Tuerca / nut DIN985 M6
			2	Tornillo / screw DIN912 M6x20
			1	Tubo policarbonato / polycarbonate tube

VISERA REFUERZO SUPERIOR / REINFORCEMENT TOP BOOST SPARE

Sin tornillo / without screw

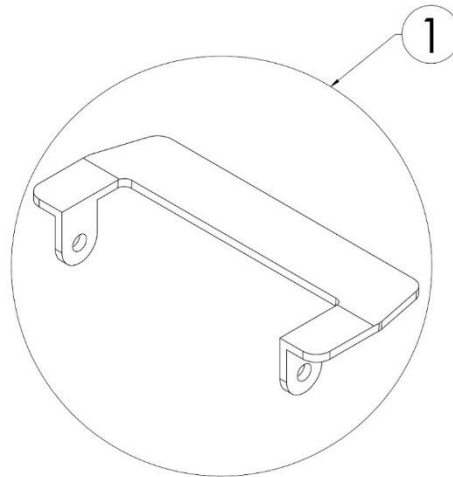
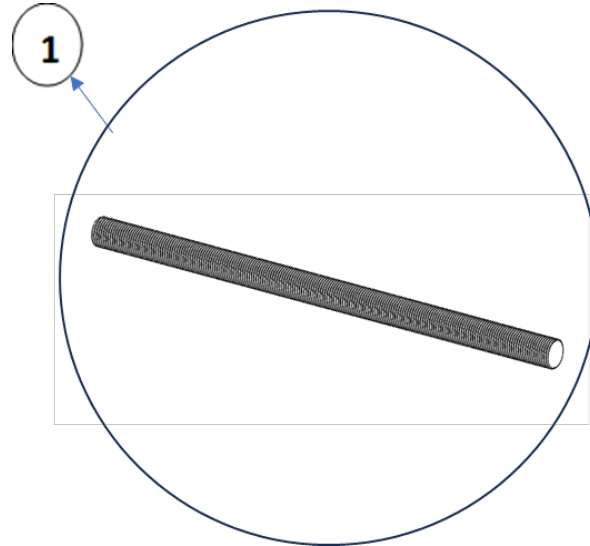


Figure 15

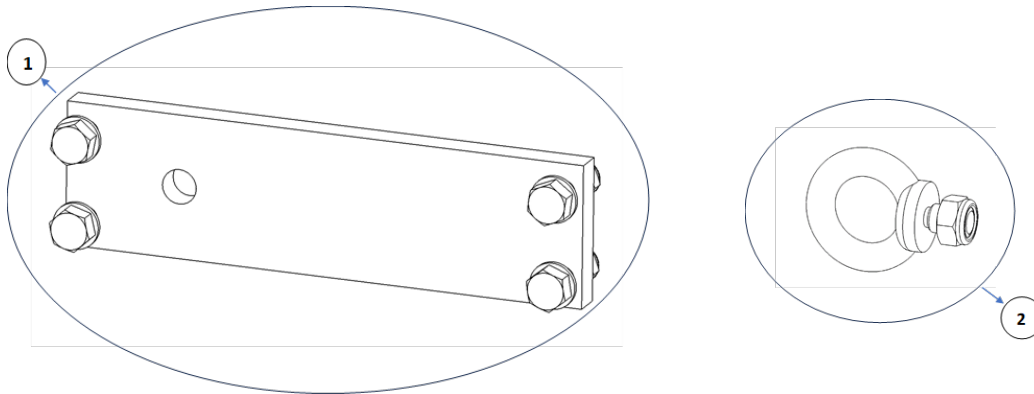
NUM.	MODELO TORRE / TOWER MODEL	REF.	CONTIENE / INCLUDES	
			CANT./QTY	DETALLE / DETAIL
1	FT6045	SETFVISE01	1	Visera superior / top boost reinforcement
1	FT8045	SETFVISE03	1	Visera superior / top boost reinforcement

ESPARRAGO DEL TRAMO BASE / THREADED ROD OF THE BASE SECTION



NUM.	MODELO TORRE / TOWER MODEL	REF.	CONTIENE / INCLUDES	
			CANT./QTY	DETALLE / DETAIL
1	FT7045, FT6045, FT5023	SETFTRES01	1	Esparrago / threaded rod M10x170
			1	Tuerca / nut DIN936 M10
1	FT5023LS	SETFTRES02	1	Esparrago / threaded rod M10x135
			1	Tuerca / nut DIN936 M10

RECAMBIO ARGOLLA Y PLETINA SUPERIOR / RING AND TOP PLATE SPARE



NUM.	MODELO TORRE / TOWER MODEL	REF.	CONTIENE / INCLUDES	
			CANT./QTY	DETALLE / DETAIL
1	FT6045, FT7045	SETFPLCA01	1	Pletina / plate 150x6x50
			4	Tornillo / screw DIN933 M8X25
			4	Tuerca / nut DIN985 M8
			4	Arandela / washer DIN125 M8
1	FT5023, FT5023LS	SETFPLCA03	1	Pletina / plate 115x6x50
			1	Tornillo / screw DIN912 M12x30
			1	Tuerca / nut DIN936 M12
			1	Arandela / washer DIN9021 M12
			4	Tornillo / screw DIN933 M8X25
			4	Tuerca / nut DIN985 M8
1	FT8045	SETFPLCA07	1	Pletina / plate 50X10X180
			4	Tornillo / screw DIN933 M8X30
			4	Tuerca / nut DIN985 M8
			4	Arandela / washer DIN125 M8 ZN
2	FT7045, FT6045, FT5023, FT5023LS	SETFARGO01	2	Argolla/ Ring
			2	Tuerca/ Nut DIN985 M8

RECAMBIO CABLE / CABLE SPARE

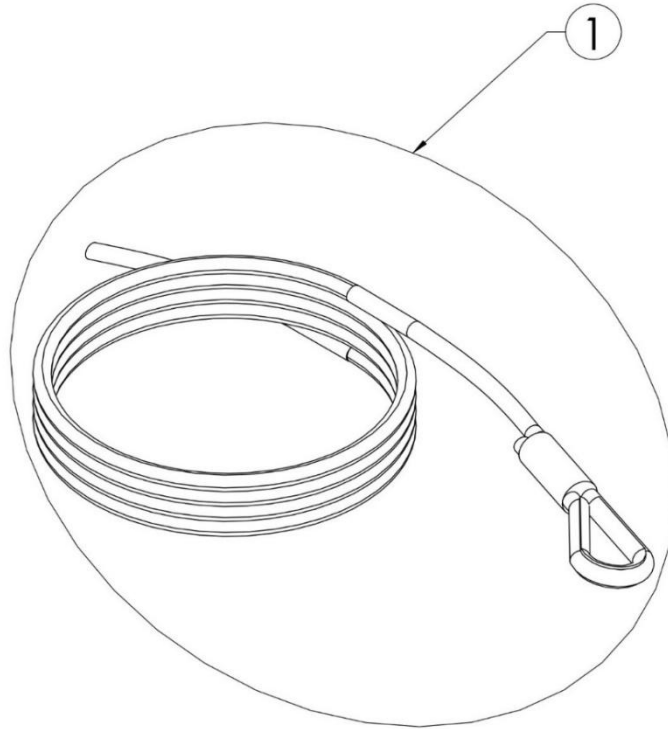
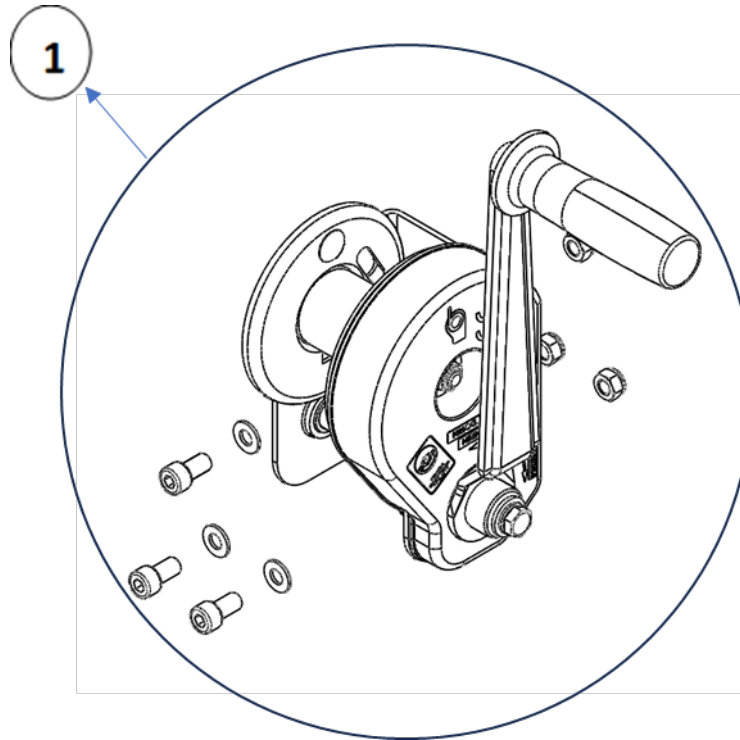


Figure 16

NUM.	MODELO TORRE / TOWER MODEL	REF.	CONTIENE / INCLUDES	
			CANT./QTY	DETALLE / DETAIL
1	FT5023, FT5023LS	SETFCABL04	1	Cable L= 14,5 m Ø5 mm
			1	Tornillo / screw DIN912 M12x30
			1	Arandela / washer Din9021 M12
			1	Tuerca / nut DIN936 M12
1	FT6045	SETFCABL06	1	Cable L= 18 m Ø6 mm
			1	Tornillo / screw DIN912 M12x30
			1	Arandela / washer Din9021 M12
			1	Tuerca / nut DIN936 M12
1	FT7045	SETFCABL07	1	Cable L= 20.5 m Ø6 mm
			1	Tornillo / screw DIN912 M12x30
			1	Arandela / washer Din9021 M12
			1	Tuerca / nut DIN936 M12
1	FT8045	SETFCABL17	1	Cable L= 24 m Ø6 mm
			1	Tornillo / screw DIN912 M12x30
			1	Arandela / washer Din9021 M12
			1	Tuerca / nut DIN936 M12

RECAMBIO CABRESTANTE CON TORNILLOS / WINCH WITH SCREWS
SPARE



NUM.	MODELO TORRE / TOWER MODEL	REF.	CONTIENE / INCLUDES	
			CANT./QTY	DETALLE / DETAIL
1	FT6045, FT7045	CABM901230	1	Cabrestante ALKO 901 Plus maneta de 230 mm / Alko 901 (900kg) winch with 230 mm handle
1	FT5023, FT5023LS	SETVCABR04	1	Cabrestante RBW1500-1000 CBF680 / (680kg) winch
1	FT8045	SETVCABR08	1	Cabrestante RBW3500 FC1589 / (1500kg) winch

NUM.	MODELO TORRE / TOWER MODEL	REF.	CONTIENE / INCLUDES	
			CANT./QTY	DETALLE / DETAIL
1	FT5023, FT5023LS	SETFPEMA12	1	Sticker / Pegatina FT5023 lateral especificaciones
			1	Sticker / Pegatina FT5023 cargas
			3	Sticker / Pegatina FT entrabe TOP derecho
			1	Sticker / Pegatina Freno base 85X60 FANTEK
			1	Sticker / Pegatina mosquetón carro FANTEK
			1	Sticker / Pegatina FANTEK
			1	Sticker / Pegatina Punto de inspección cable FANTEK pequeña
			1	Sticker / Pegatina Warning wire rope
			1	Sticker / Pegatina Mosquetones FT genérica
			1	Sticker / Pegatina cabrestante CBF681
1	FT6045	SETFPEMA14	1	Sticker / Pegatina FT6045 cargas
			1	Sticker / Pegatina FT6045 lateral especificaciones
			1	Sticker / Pegatina freno base
			1	Sticker / Pegatina FANTEK
			4	Sticker / Pegatina FT entrabe TOP derecho
			2	Sticker / Pegatina mosquetón carro FANTEK
			1	Sticker / Pegatina inspección cable FANTEK pequeña
			1	Sticker / Pegatina Warning wire rope
			1	Sticker / Pegatina Mosquetones FT genérica
1	FT7045	SETFPEMA15	1	Sticker / Pegatina FT7045 lateral especificaciones
			1	Sticker / Pegatina FT7045 cargas
			1	Sticker / Pegatina freno base
			1	Sticker / Pegatina FANTEK
			1	Sticker / Pegatina mosquetón carro FANTEK
			4	Sticker / Pegatina FT entrabe TOP derecho
			1	Sticker / Pegatina inspección cable FANTEK pequeña
			2	Sticker / Pegatina mosquetón carro FANTEK
			1	Sticker / Pegatina Warning wire rope
			1	Sticker / Pegatina Mosquetones FT genérica
1	FT8045	SETFPEMA23	1	Sticker / Pegatina FT8045 Instrucciones básicas de uso
			1	Sticker / Pegatina FT8045 lateral especificaciones
			1	Sticker / Pegatina freno base
			1	Sticker / Pegatina FANTEK
			4	Sticker / Pegatina FT entrabe TOP derecho
			2	Sticker / Pegatina mosquetón carro FANTEK
			1	Sticker / Pegatina Punto de inspección cable FANTEK pequeña
			1	Sticker / Pegatina Warning wire rope
			1	Sticker / Pegatina Mosquetones FT genérica
2	TODAS / ALL	SETFPEPA01	2	Frontal leg sticker / Pegatina pata delantera
			2	Rear leg sticker / Pegatina pata trasera
3	FT5023, FT6045, FT7045	SETFPECU02	1	Left load sticker P1 to P4/ Juego pegatina carga izquierdo P1 a P4
			1	Right load sticker P1 to P4/ Juego pegatina carga derecho P1 a P4
3	FT8045	SETFPECU06	1	Left load sticker P1 to P5/ Juego pegatina carga izquierdo P1 a P4
			1	Right load sticker P1 to P5/ Juego pegatina carga derecho P1 a P5
3	FT5023LS	SETFPECU07	1	Left load sticker P1 to P4/ Juego pegatina carga izquierdo P1 a P4
			1	Right load sticker P1 to P4/ Juego pegatina carga derecho P1 a P4
			1	Sticker / Pegatina Overload Frontal
			1	Sticker / Pegatina LOADSENSE



FANTEK[®]

LIFTERS, PLATFORMS & TRUSS

FANTEK INDUSTRIAL S.L.
C/Traginers, 4. P.I. - L'Alter,
Alcàsser - Valencia SPAIN
T +34 961 260 168
fantek@fantek.es



www.fantek.es