

LENS TUBES

OVERVIEW

This document provides basic setup instructions and safety warnings for the following product(s):

ORDER CODE	DESCRIPTION
STRAND PLT SERIES	
64010-001	PLT 5° lens tube black
64010-101	PLT 5° lens tube white
64010-002	PLT 10° lens tube black
64010-102	PLT 10° lens tube white
64010-003	PLT 14° lens tube black
64010-103	PLT 14° lens tube white
64010-004	PLT 19° lens tube black
64010-104	PLT 19° lens tube white
64010-005	PLT 26° lens tube black
64010-105	PLT 26° lens tube white
64010-006	PLT 36° lens tube black
64010-106	PLT 36° lens tube white
64010-007	PLT 50° lens tube black
64010-107	PLT 50° lens tube white
64010-008	PLT 70° lens tube black
64010-108	PLT 70° lens tube white

ORDER CODE	DESCRIPTION
STRAND SPX ZOOM SERIES	
SPX2550LT	25°-50° zoomspot lens tube black
SPX1535LT	15°-35° zoomspot lens tube black
STRAND SPX FIXED SERIES	
SPX14LT	14° fixed beam lens tube black
SPX19LT	19° fixed beam lens tube black
SPX26LT	26° fixed beam lens tube black
SPX36LT	36° fixed beam lens tube black
SPX50LT	50° fixed beam lens tube black
STRAND LENS HOLDERS/ADAPTERS	
64010-012	PLT universal lens holder black
64010-112	PLT universal lens holder white
PLPF4ULTA	Universal tube adapter black

CLEANING AND MAINTENANCE

- 1 Remove heavy particles with compressed air prior to cleaning with cloth and/or cleaning solution.
- 2 Use a clean, soft, lint-free cloth. Recommended to have one for wet cleaning and one for drying/polishing to prevent streaking.
- 3 Always use a NON-AMMONIATED glass cleaner, isopropyl alcohol, or a mild soap and water solution.
- 4 Use caution to not continuously rub on lenses as damage may occur to coatings.
- 5 Polish with clean, dry cloth to prevent streaking.
- 6 Store lens tubes in plastic coverings to reduce dust/residue buildup.

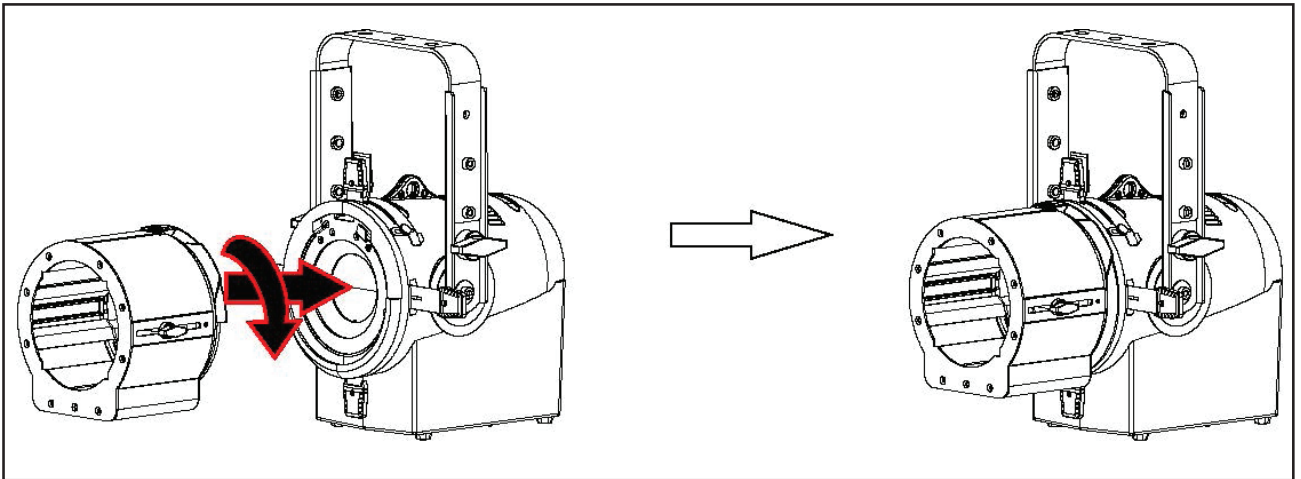
LENS TUBES

INSTALLATION

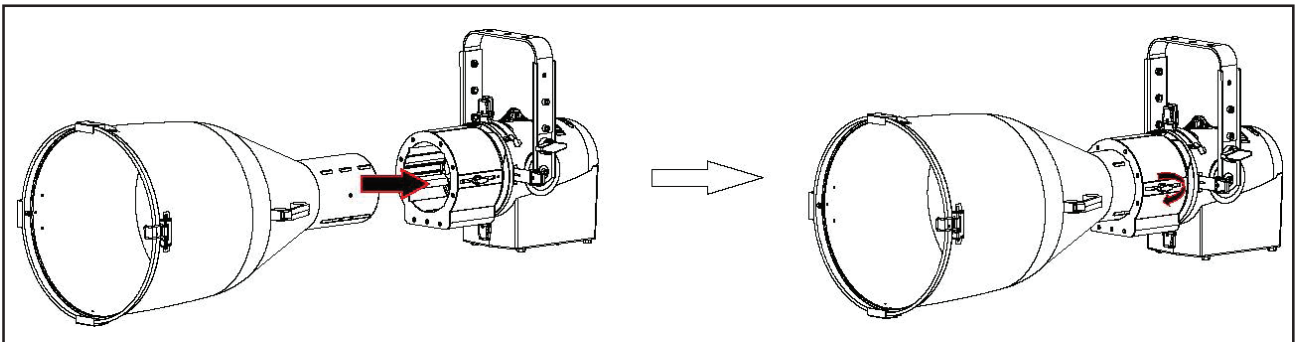
PLT LEN TUBES

To install or remove a PLT lens tube on the luminaire:

Step 1. Click the adapter into the luminaire.



Step 2. Insert the lens tube into the adapter. After achieving the desired beam edge, tighten the locking bolt.



Step 3. To remove, perform process in reverse.

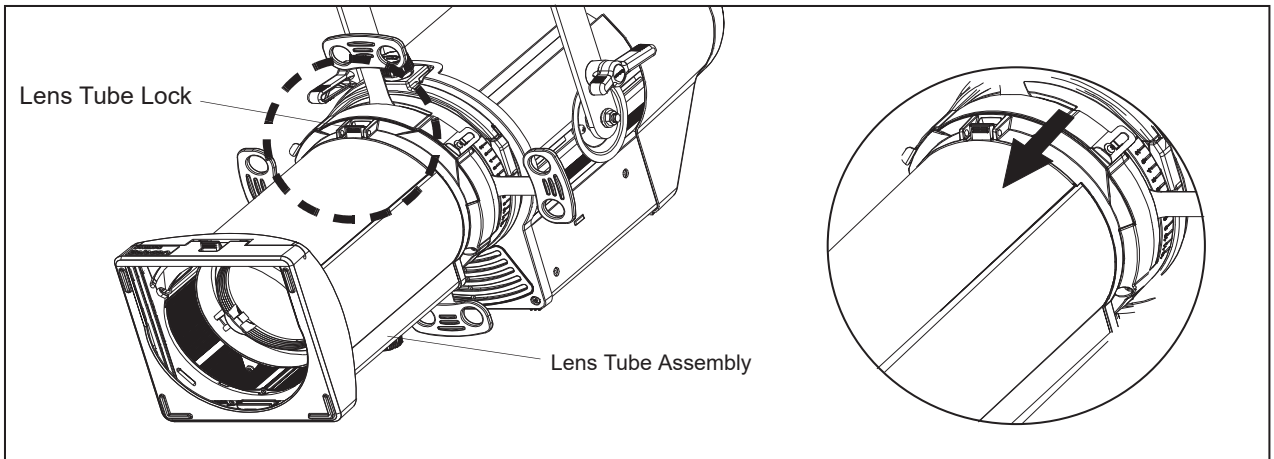
LENS TUBES

SPX LEN TUBES

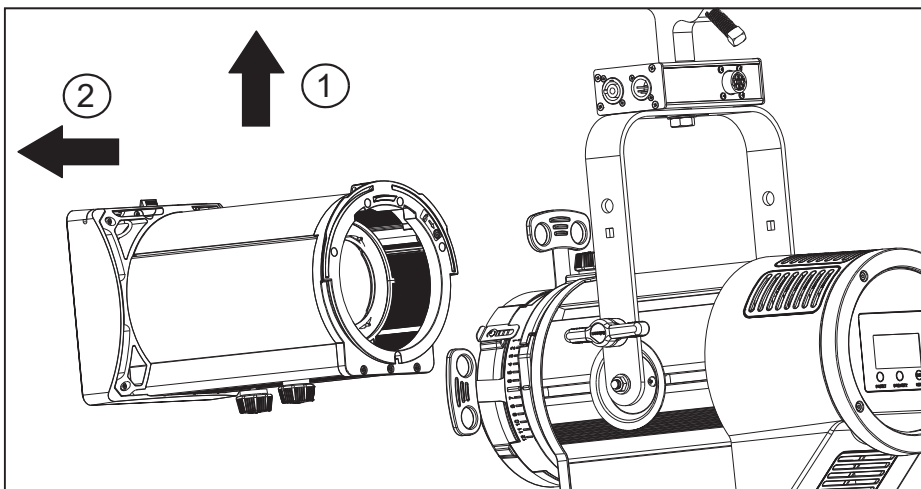
Fixed beam and zoom lens tubes are interchangeable.

To remove or install an SPX lens tube on the luminaire:

Step 1. Loosen (but do not remove) move lens knob(s) towards front of lens tube assembly.



Step 2. Lift lens tube assembly up and away from light engine assembly.



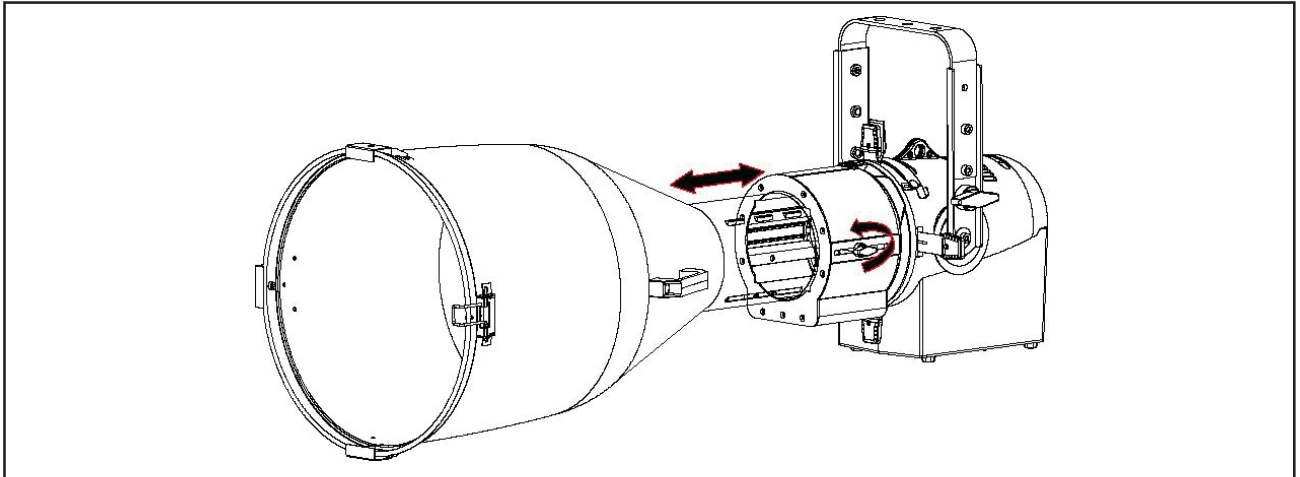
Step 3. To install, perform process in reverse.

LENS TUBES

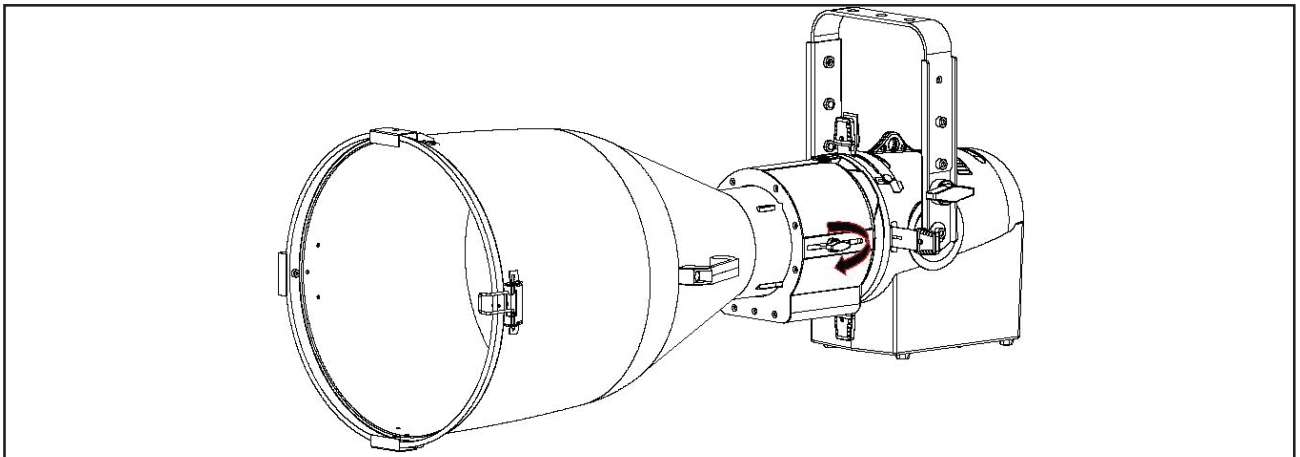
FOCUS

To focus the lens tube:

- Step 1. Loosen the locking bolt located on one side of the adapter. Slide the lens tube forward or backward to achieve the desired beam edge.



- Step 2. Once the luminaire is focused, tighten the locking bolt.



©2022 Signify Holding. All rights reserved.

All trademarks are owned by Signify Holding or their respective owners. The information provided herein is subject to change, without notice. Signify does not give any representation or warranty as to the accuracy or completeness of the information included herein and shall not be liable for any action in reliance thereon. The information presented in this document is not intended as any commercial offer and does not form part of any quotation or contract, unless otherwise agreed by Signify. Data subject to change.

CUSTOMER SERVICE

If you have any questions regarding this product, please contact Customer Service by phone at +1 214-647-7880 or by email at entertainment.service@signify.com.