

FANTEK[®]

INDUSTRIAL, S.L.

SPARE PARTS MANUAL FOR
TOP LOAD LIFT SYSTEMS

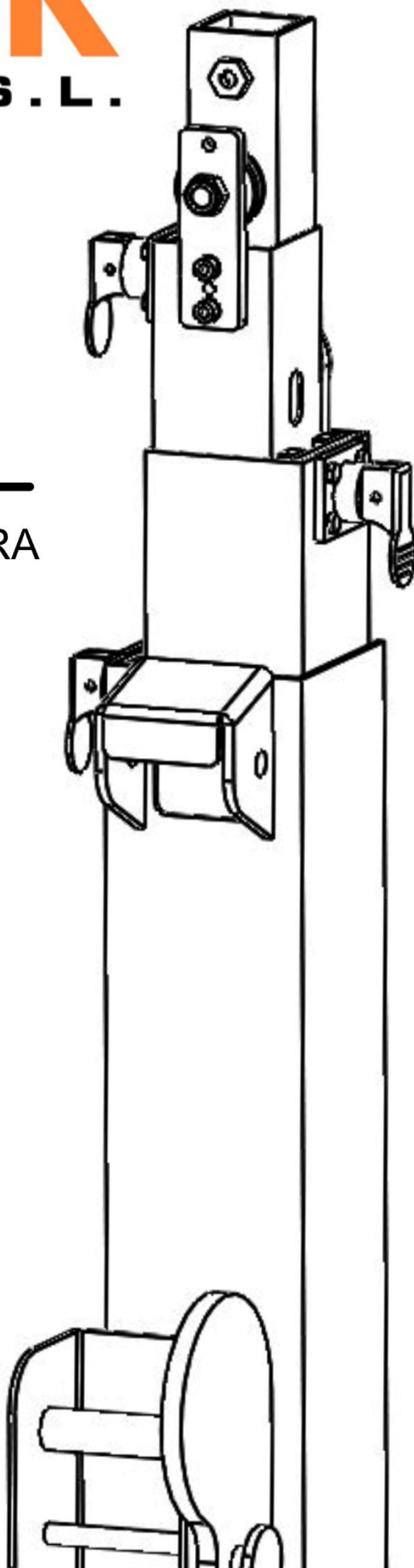
MANUAL DE REPUESTOS PARA
SISTEMAS ELEVADORES DE
CARGA SUPERIOR

FOR MODELS:

T101D - T102D - T103D
T104D - T105D - T106D

PARA MODELOS:

T101D - T102D - T103D
T104D - T105D - T106D



FANTEK[®]
INDUSTRIAL, S.L.

Calle Traginers, nº 4 – Pol. Ind. L’Alter

46290 - Alcàsser (Valencia) Spain

Telf./Phone: +34 96 126 01 68

email: info@fantek.net

INTRODUCCIÓN	4
INTRODUCTION	5
RECAMBIOS BASES Y TRAMOS / BASES AND MASTS SPARE PARTS	6
T101D	6
T102D	8
T103D	10
T104D	12
T105D	14
T106D	16
RECAMBIOS PATAS / SPINDLE SPARE	18
T102D / T103D	18
T104D / T105D	18
T106D	18
RECAMBIOS NIVELADOR PATAS / LEG SPINDLE SPARE	19
T102D / T103D / T104D / T105 / T106D	19
RECAMBIOS PORTAPOLEAS / PULLEY SPARE.....	20
RECAMBIOS POLEAS INTERNAS / INTERNAL PULLEY SPARE.....	22
RECAMBIOS MOSQUETONES / SAFETY LOCKS SPARE	24
RECAMBIOS POLEA WIRE DRIVE / WIRE DRIVE PULLEY SPARE.....	25
RECAMBIOS CABLE / CABLE SPARE	26
RECAMBIOS CABRESTANTE / WINCH SPARE	27
RECAMBIOS CONTERA / NOZZLE SPARE.....	28
RECAMBIOS PORTADOCUMENTOS / DOCUMENTS HOLDER SPARE.....	29
RECAMBIOS PORTAPATAS / LEGS HOLDER SPARE	30
RECAMBIOS PATIN AJUSTE / ADJUSTMENT SHOE SPARE.....	31
RECAMBIOS PEGATINAS / STICKERS SPARE.....	32
T101D	32
T102D	33
T103D	34
T104D	35
T105D	36
T106D	37
PEGATINAS PATAS / LEG STICKERS	38

INTRODUCCIÓN

A continuación, se incluyen las partes que conforman los recambios de todos los modelos de torre de CARGA SUPERIOR.

NUM.	MODELO TORRE / TOWER MODEL	REF.	CONTIENE / INCLUDES	
			CANT./QTY	DETALLE / DETAIL
1	T101D	SETSPROLO1	1	Perfil / profile 40x40x1,5x595
			1	Perfil / profile 35x35x1,5x180
			1	Tornillo corto accesorios / short screw for accesories
			1	Pomo cromado / chromed handgrip
			1	Tornillo DIN936 M10 / screw DIN936 M10

- **NUM.** indica el número de referencia del dibujo del set.
- **MODELO TORRE / TOWER MODEL** indica la torre al que pertenece.
- **REF.** indica la referencia del set referido a la torre o torres.
- **CANT./QTY** y **DETALLE/DETAIL** indica la cantidad y descripción de elementos que comprende el set de la referencia indicada.

IMPORTANTE

- Para pedir un repuesto sólo es necesario indicar la referencia (REF.) y especificar su cantidad necesaria. Los números que engloban varias piezas simbolizan el pack de piezas que conforman dicho recambio.
- Los repuestos pueden sufrir algún cambio respecto a los dibujos que los representan, pero, a menos que se indique lo contrario, serán totalmente compatibles.
- En muchos de los casos, los repuestos se conforman en sets completos. No se contempla la posibilidad de separar piezas de su conjunto.
- Recuerde que la manipulación y sustitución de estos repuestos están sujetos a su realización por parte de personal cualificado y autorizado. La no observación de esta norma anularía la garantía.

INTRODUCTION

Next, the parts that make up the spare parts of all top load tower models are included.

NUM.	MODELO TORRE / TOWER MODEL	REF.	CONTIENE / INCLUDES	
			CANT./QTY	DETALLE / DETAIL
1	T101D	SETSPROL01	1	Perfil / profile 40x40x1,5x595
			1	Perfil / profile 35x35x1,5x180
			1	Tornillo corto accesorios / short screw for accesories
			1	Pomo cromado / chromed handgrip
			1	Tornillo DIN936 M10 / screw DIN936 M10

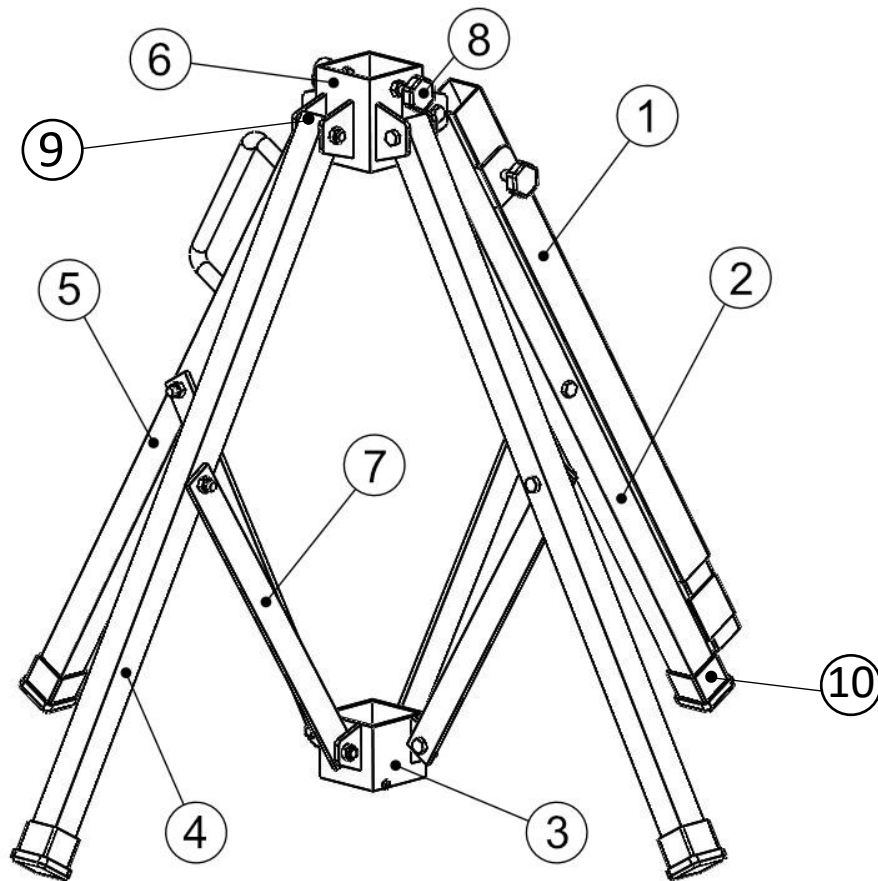
- **NUM.** indicates the reference number of the drawing in the set.
- **MODELO TORRE / TOWER MODEL** indicates the model of the tower which contains this set.
- **REF.** indicates the reference of the set in the tower or towers.
- **CANT./ QTY y DETALLE/DETAIL** indicate the quantity and description of the elements inside the set of the indicated reference.

IMPORTANT

- To order a spare, it is only necessary indicating the reference (REF.) and specify the necessary quantity. The numbers that include several pieces simbolize the pack of pieces that make up this spare part.
- In many cases, the spare parts are grouped in complete sets. The possibility of separating pieces from their set is not contemplated.
- Spare parts may suffer some changes with respect to the drawing that represent them, but unless otherwise indicated, they will be fully compatible.
- Remember that the handling and replacement of these parts are subjected to qualified service and authorized personnel. Failure to comply with this rule would void the guarantee.

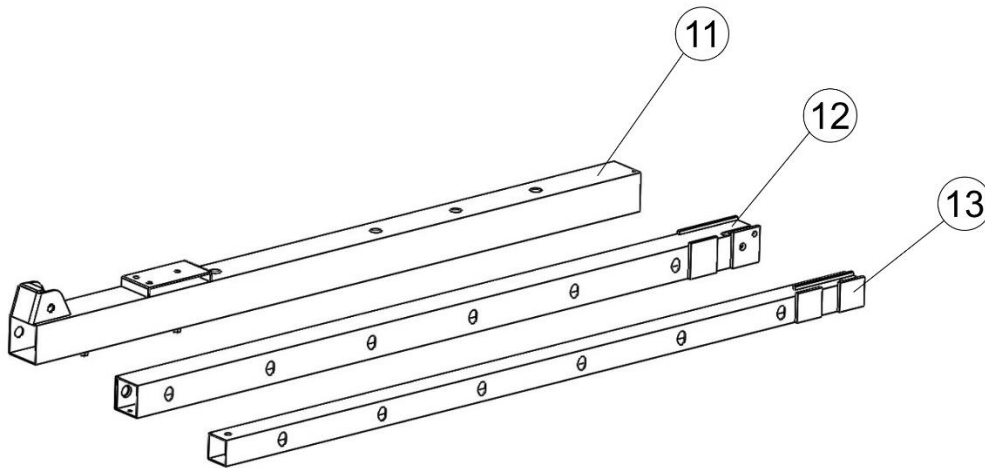
RECAMBIOS BASES Y TRAMOS / BASES AND MASTS SPARE PARTS

T101D



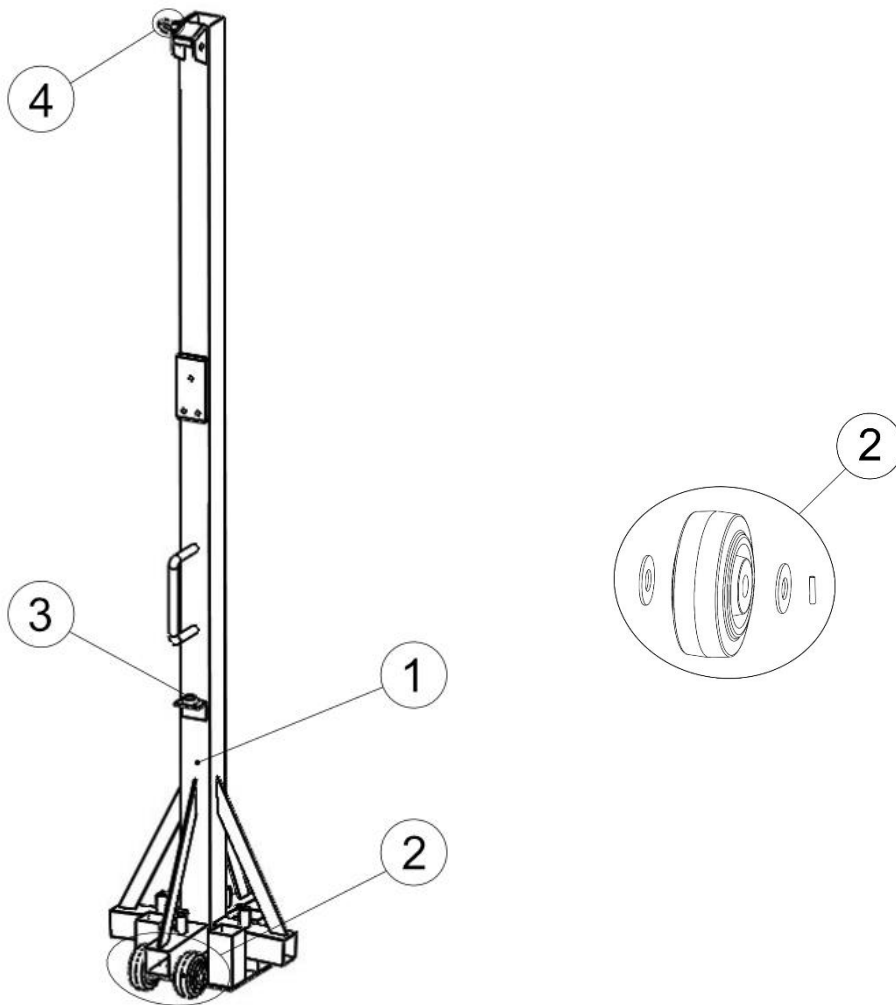
NUM.	MODELO TORRE / TOWER MODEL	REF.	CONTIENE / INCLUDES	
			CANT./QTY	DETALLE / DETAIL
1	T101D	SETSPRO01	1	Perfil prolongador / extender profile 40x40x1,5x595
			1	Perfil prolongador / extender profile 35x35x1,5x180
			1	Tornillo corto accesorios / short screw for accessories
			1	Pomo cromado / chromed handgrip
			1	Tornillo / screw DIN936 M10
2	T101D	SETSPATA10	1	Perfil pata / leg profile 40x40x1,5x50
			1	Perfil pata / leg profile 30x30x1,5x765
			1	Perfil pata / leg profile 50x50x3x40
			1	Pomo negro / black handgrip M8x35
			1	Arandela / washer DIN9021 M8
			2	Tornillo / screw DIN931 M8x50
			2	Tuerca / nut DIN985 M8
3	T101D	SETSIJO01	1	Perfil fijo / fixed profile 70x70x4x67
			4	Tornillo / screw DIN933 M8x20
			4	Tuerca / nut DIN985 M8
			4	Orejeta / ear grip 50x30x5

NUM.	MODELO TORRE / TOWER MODEL	REF.	CONTIENE / INCLUDES	
			CANT./QTY	DETALLE / DETAIL
4	T101D	SETSPATA01	1	Perfil pata / leg profile 30x30x1,5x765
			1	Arandela / washer DIN9021 M8
			2	Tornillo / screw DIN931 M8x50
			2	Tuerca / nut DIN985 M8
5	T101D	SETSPATA09	1	Perfil pata con asa / handle leg profile 30x30x1,5x765
			1	Asa / handle
			1	Arandela / washer DIN9021 M8
			2	Tornillo / screw DIN931 M8x50
			2	Tuerca / nut DIN985 M8
6	T101D	SETSMOVI01	1	Perfil móvil / mobile profile 70x70x4x88
			4	Perfil en U / U form profile
			1	Tuerca / nut DIN934 M8
7	T101D	SETSTIDE01	4	Perfil / profile 20x6x370
8	T101D	SETSBAO02	1	Pomo / handgrip M10x20
9	T101D	PIEZA1412	4	Contera interior / interior rubber stopper 30x30
10	T101D	PIEZA1438	4	Contera exterior / outside rubber stopper 30x30



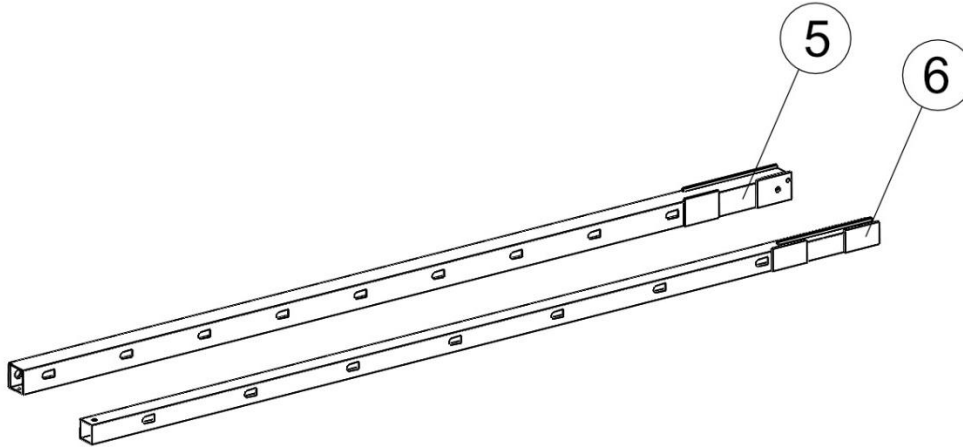
NUM.	MODELO TORRE / TOWER MODEL	REF.	CONTIENE / INCLUDES	
			CANT./QTY	DETALLE / DETAIL
11	T101D	SETSBASE14	1	Perfil tramo base / profile base mast 60x60x2x1140
			1	Macizo redondo / solid round Ø5x40
			1	Chapa cabrestante / winch plate 140x70x16
			1	Pletina / platten 40x5x55
12	T101D	SETSTR104	1	Perfil tramo 1 / profile 1 mast 50x50x1,5x1170
			1	Cartela base inferior / lower platten 40x6x46
			1	Pletina / platten 5x5x55
			2	Platina / platten 50x5x55
13	T101D	SETSTR211	1	Perfil tramo 2 / profile 2 mast 40x40x1,5x1220
			2	Pletina / platten 80x5x45
			1	Pletina / platten 6x6x170
			1	Tuerca / nut DIN934 M10

T102D



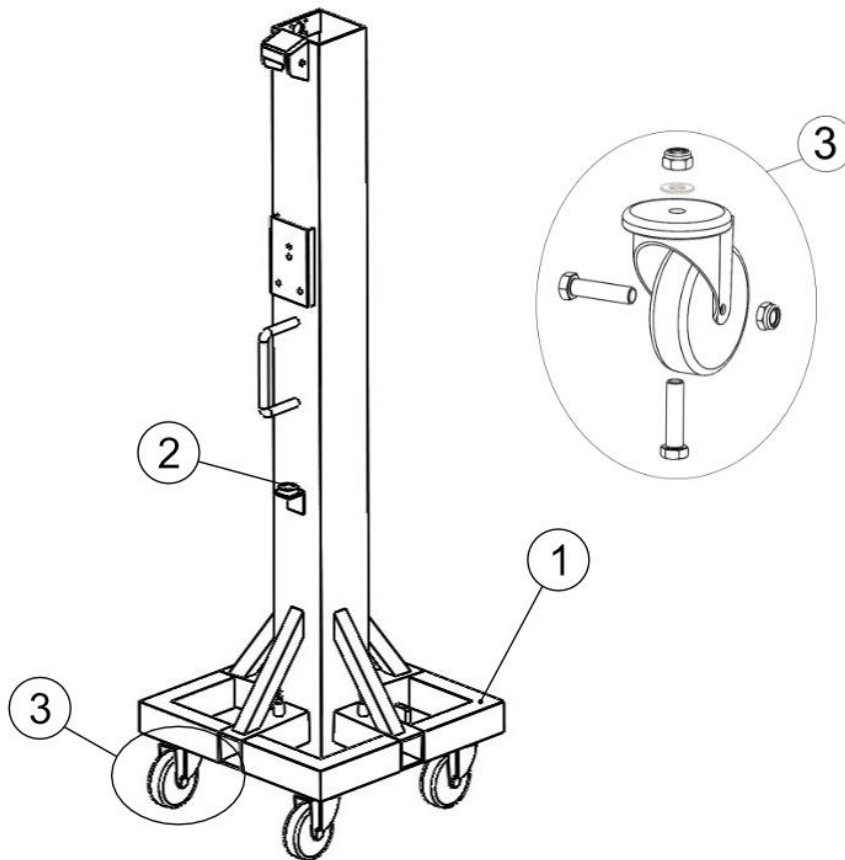
NUM.	MODELO TORRE / TOWER MODEL	REF.	CONTIENE / INCLUDES	
			CANT./QTY	DETALLE / DETAIL
1	T102D	SETSBASE15	1	Perfil / profile D35x2x10
			4	Perfil / profile 50x50x1,5x149
			4	Perfil / profile 50x50x1,5x110
			1	Macizo redondo / round solid D5x40
			1	Perfil / profile 60x60x2x1850
			1	Chapa cabrestante / winch plate 140x70x16
			1	Orejeta Wire drive / Wire drive ear
			1	Plancha base / Base plate
			1	Asa / handle D13x260
			4	Pletina / plate 30x4x290
			1	Pletina angulada / angled plate 40x40x4x50
			1	Pletina interior / inner plate 40x3x55
			2	Arandela / washer DIN125 M6
			4	Mosquetón base / base carabiner

NUM.	MODELO TORRE / TOWER MODEL	REF.	CONTIENE / INCLUDES	
			CANT./QTY	DETALLE / DETAIL
2	T102D	SETSBARU04	1	Rueda / wheel 829.080.0/30 PP N/GN LI
			2	Arandela / washer DIN125 M12
			2	Pasador elástico / elastic DIN1481 M3x20
			2	Arandela especial / special washer M12x1
3	T102D	SETSBANI01	1	Nivel de burbuja / bubble level 30 mm
4	T102D	SETSMOPE01	1	Mosquetón pequeño / small carabiner
			4	Arandela / washer DIN125 M6
			4	Tornillo / screw DIN912 M6x12

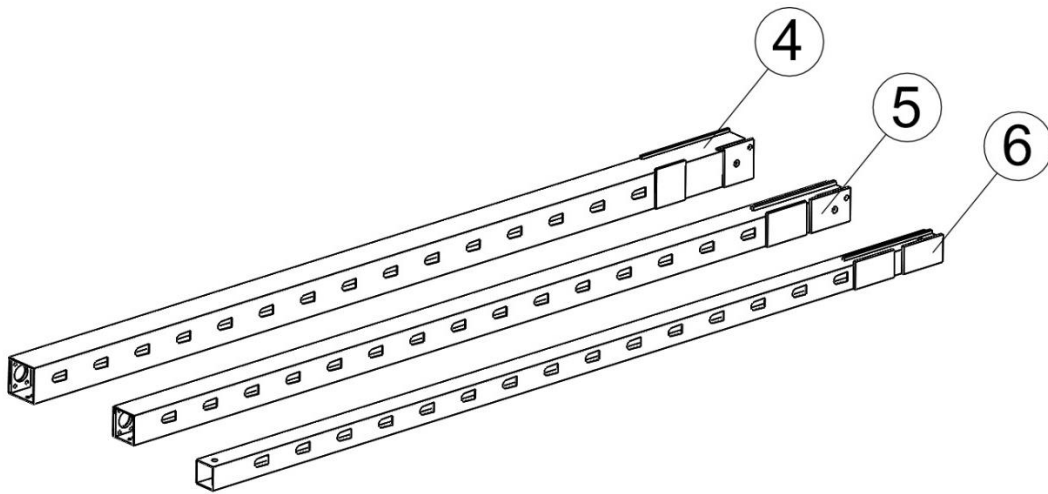


NUM.	MODELO TORRE / TOWER MODEL	REF.	CONTIENE / INCLUDES	
			CANT./QTY	DETALLE / DETAIL
5	T102D	SETSTR102	1	Perfil tramo 1 / profile 1 mast 50x50x1,5x1800
			2	Pletina / platten 80x5x55
			1	Pletina / platten 5x5x220
6	T102D	SETSTR202	1	Perfil tramo 2 / profile 2 mast 40x40x1,5x1845
			2	Pletina / platten 80x5x45
			1	Pletina / platten 6x6x170

T103D

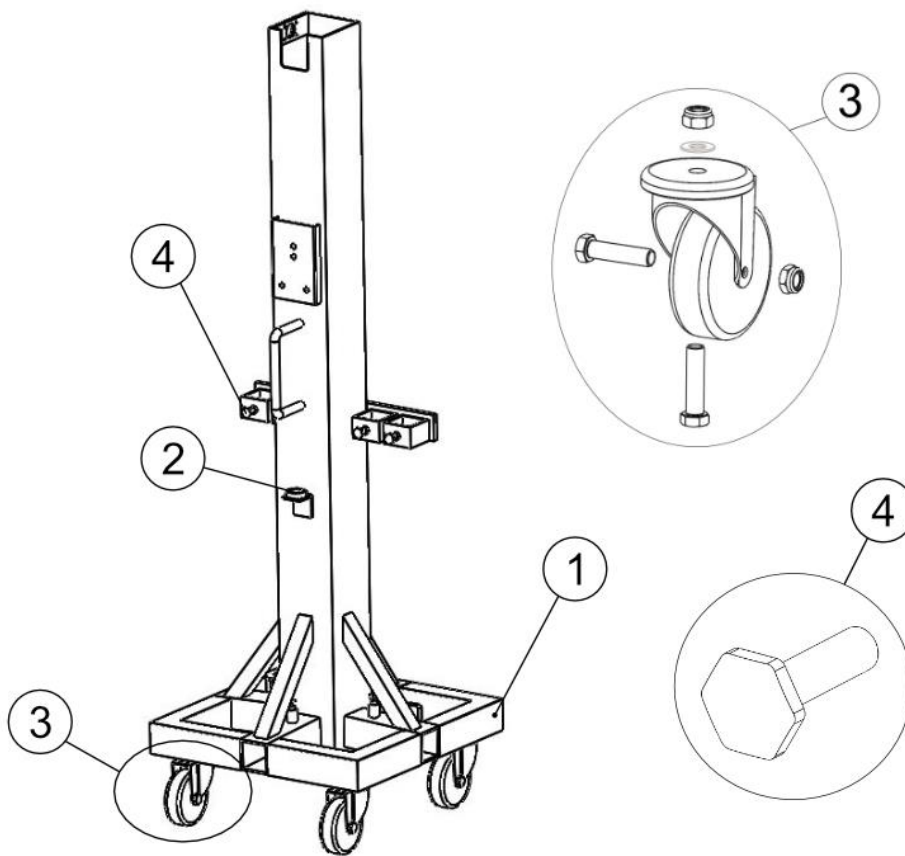


NUM.	MODELO TORRE / TOWER MODEL	REF.	CONTIENE / INCLUDES	
			CANT./QTY	DETALLE / DETAIL
1	T103D	SETSBASE16	1	Perfil / profile 70X70x2x1438
			1	Perfil / profile \varnothing 35x2x10
			4	Perfil / profile 30x30x1,5x275
			4	Perfil / profile 50x50x1,5x149
			8	Perfi / profile 50x30x2x160
			4	Perfil / profile 50x50x1,5x110
			1	Macizo redondo / round solid D5x40
			1	Chapa cabrestante / winch plate 140x70x16x3
			4	Pletina base rueda / wheel base plate
			1	Orejeta Wire drive / Wire drive ear
			1	Asa / handle D13x260
			1	Pletina angulada / angled plate 40x40x4x50
			1	Pletina interior / inner plate 40x3x65
			4	Pletina / plate 30x4x50
			2	Arandela / washer DIN125 M6
			4	Mosquetón base / base carabiner
2	T103D	SETSBANI01	1	Nivel de burbuja / bubble leveler 30 mm
3	T103D	SETSBARU03	1	Rueda / wheel 829.080.1 PN PPN GN LI
			1	Arandela / washer DIN985 M12
			1	Tornillo / screw DIN933 M12x35



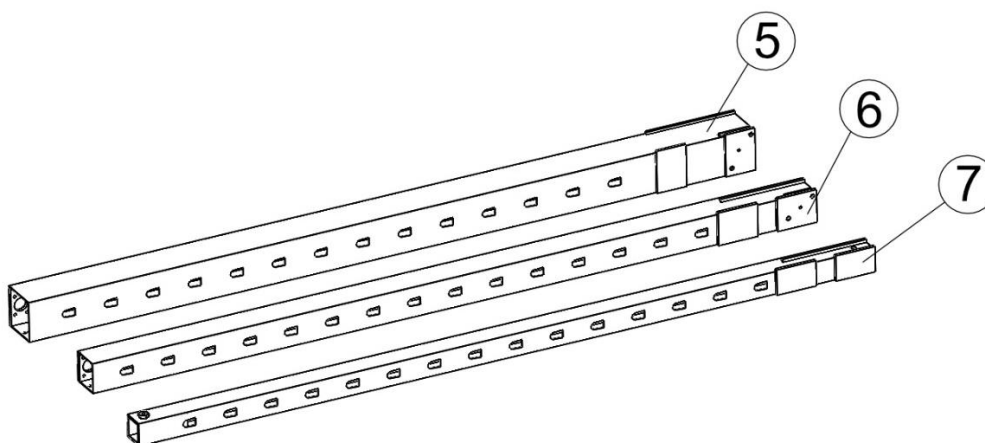
NUM.	MODELO TORRE / TOWER MODEL	REF.	CONTIENE / INCLUDES	
			CANT./QTY	DETALLE / DETAIL
4	T103D	SETSTR103	1	Perfil tramo 1 / profile 1 mast 60x60x1,5x1485
			1	Pletina / platten 60x5x65
			1	Pletina / platten 5x5x180
5	T103D	SETSTR203	1	Perfil tramo 2 / profile 2 mast 50x50x1,5x1468
			1	Pletina / platten 80x5x56
			1	Platina / platten 6x6x17
6	T103D	SETSTR303	1	Perfil tramo 3 / profile 3 mast 40x40x1,5x1515
			1	Pletina / platten 80x5x45
			1	Pletina / platten 6x6x17

T104D



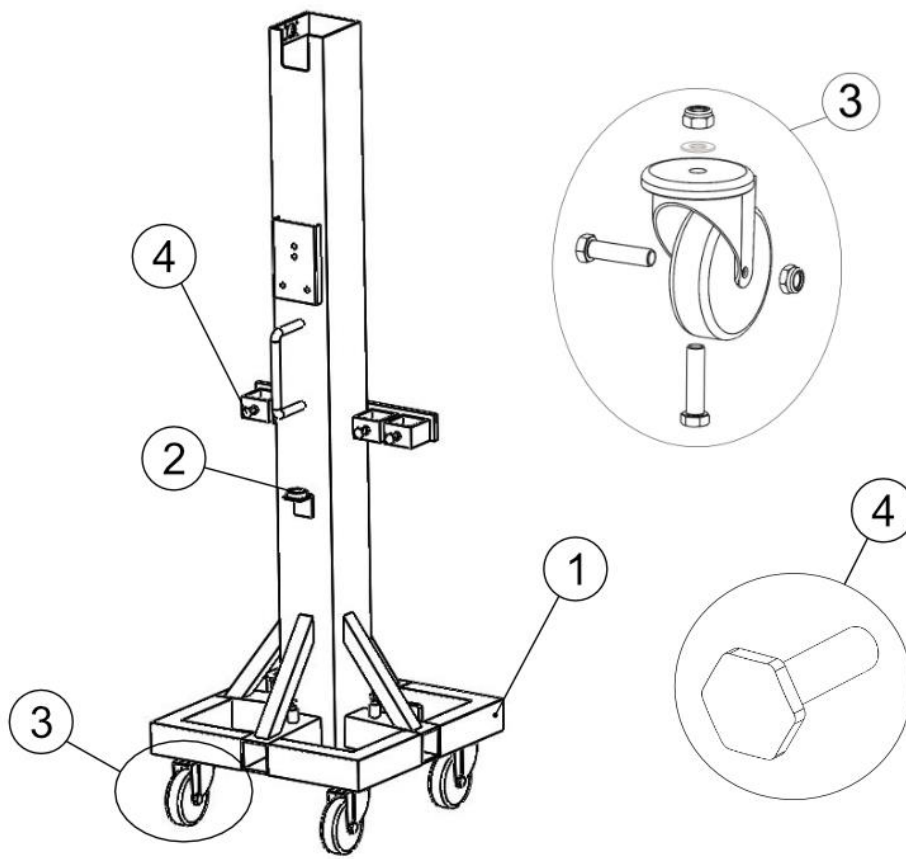
NUM.	MODELO TORRE / TOWER MODEL	REF.	CONTIENE / INCLUDES	
			CANT./QTY	DETALLE / DETAIL
1	T104D	SETSBASE17	1	Perfil / profile $\varnothing 35 \times 2 \times 10$
			8	Perfi / profile 60x40x2x200
			1	Perfil / profile 100X100x2x1400
			4	Perfil / profile 30x30x1,5x320
			4	Perfil / profile 60x60x4x179
			1	Chapa cabrestante / winch plate
			4	Pletina base rueda / wheel base plate
			1	Orejeta Wire drive / Wire drive ear
			1	Asa / handle D13x260
			1	Pletina de ajuste / ajust plate 30x15
			4	Pletina / plate 30x12x33
			1	Pletina / plate 30x12x40
			1	Pletina angulada / angled plate 40x40x4x50
			1	Pletina interior / inner plate 40x5x95
			4	Arandela / washer DIN934 M8

NUM.	MODELO TORRE / TOWER MODEL	REF.	CONTIENE / INCLUDES	
			CANT./QTY	DETALLE / DETAIL
2	T104D	SETSBANI01	1	Nivel de burbuja / bubble leveler 30 mm
3	T104D	SETSBARU05	1	Rueda /Wheel 829.100.1 PN PP-N/PU.N
			1	Arandela / washer DIN985 M12
			1	Tornillo / screw DIN933 M12x35
4	T104D	SETSBAPO01	1	Pomo / handle Starplast T33 ERZ M8x20

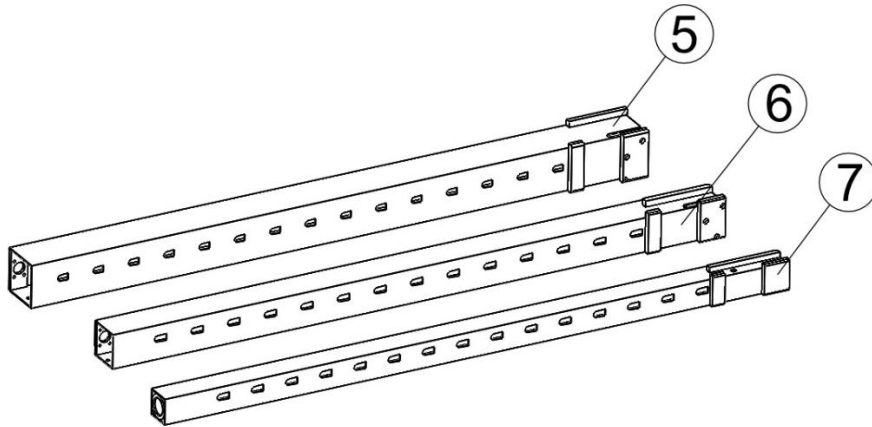


NUM.	MODELO TORRE / TOWER MODEL	REF.	CONTIENE / INCLUDES	
			CANT./QTY	DETALLE / DETAIL
5	T104D	SETSTR201	1	Perfil tramo 1 / profile 1 mast 80x80x2x1450
			1	Pletina / platten 70x14x94
			1	Pletina / platten 30x14x94
			1	Pletina / platten 14x14x120
			1	Pletina / platten 40x5x75
6	T104D	SETSTR301	1	Perfil tramo 2 / profile 2 mast 60x60x2x1450
			1	Pletina / platten 40x3x55
			1	Pletina / platten 30x14x75
			1	Pletina / platten 14x14x120
7	T104D	SETSTR402	1	Perfil tramo 3 / profile 3 mast 45x45x2x1475
			2	Pletina / platten 50x10x55
			1	Tuerca / nut DIN934 M10
			1	Pletina / platten 10x10x120

T105D

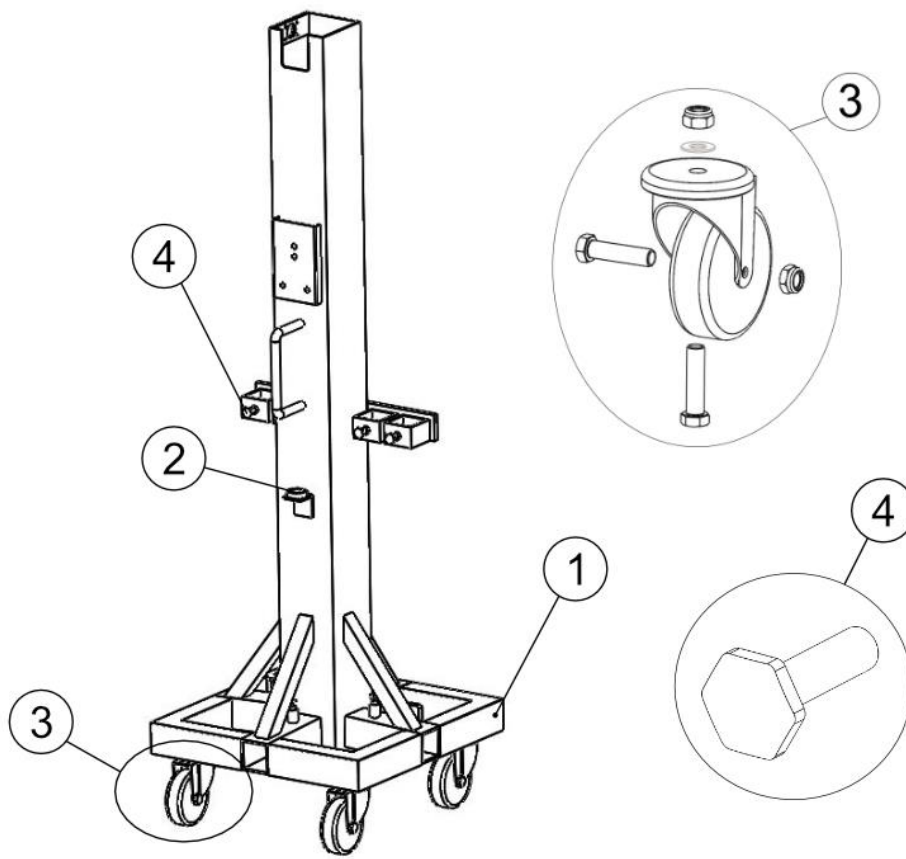


NUM.	MODELO TORRE / TOWER MODEL	REF.	CONTIENE / INCLUDES	
			CANT./QTY	DETALLE / DETAIL
1	T105D	SETSBASE19	1	Perfil / profile $\varnothing 35 \times 2 \times 10$
			1	Perfil / profile $120 \times 120 \times 3 \times 1415$
			8	Perfi / profile $60 \times 40 \times 2 \times 200$
			4	Perfil / profile $60 \times 60 \times 4 \times 170$
			4	Perfil / profile $30 \times 30 \times 1,5 \times 330$
			1	Chapa cabrestante / winch plate
			4	Pletina base rueda / wheel base plate
			1	Orejeta Wire drive / Wire drive ear
			1	Asa / handle $D13 \times 260$
			4	Pletina / plate $30 \times 12 \times 33$
			1	Pletina / plate $30 \times 12 \times 40$
			1	Pletina interior / inner plate $40 \times 5 \times 112$
			1	Pletina angulada / angled plate $40 \times 40 \times 4 \times 50$
			1	Pletina / plate $\varnothing 13 \times 40$
			4	Arandela / washer DIN934 M8
			4	Mosquetón base / base carabiner
2	T105D	SETSBANI01	1	Nivel de burbuja / bubble leveler 30 mm
3	T105D	SETSBARU05	1	Rueda / wheel 829.100.1 PN PP-N/PU.N
			1	Arandela / washer DIN985 M12
			1	Tornillo / screw DIN933 M12x35
4	T105D	SETSBAPO01	1	Pomo / handle Starplast T33 ERZ M8x20

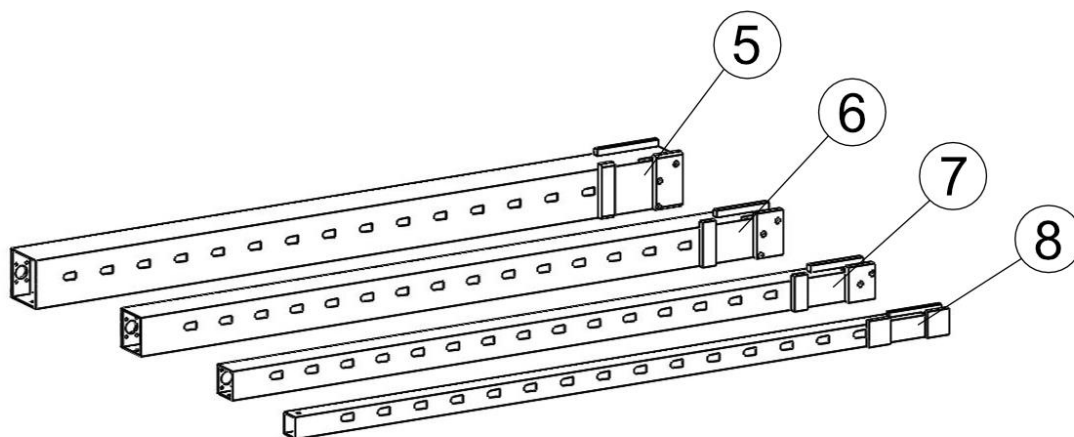


NUM.	MODELO TORRE / TOWER MODEL	REF.	CONTIENE / INCLUDES	
			CANT./QTY	DETALLE / DETAIL
5	T105D	SETSTR101	1	Perfil tramo 1 / profile 1 mast 100x100x2x1460
			1	Pletina / platten 70x12x112
			1	Pletina / platten 30x12x1
			1	Pletina / platten 40x5x95
			1	Pletina / platten 12x12x140
6	T105D	SETSTR201	1	Perfil tramo 2 / profile 2 mast 80x80x2x1450
			1	Pletina / platten 70x14x94
			1	Pletina / platten 30x14x94
			1	Pletina / platten 14x14x120
			1	Pletina / platten 40x5x75
7	T105D	SETSTR302	1	Perfil tramo 3 / profile 3 mast 60x60x2x1475
			1	Pletina / platten 14x14x120
			1	Contera grande / big tip profile
			1	Tuerca / nut DIN934 M10
			1	Pletina / platten 30x14x74
			1	Pletina / platten 40x3x55

T106D

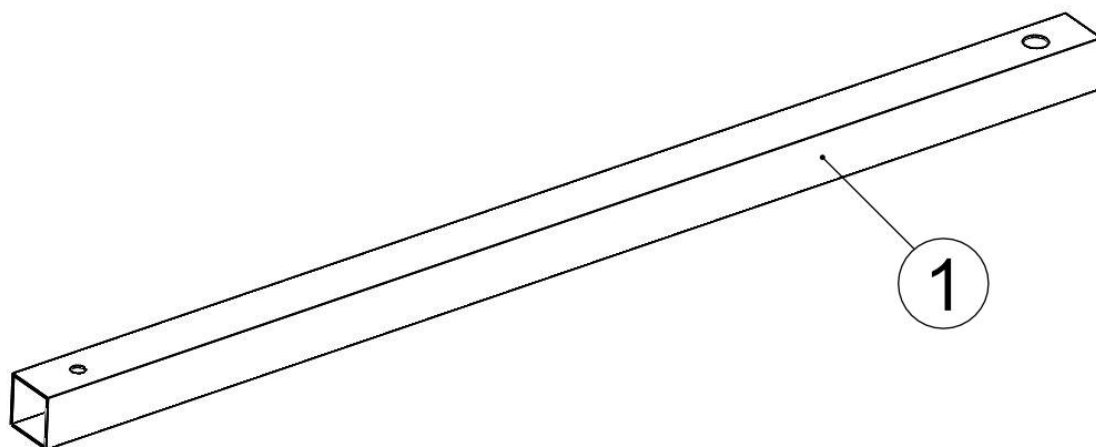


NUM.	MODELO TORRE / TOWER MODEL	REF.	CONTIENE / INCLUDES	
			CANT./QTY	DETALLE / DETAIL
1	T106D	SETSBASE19	1	Perfil / profile $\varnothing 35 \times 2 \times 10$
			1	Perfil / profile $120 \times 120 \times 3 \times 1415$
			8	Perfi / profile $60 \times 40 \times 2 \times 200$
			4	Perfil / profile $60 \times 60 \times 4 \times 170$
			4	Perfil / profile $30 \times 30 \times 1,5 \times 330$
			1	Chapa cabrestante / winch plate
			4	Pletina base rueda / wheel base plate
			1	Orejeta Wire drive / Wire drive ear
			1	Asa / handle $D13 \times 260$
			4	Pletina / plate $30 \times 12 \times 33$
			1	Pletina / plate $30 \times 12 \times 40$
			1	Pletina interior / inner plate $40 \times 5 \times 112$
			1	Pletina angulada / angled plate $40 \times 40 \times 4 \times 50$
			1	Pletina / plate $\varnothing 13 \times 40$
			4	Arandela / washer DIN934 M8
			4	Mosquetón base / base carabiner
2	T106D	SETSBANI01	1	Nivel de burbuja / bubble leveler 30 mm
3	T106D	SETSBARU05	1	Rueda / wheel 829.100.1 PN PP-N/PU.N
			1	Arandela / washer DIN985 M12
			1	Tornillo / screw DIN933 M12x35
4	T106D	SETSBAP001	1	Pomo / handle Starplast T33 ERZ M8x20



NUM.	MODELO TORRE / TOWER MODEL	REF.	CONTIENE / INCLUDES	
			CANT./QTY	DETALLE / DETAIL
5	T106D	SETSTR101	1	Perfil tramo 1 / profile 1 mast 100x100x2x1460
			1	Pletina / platten 70x12x112
			1	Pletina / platten 30x12x1
			1	Pletina / platten 40x5x95
			1	Pletina / platten 12x12x140
6	T106D	SETSTR201	1	Perfil tramo 2 / profile 2 mast 80x80x2x1450
			1	Pletina / platten 70x14x94
			1	Pletina / platten 30x14x94
			1	Pletina / platten 14x14x120
			1	Pletina / platten 40x5x75
7	T106D	SETSTR301	1	Perfil tramo 3 / profile 3 mast 60x60x2x1450
			1	Pletina / platten 14x14x120
			1	Pletina / platten 30x14x75
			1	Pletina / platten 40x3x55
8	T106D	SETSTR401	1	Perfil tramo 4 / profile 4 mast 45x45x3x1475
			2	Pletina / platten 50x10x55
			1	Pletina / platten 10x10x120
			1	Tuerca / nut DIN934 M10

RECAMBIOS PATAS / SPINDLE SPARE



T102D / T103D

NUM.	MODELO TORRE / TOWER MODEL	REF.	CONTIENE / INCLUDES	
			CANT./QTY	DETALLE / DETAIL
1	T102D / T103D	SETSPATA02	1	Perfil / profile 45x45x1,5x995
			1	Casquillo / spile $\varnothing 20 \times 40,70$ M14
			1	Contera negra / plastic black cover 45x45

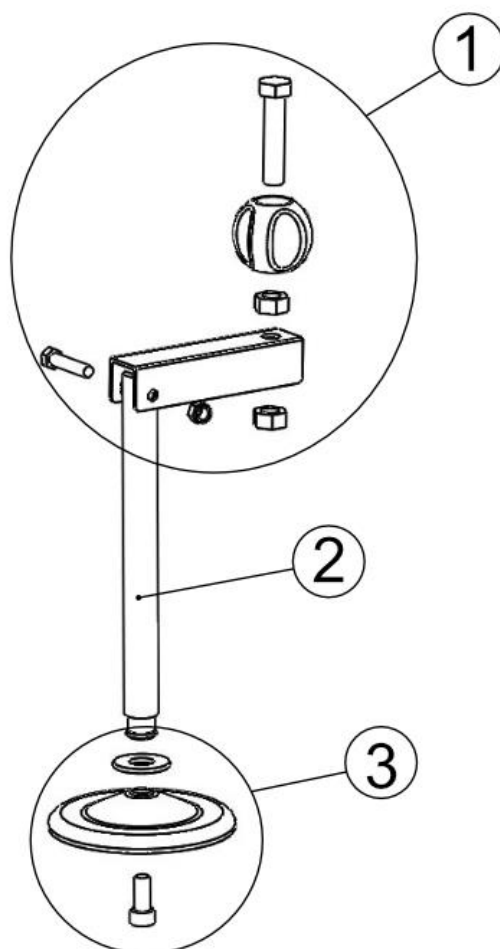
T104D / T105D

NUM.	MODELO TORRE / TOWER MODEL	REF.	CONTIENE / INCLUDES	
			CANT./QTY	DETALLE / DETAIL
1	T104D / T105D	SETSPATA03	1	Perfil / profile 50x50x2x995
			1	Casquillo / spile $\varnothing 22 \times 50$ M16
			1	Contera negra / plastic black cover 50x50

T106D

NUM.	MODELO TORRE / TOWER MODEL	REF.	CONTIENE / INCLUDES	
			CANT./QTY	DETALLE / DETAIL
1	T106D	SETSPATA04	1	Perfil / profile 50x50x2x1195
			1	Casquillo / spile $\varnothing 22 \times 50$ M16
			1	Contera negra / plastic black cover 50x50

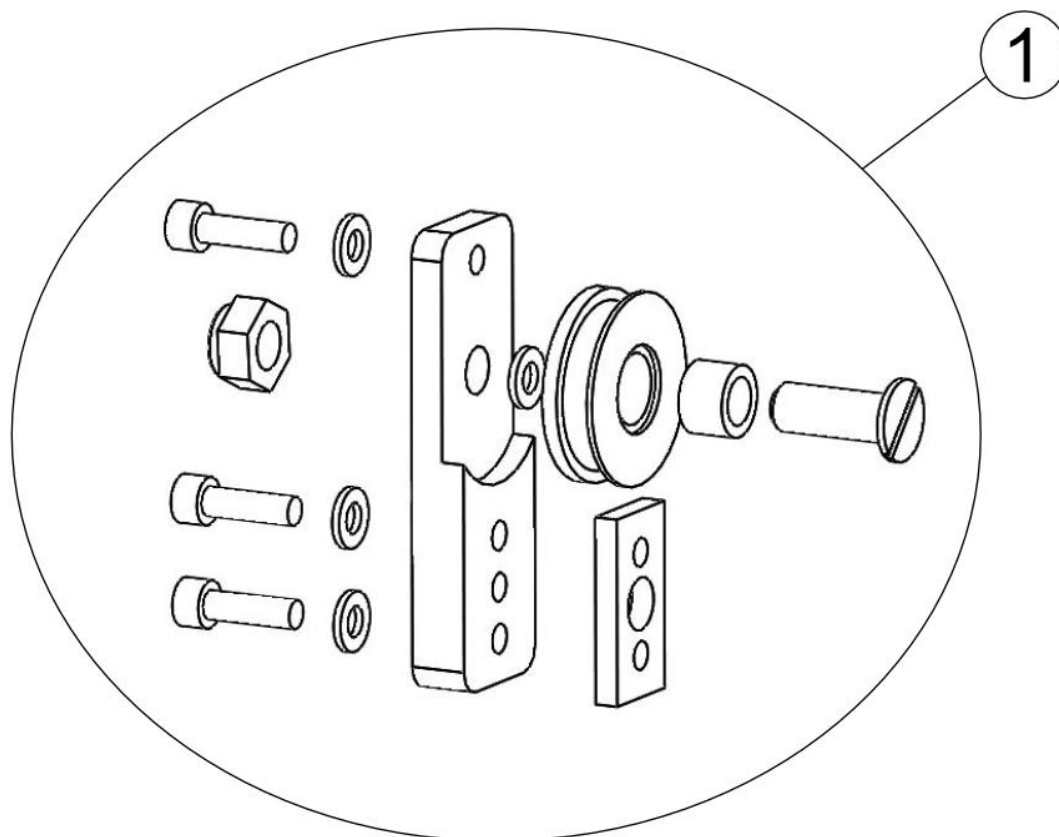
RECAMBIOS NIVELADOR PATAS / LEG SPINDLE SPARE



T102D / T103D / T104D / T105 / T106D

NUM.	MODELO TORRE / TOWER MODEL	REF.	CONTIENE / INCLUDES	
			CANT./QTY	DETALLE / DETAIL
1	T102D / T103D / T104D / T105D / T106D	SETSPAPO04	1	Pomo 4 lados / handgrip 4 sides
			1	Pletina en U / U profile M16x90x50
			2	Tuerca / nut DIN934 M8
			1	Tuerca / nut DIN985 M5
			1	Tornillo / screw DIN931 M8x40
			1	Tornillo / screw DIN933 M5x25
2	T102D / T103D	SETSPAES04	1	Varilla roscada / threaded rod M14x160
2	T104D / T105D / T106D	SETSPAES05	1	Varilla roscada / threaded rod M16x245
3	T102D / T103D / T104D / T105D / T106D	SETSPANIO1	1	Plástico del plato / plate's plastic Ø80
			1	Plato estabilizador / stabilizer plate Ø80
			1	Arandela / standard washer M11
			1	Arandela presión / spring lock washer DIN127B M6
			1	Arandela / washer DIN9021 M6
			1	Tornillo / screw DIN912 M6x12

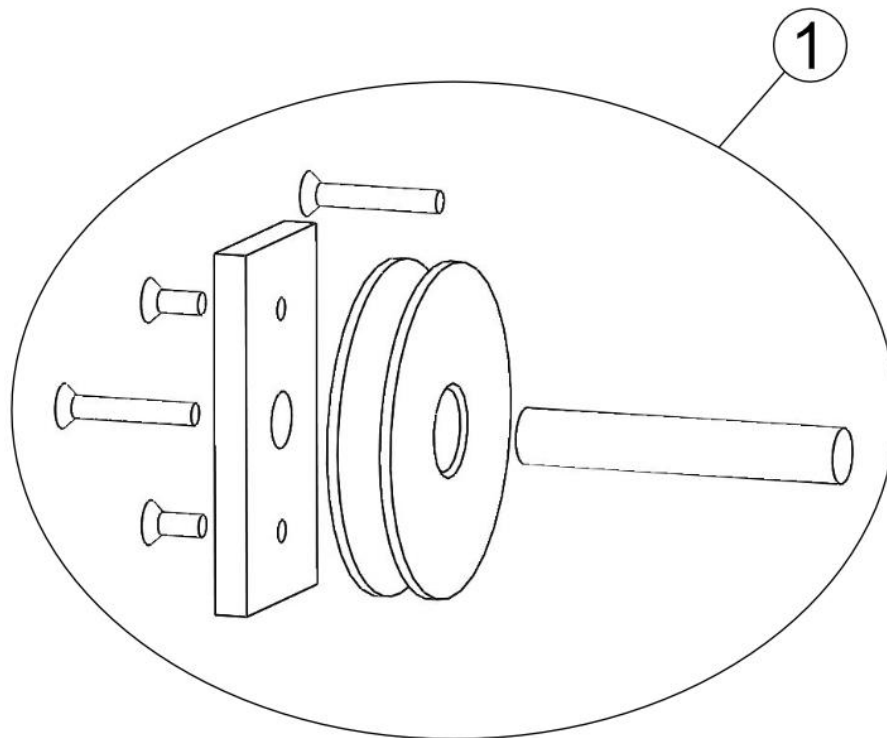
RECAMBIOS PORTAPOLEAS / PULLEY SPARE



NUM.	MODELO TORRE / TOWER MODEL	REF.	CONTIENE / INCLUDES	
			CANT./QTY	DETALLE / DETAIL
1	T101D / T102D / T103D	SETSPOPP08	1	Polea / pulley Ø40x12
			1	Tornillo especial portapoleas / special screw pulley
			1	Rodamiento / bearing 6000 ZZ
			1	Pletina / platen 30x12x95
			1	Pletina de ajuste / adjustment plate 39x20x5
			3	Arandela / washer DIN125 M6
			1	Tuerca / nut DIN985 M10
			1	Arandela / washer DIN125 M10
			3	Tornillo / screw DIN912 M6x20
			1	Polea / pulley Ø55x13
1	T104D / T105D / T106D	SETSPOPP06	1	Tornillo especial portapoleas / special screw pulley
			1	Rodamiento / bearing 6201 2RS
			1	Pletina de ajuste / adjustment plate 30x15
			1	Pletina portapolea / pulley platen 40x15x120
			1	Arandela / washer DIN125 M12
			1	Arandela / washer DIN125 M6
			2	Arandela / washer DIN125 M8
			1	Tornillo / screw DIN912 M6x25
			1	Tuerca / nut DIN985 M12
			2	Tornillo / screw DIN912 M8x25

NUM.	MODELO TORRE / TOWER MODEL	REF.	CONTIENE / INCLUDES				
			CANT./QTY	DETALLE / DETAIL			
1	T105D / T106D	SETSPOPP09	1	Polea / pulley Ø80x15			
			1	Tornillo especial portapoleas / special screw pulley			
			1	Rodamiento / bearing 6001 RS			
			1	Pletina / platen 50x12x155			
			1	Arandela / washer DIN125 M12			
			1	Arandela / washer DIN125 M6			
			2	Arandela / washer DIN125 M8			
			1	Tornillo / screw DIN912 M6x25			
			1	Tuerca / nut DIN985 M12			
			2	Tornillo / screw DIN912 M8x25			
			1	T106D	SETSPOPP07	1	Polea / pulley Ø60x12
						1	Tornillo especial portapoleas / special screw pulley
1	Rodamiento / bearing 6201 2RS						
1	Pletina portapolea / pulley platen 50x15x135						
1	Pletina de ajuste / adjustment plate 30x15						
1	Arandela / washer DIN125 M12						
1	Arandela / washer DIN125 M6						
2	Arandela / washer DIN125 M8						
1	Tornillo / screw DIN912 M6x25						
1	Tuerca / nut DIN985 M12						
2	Tornillo / screw DIN912 M8x25						
1	T104D	SETSPOPP12				1	Polea / pulley Ø60x15
			1	Tornillo especial portapoleas / special screw pulley M12			
			1	Rodamiento / bearing 6201 2RS			
			1	Pletina / platen 50x12x134			
			1	Pletina de ajuste / adjustment plate 30x15			
			2	Arandela / washer DIN125 M8			
			1	Tornillo / screw DIN912 M6x25			
			2	Tornillo / screw DIN912 M8x25			

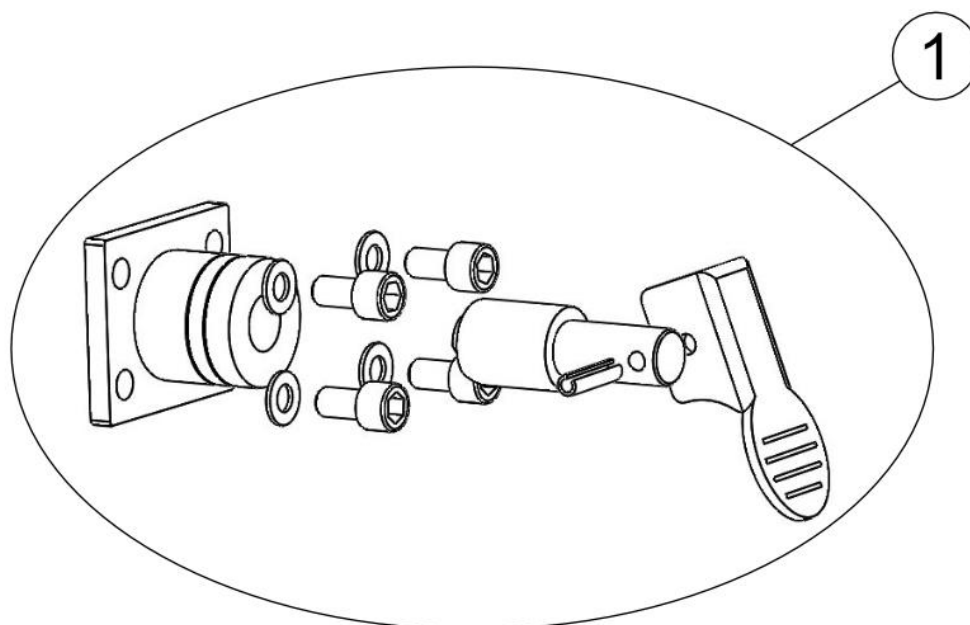
RECAMBIOS POLEAS INTERNAS / INTERNAL PULLEY SPARE



NUM.	MODELO TORRE / TOWER MODEL	REF.	CONTIENE / INCLUDES	
			CANT./QTY	DETALLE / DETAIL
1	T101D / T102D / T103D	SETSP0IN07	1	Polea / pulley Ø50x12
			1	Eje / axis Ø10x50 M5x20
			1	Pletina / platen 40x8x65
			1	Tornillo / screw DIN7991 M5x12
			2	Tornillo / screw DIN963 M4x10
			2	Tornillo / screw DIN963 M4x40
1	T103D / T104D / T106D	SETSP0IN08	1	Polea / pulley Ø60x15
			1	Rodamiento / bearing 6201 2RS
			1	Eje / axis Ø12x59
			1	Pletina / platen 40x8x65
			3	Tornillo / screw DIN963 M6x20
			1	Tornillo / screw DIN963 M6x40
1	T104D	SETSP0IN12	1	Polea / pulley Ø80x15
			1	Eje / axis Ø15x80 M8x30
			1	Rodamiento / bearing 6002 Z
			1	Pletina / platen 40x8x105
			2	Tornillo / screw DIN963 M6x20
			2	Tornillo / screw DIN963 M6x80
			1	Tornillo / screw DIN7991 M8x25
1	T105D	SETSP0IN09	1	Polea / pulley Ø80x15
			1	Rodamiento / bearing 6201 2RS
			1	Eje / axis Ø12x80
			1	Pletina / platen 40x8x85
			2	Tornillo / screw DIN963 M6x40
			3	Tornillo / screw DIN963 M6x20

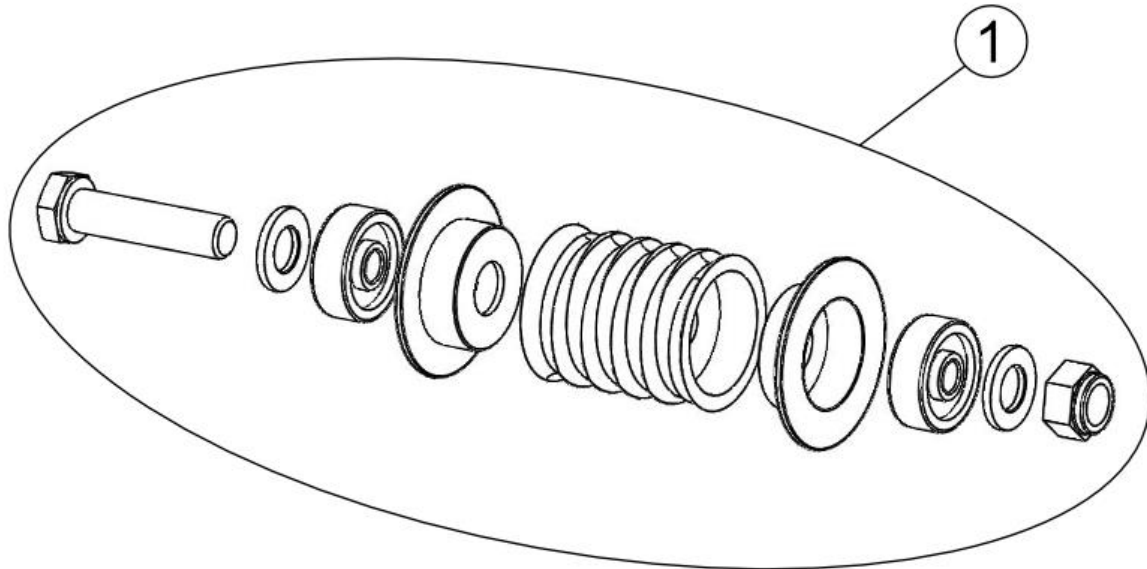
NUM.	MODELO TORRE / TOWER MODEL	REF.	CONTIENE / INCLUDES	
			CANT./QTY	DETALLE / DETAIL
1	T105D / T106D	SETSPOIN11	1	Polea angulada / angled pulley Ø90x15
			1	Rodamiento / bearing 6002 Z
			1	Eje / axis Ø15x100
			1	Pletina / platen 40x8x105
			2	Tornillo / screw DIN963 M6x20
			2	Tornillo / screw DIN963 M6x70
			1	Tornillo / screw DIN7991 M8x25
1	T106D	SETSPOIN10	1	Polea angulada / angled pulley Ø80x15
			1	Rodamiento / bearing 6201 2RS
			1	Eje / axis Ø12x80
			1	Pletina / platen 40x8x85
			2	Tornillo / screw DIN963 M6x40
			3	Tornillo / screw DIN963 M6x20
			1	Tornillo / screw DIN963 M6x80

RECAMBIOS MOSQUETONES / SAFETY LOCKS SPARE



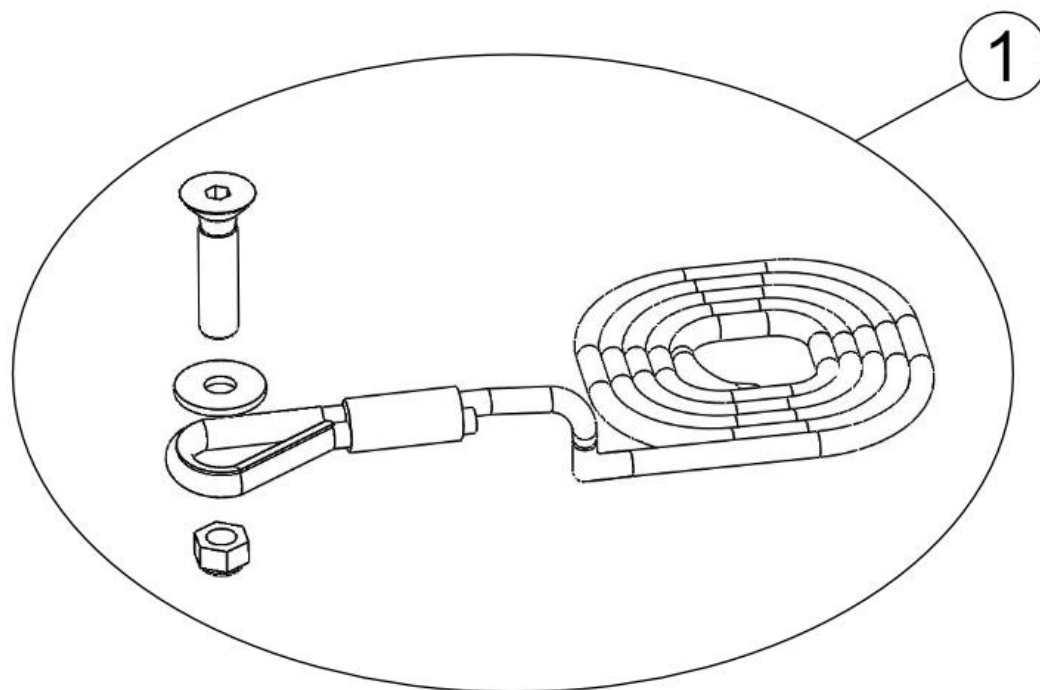
NUM.	MODELO TORRE / TOWER MODEL	REF.	CONTIENE / INCLUDES	
			CANT./QTY	DETALLE / DETAIL
1	T101D / T102D / T103D	SETSMOPE01	1	Mosquetón pequeño / small carabiner
			4	Arandela / washer DIN125 M6
			4	Tornillo / screw DIN912 M6x12
1	T104D / 106D	SETSMOME01	1	Mosquetón mediano / medium carabiner
			1	Tope negro / black top 40x15x7
			2	Tornillo / screw DIN912 M6x25
			2	Tornillo / screw DIN912 M6x12
1	T104D	SETSMOGR01	2	Tuerca / nut DIN934 M6
			1	Mosquetón grande / big carabiner
			4	Tope negro / black top 40x15x7
			4	Tornillo / screw DIN912 M6x25
1	T105D / T106D	SETSMOGR02	4	Tuerca / nut DIN934 M6
			1	Mosquetón grande / big carabiner
			5	Tope negro / black top 40x15x7
			4	Tornillo / screw DIN912 M6x25
			4	Tuerca / nut DIN934 M6

RECAMBIOS POLEA WIRE DRIVE / WIRE DRIVE PULLEY SPARE



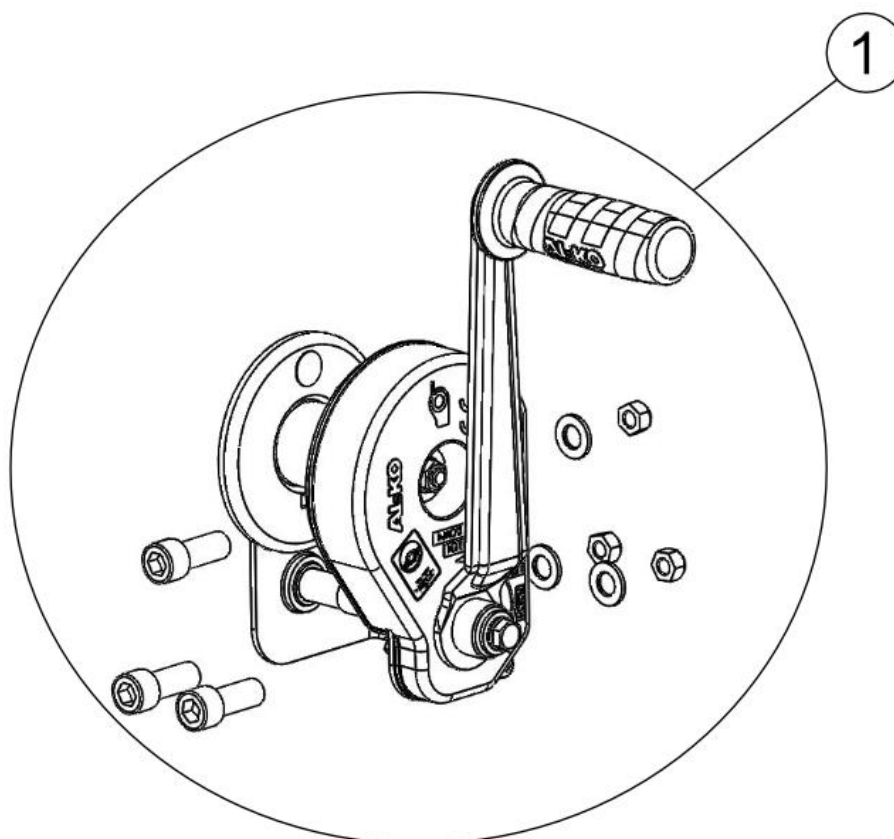
NUM.	MODELO TORRE / TOWER MODEL	REF.	CONTIENE / INCLUDES	
			CANT./QTY	DETALLE / DETAIL
1	T101D / T102D / T103D	SETSWIRE03	1	Rodillo ranurado pequeño / small ribbed roller
			2	Orejeta pequeña / small ear
			2	Rodamiento / bearing 6201 2RS
			2	Arandela / washer DIN125 M12
			1	Tuerca / nut DIN985 M12
			1	Tornillo / screw DIN931 M12x60
1	T104D / T105D / T106D	SETSWIRE02	1	Rodillo ranurado grande / big ribbed roller
			2	Orejeta grande / big ear
			2	Rodamiento / bearing 6201 2RS
			4	Arandela / washer DIN125 M12
			1	Tuerca / nut DIN985 M12
			1	Tornillo / screw DIN931 M12x90

RECAMBIOS CABLE / CABLE SPARE



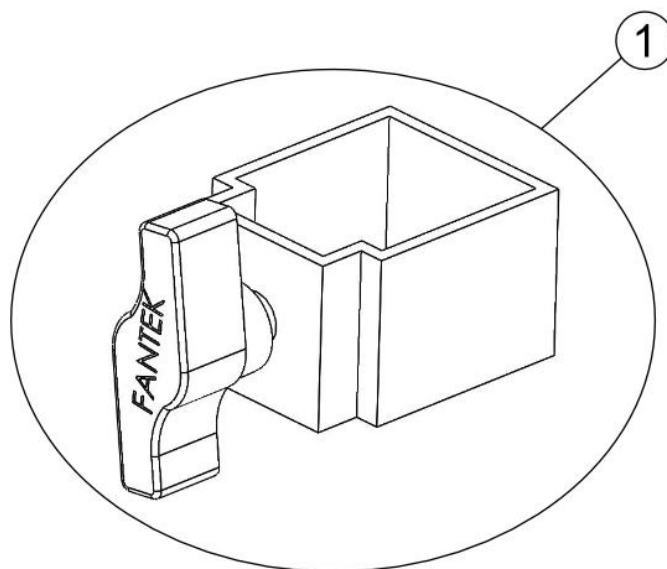
NUM.	MODELO TORRE / TOWER MODEL	REF.	CONTIENE / INCLUDES	
			CANT./QTY	DETALLE / DETAIL
1	T101D	SETSCABL08	1	Cable de acero / steel cable $\varnothing 4 \times 5,25$ m - 206,7 inch
			1	Arandela / Washer DIN9021 M8
			1	Tuerca / nut DIN985 M8
			1	Tornillo / screw DIN7991 M8x25
1	T102D	SETSCABL09	1	Cable de acero / steel cable $\varnothing 4 \times 7$ m - 275,6 inch
			1	Arandela / Washer DIN9021 M8
			1	Tuerca / nut DIN985 M8
			1	Tornillo / screw DIN7991 M8x25
1	T103D	SETSCABL10	1	Cable de acero / steel cable $\varnothing 4 \times 10$ m - 393,7 inch
			1	Arandela / Washer DIN9021 M8
			1	Tuerca / nut DIN985 M8
			1	Tornillo / screw DIN7991 M8x25
1	T104D	SETSCABL11	1	Cable de acero / steel cable $\varnothing 6 \times 10$ m - 393,7 inch
			1	Arandela / Washer DIN9021 M10
			1	Tuerca / nut DIN985 M10
			1	Tornillo / screw DIN7991 M10x35
1	T105D	SETSCABL13	1	Cable de acero / steel cable $\varnothing 7 \times 10$ m - 393,7 inch
			1	Arandela / Washer DIN9021 M12
			1	Tuerca / nut DIN985 M12
			1	Tornillo / screw DIN7991 M12x35
1	T106D	SETSCABL12	1	Cable de acero / steel cable $\varnothing 6 \times 12,5$ m - 492,1 inch
			1	Arandela / Washer DIN9021 M10
			1	Tuerca / nut DIN985 M10
			1	Tornillo / screw DIN7991 M10x35

RECAMBIOS CABRESTANTE / WINCH SPARE

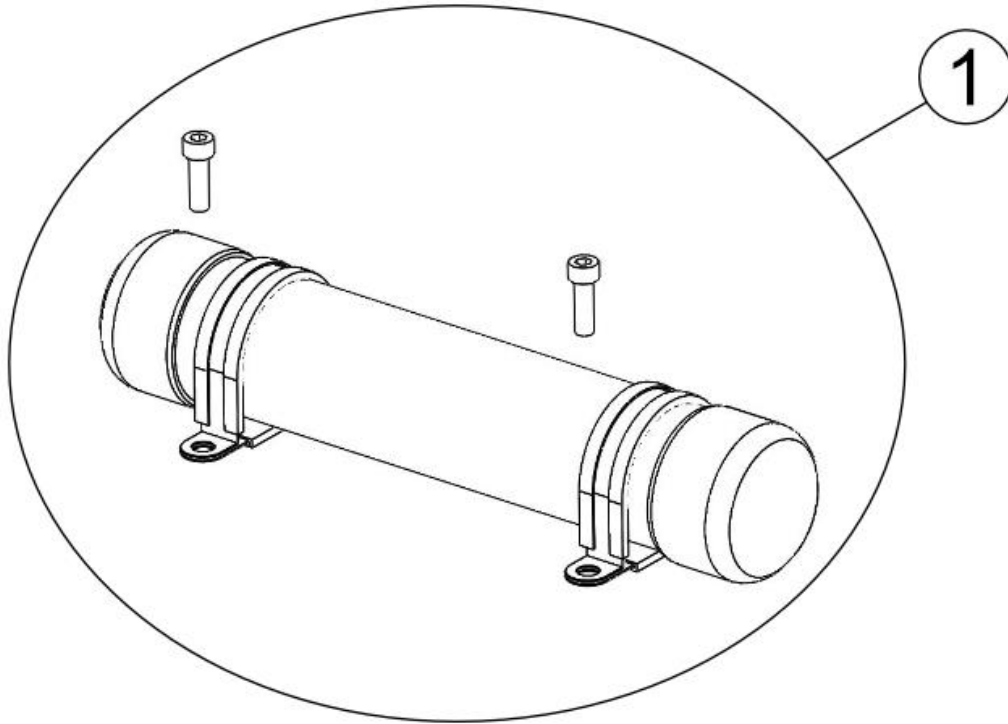


NUM.	MODELO TORRE / TOWER MODEL	REF.	CONTIENE / INCLUDES	
			CANT./QTY	DETALLE / DETAIL
1	T101D / T102D	SETVCABR06	1	Cabrestante / winch 350 kg M-251
			3	Tuerca / nut DIN985 M8
			3	Tornillo / screw DIN912 M8x16
1	T103D / T104D	SETVCABR07	1	Cabrestante / winch 500 kg M-501
			3	Tuerca / nut DIN985 M10
			3	Tornillo / screw DIN912 M10x20
			3	Arandela / washer DIN125 M10
1	T105D / T106D	SETVCABR01	1	Cabrestante / winch 900 kg M-901
			3	Tuerca / nut DIN985 M10
			3	Tornillo / screw DIN912 M10x20
			3	Arandela / washer DIN125 M10

RECAMBIOS CONTERA / NOZZLE SPARE

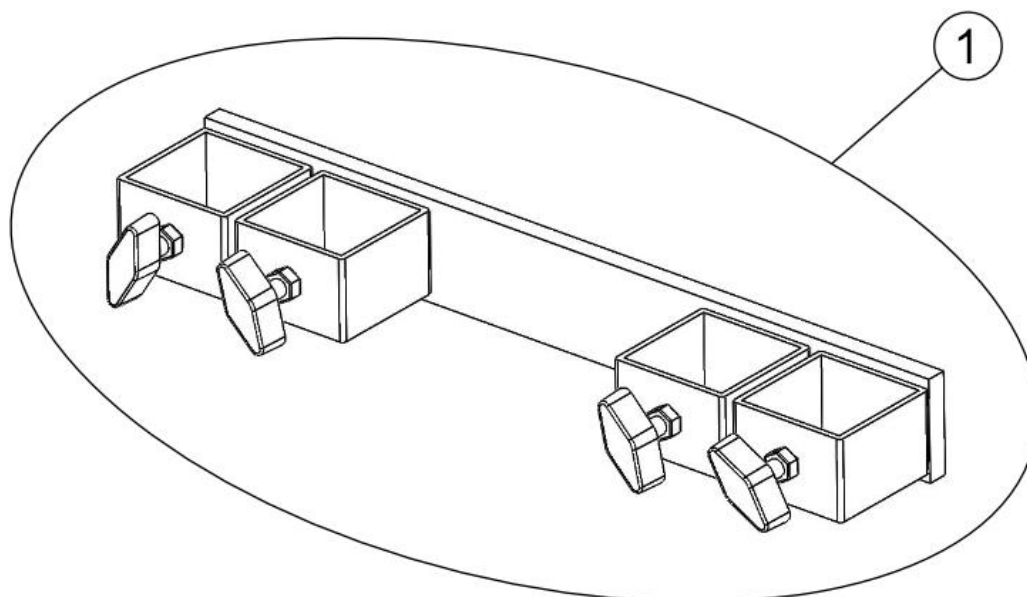


NUM.	MODELO TORRE / TOWER MODEL	REF.	CONTIENE / INCLUDES	
			CANT./QTY	DETALLE / DETAIL
1	T101D / T102D / T103D	SETSTRCO01	1	Contera pequeña / small nozzle
			1	Pomo cromado Fantek / Fantek chromed handgrip
			1	Tornillo / screw DIN912 M10x20
1	T105D	SETSTRCO02	1	Contera grande / big nozzle
			1	Pomo cromado Fantek / Fantek chromed handgrip
			1	Tornillo / screw DIN912 M10x20

RECAMBIOS PORTADOCUMENTOS / DOCUMENTS HOLDER SPARE

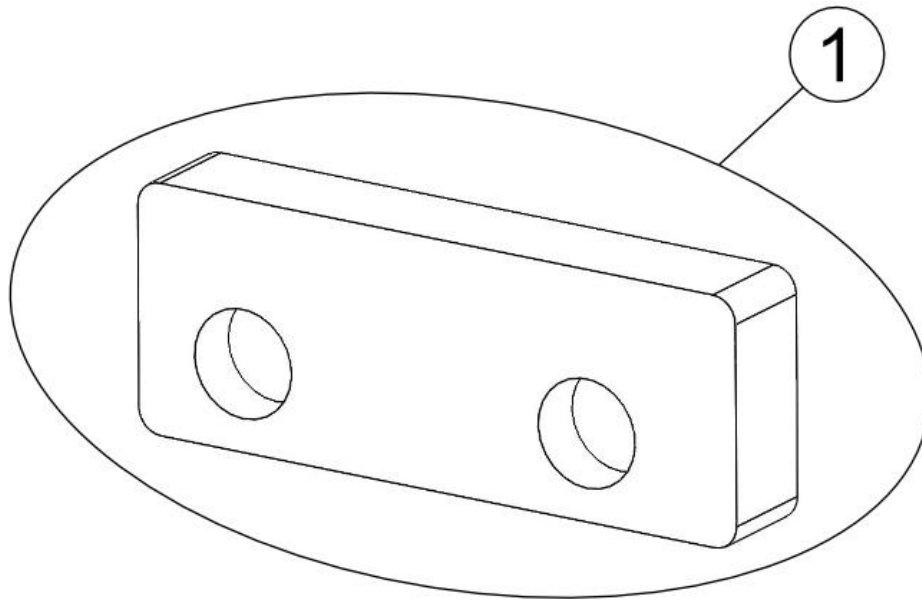
NUM.	MODELO TORRE / TOWER MODEL	REF.	CONTIENE / INCLUDES	
			CANT./QTY	DETALLE / DETAIL
1	T101D / T102D / T103D / T104D / T105D / T106D	PORTADOC1	2	Contera exterior negra / external black nozzle $\varnothing 50$
			2	Abrazadera isofónica / isophonic clamp $\varnothing 50$
			2	Tornillo / screw DIN912 M6x8
			1	Tubo policarbonato / polycarbonate tube

RECAMBIOS PORTAPATAS / LEGS HOLDER SPARE



NUM.	MODELO TORRE / TOWER MODEL	REF.	CONTIENE / INCLUDES	
			CANT./QTY	DETALLE / DETAIL
1	T104D / T105D / T106D	SETSPPT001	4	Perfil en U / U profile 56x60x40
			1	Pletina / platen 50x10x420
			2	Pletina / platen 50x10x93

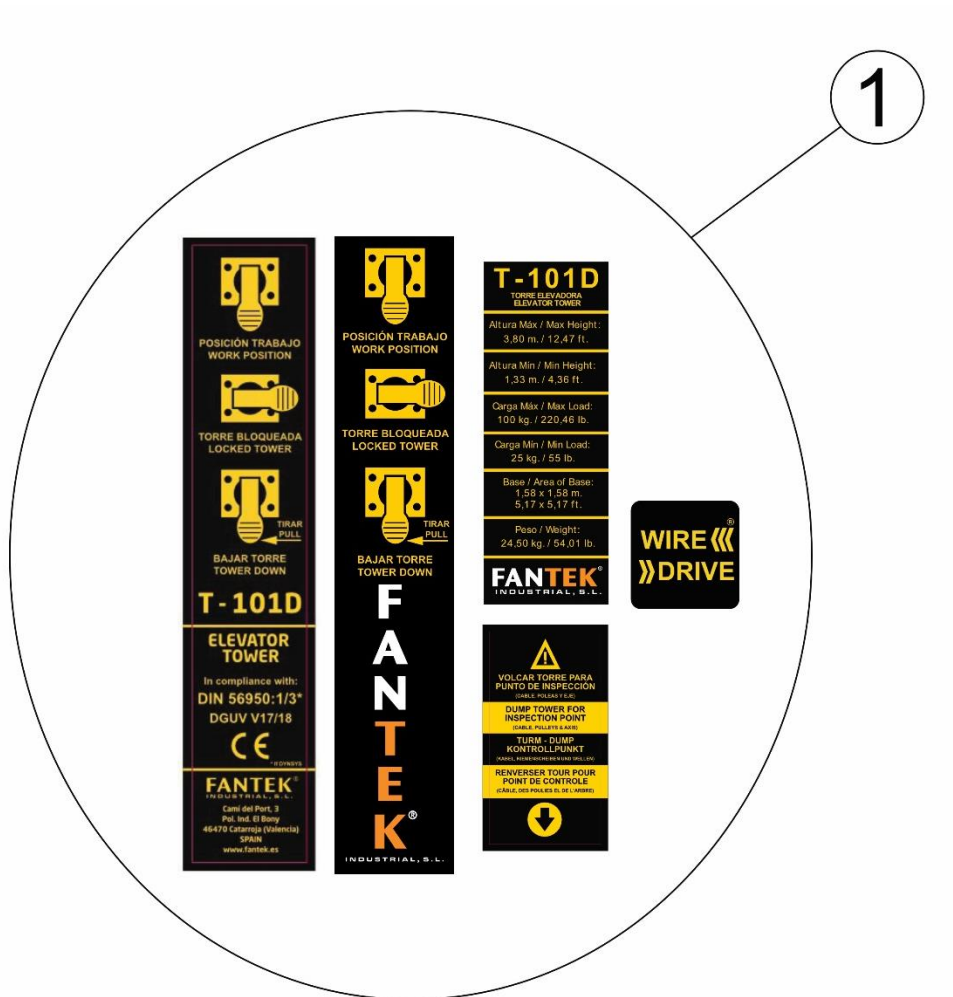
RECAMBIOS PATIN AJUSTE / ADJUSTMENT SHOE SPARE



NUM.	MODELO TORRE / TOWER MODEL	REF.	CONTIENE / INCLUDES	
			CANT./QTY	DETALLE / DETAIL
1	T104D / T105D / T106D	SETSTOPA01	1	Patin de ajuste / adjustment shoe 40x15x7

RECAMBIOS PEGATINAS / STICKERS SPARE

T101D

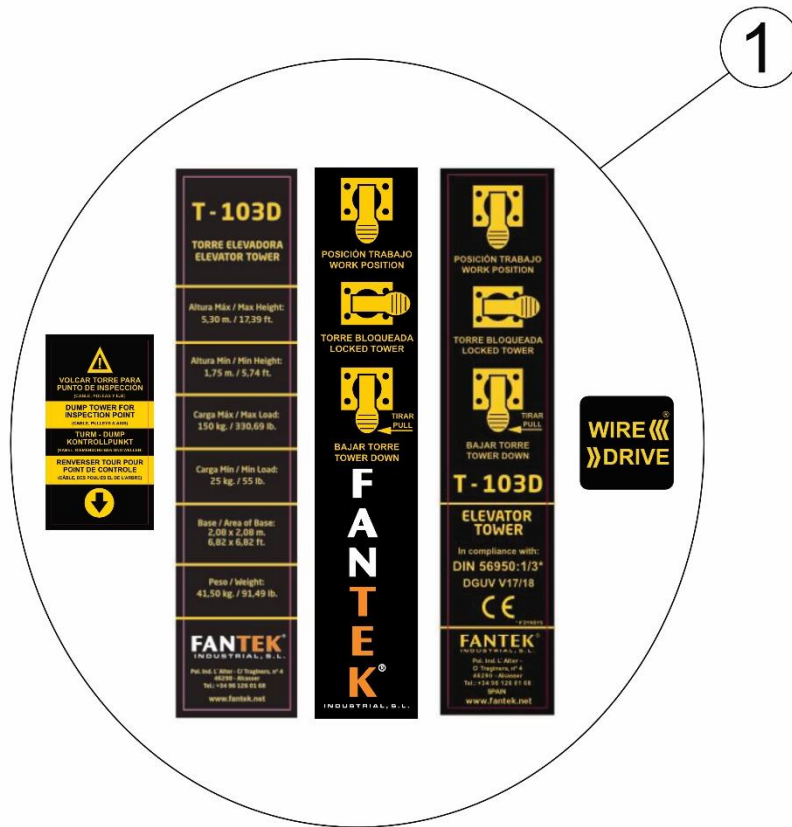


NUM.	MODELO TORRE / TOWER MODEL	REF.	CONTIENE / INCLUDES	
			CANT./QTY	DETALLE / DETAIL
1	T101D	SETSPEMA06	1	Pegatina mosquetón genérica / carabiner sticker
			1	Pegatina características / characteristics sticker
			1	Pegatina Wire Drive / Wire Drive sticker
			1	Pegatina punto inspección / inspection point sticker
			1	Pegatina mosquetón T101D / T101D carabiner sticker

T102D

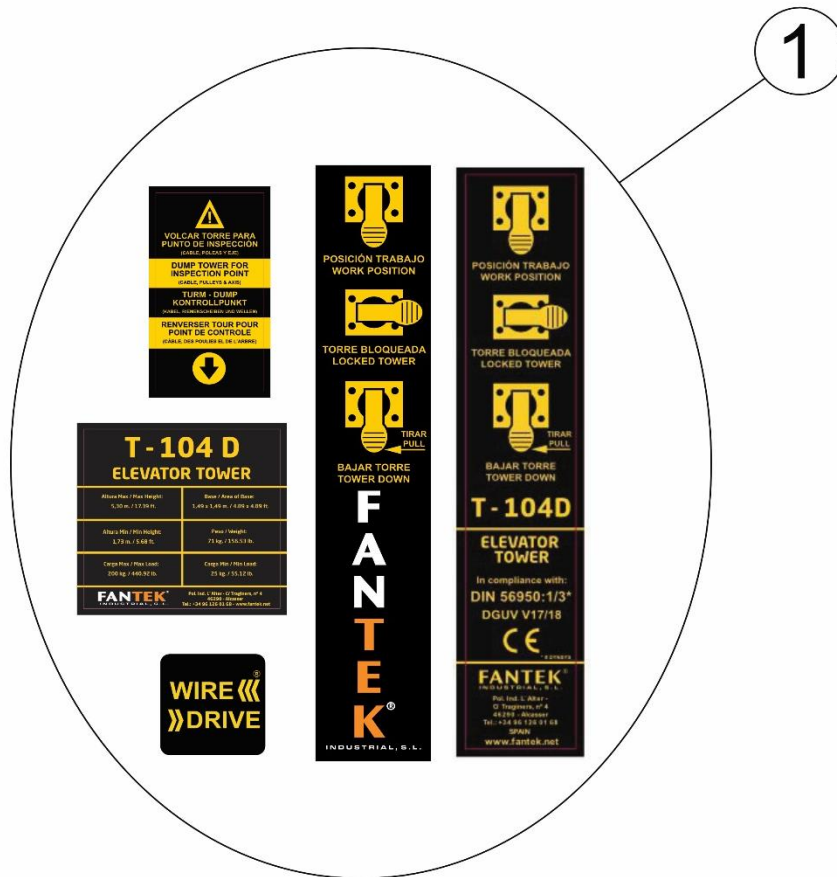


NUM.	MODELO TORRE / TOWER MODEL	REF.	CONTIENE / INCLUDES	
			CANT./QTY	DETALLE / DETAIL
1	T102D	SETSPEMA05	1	Pegatina mosqueton generica / carabiner sticker
			1	Pegatina caracteristicas / characteristics sticker
			1	Pegatina Wire Drive / Wire Drive sticker
			1	Pegatina punto inspeccion / inspection point sticker
			1	Pegatina mosqueton T102D / T102D carabiner sticker



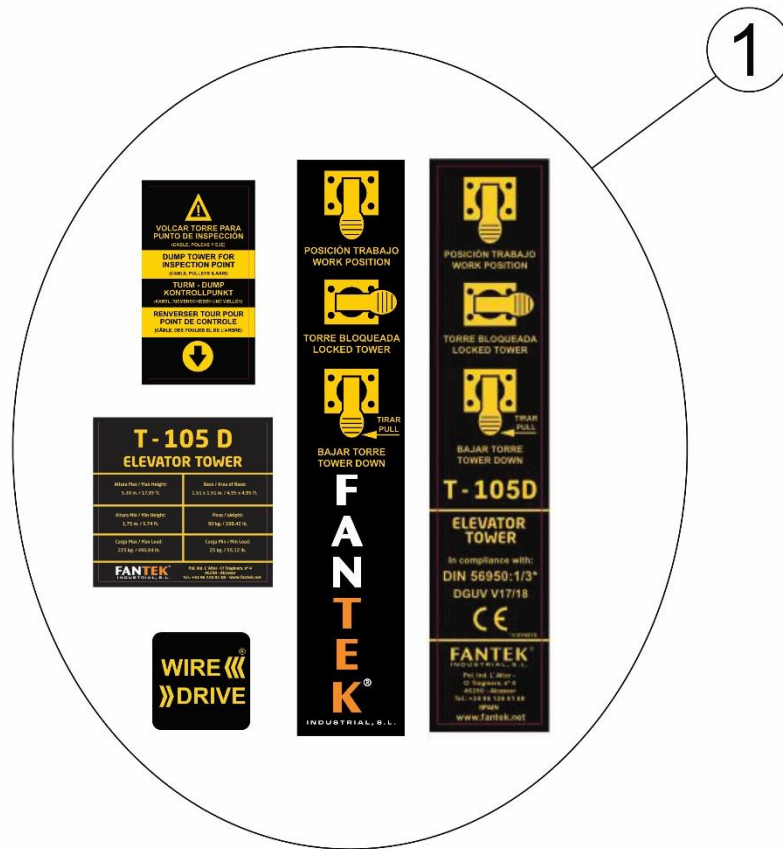
NUM.	MODELO TORRE / TOWER MODEL	REF.	CONTIENE / INCLUDES	
			CANT./QTY	DETALLE / DETAIL
1	T103D	SETSPEMA04	1	Pegatina mosqueton generica / carabiner sticker
			1	Pegatina caractersticas / characteristics sticker
			1	Pegatina Wire Drive / Wire Drive sticker
			1	Pegatina punto inspeccion / inspection point sticker
			1	Pegatina mosqueton T103D / T103D carabiner sticker

T104D



NUM.	MODELO TORRE / TOWER MODEL	REF.	CONTIENE / INCLUDES	
			CANT./QTY	DETALLE / DETAIL
1	T104D	SETPEMA03	1	Pegatina mosquetón genérica / carabiner sticker
			1	Pegatina características / characteristics sticker
			1	Pegatina Wire Drive / Wire Drive sticker
			1	Pegatina punto inspección / inspection point sticker
			1	Pegatina mosquetón T104D / T104D carabiner sticker

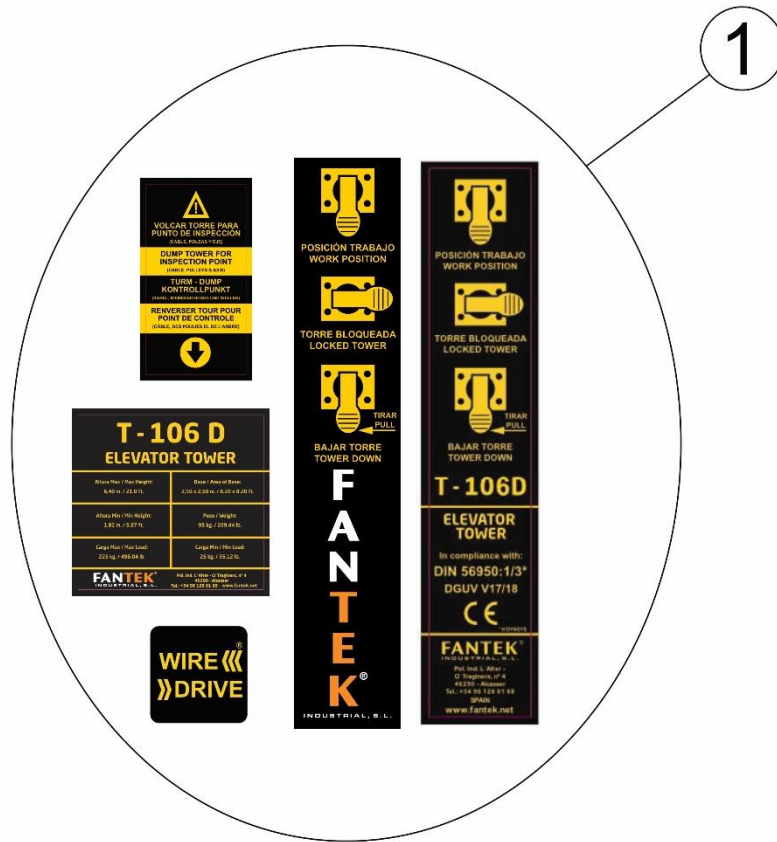
T105D



1

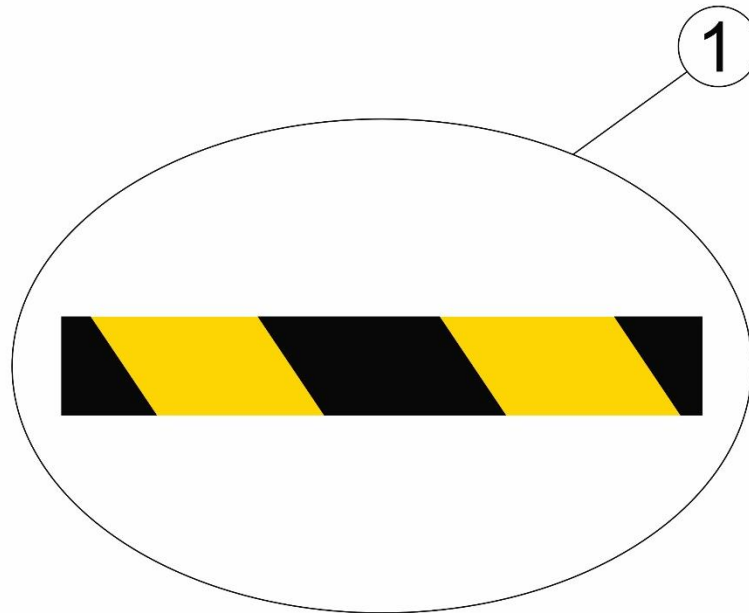
NUM.	MODELO TORRE / TOWER MODEL	REF.	CONTIENE / INCLUDES	
			CANT./QTY	DETALLE / DETAIL
1	T105D	SETSPEMA02	1	Pegatina mosquetón genérica / carabiner sticker
			1	Pegatina características / characteristics sticker
			1	Pegatina Wire Drive / Wire Drive sticker
			1	Pegatina punto inspección / inspection point sticker
			1	Pegatina mosquetón T105D / T105D carabiner sticker

T106D



NUM.	MODELO TORRE / TOWER MODEL	REF.	CONTIENE / INCLUDES	
			CANT./QTY	DETALLE / DETAIL
1	T106D	SETSPEMA01	1	Pegatina mosquetón genérica / carabiner sticker
			1	Pegatina características / characteristics sticker
			1	Pegatina Wire Drive / Wire Drive sticker
			1	Pegatina punto inspección / inspection point sticker
			1	Pegatina mosquetón T106D / T106D carabiner sticker

PEGATINAS PATAS / LEG STICKERS



NUM.	MODELO TORRE / TOWER MODEL	REF.	CONTIENE / INCLUDES	
			CANT./QTY	DETALLE / DETAIL
1	T102D / T103D / T104D / T105D / T106D	SETSPEPA01	2	Pegatinas patas / legs stickers

FANTEK[®]
INDUSTRIAL, S.L.

Calle Traginers, 4 - Pol. Ind. L'Alter
46290 - Alcasser (Valencia) Spain

www.fantek.net • info@fantek.net