

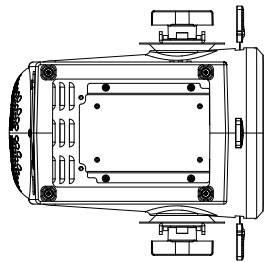
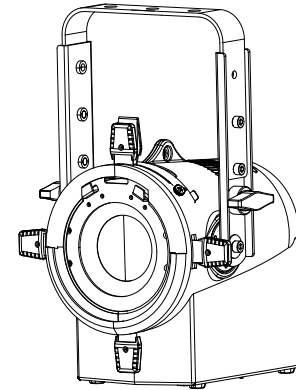
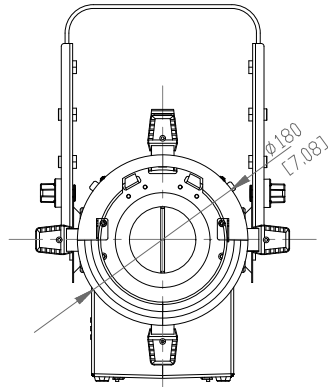
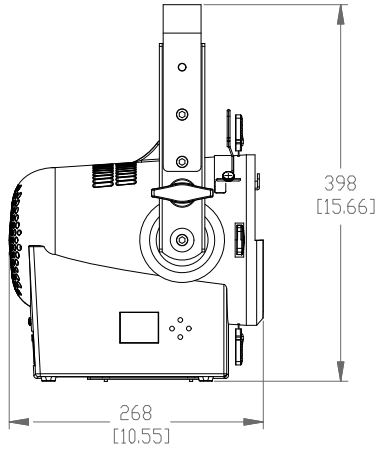
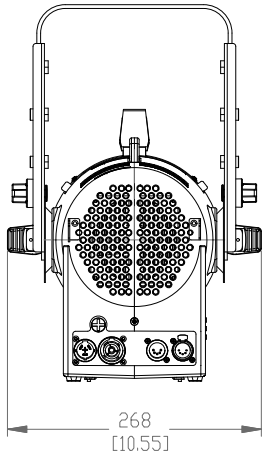
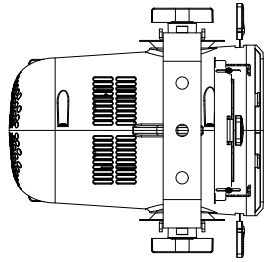
4

3

2

1

REV		EC #	DESCRIPTION	DATE	APPD
A			INITIAL RELEASE		



D

C

B

A

D

C

B

A

4

3

2

1

<b>Strand Lighting</b>			
NEXT ASSY	TOLERANCE TABLE	N/A	STRAND ENTERTAINMENT LIGHTING 10911 PETAL ST., DALLAS, TX 75238
NOTICE: INFORMATION AND DESIGN DISCLOSED ON THIS DOCUMENT ARE CONSIDERED PROPRIETARY AND SHALL NOT BE REPRODUCED OR DISCLOSED WITHOUT WRITTEN CONSENT. STRAND ENTERTAINMENT LIGHTING ALL RIGHTS RESERVED.	MATERIAL	FINISH	DRAWN BY MATERIALS, PARTS AND PRODUCTS MUST COMPLY WITH THE ENVIRONMENTAL REQUIREMENTS OF PPA (GREENING). ALL DIMENSIONS ARE IN INCHES UNLESS NOTED OTHERWISE. REMOVE ALL BURRS AND SHARP EDGES.
	SIZE    REVISION    DRAWING NUMBER D        A		SCALE: N.T.S.    AUTOCAD LT 2017    SHEET 1 OF 1
	PLE		