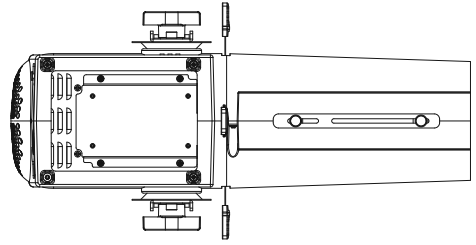
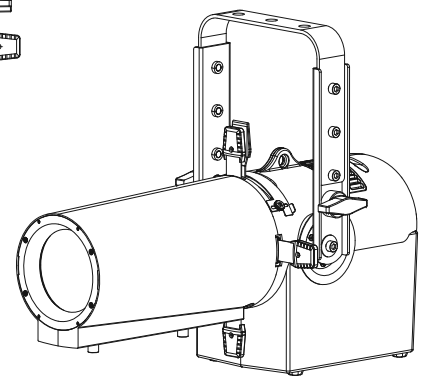
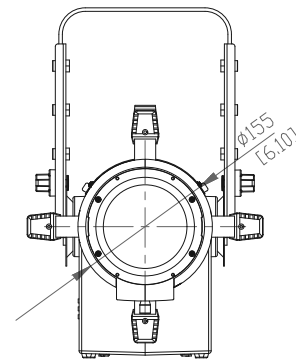
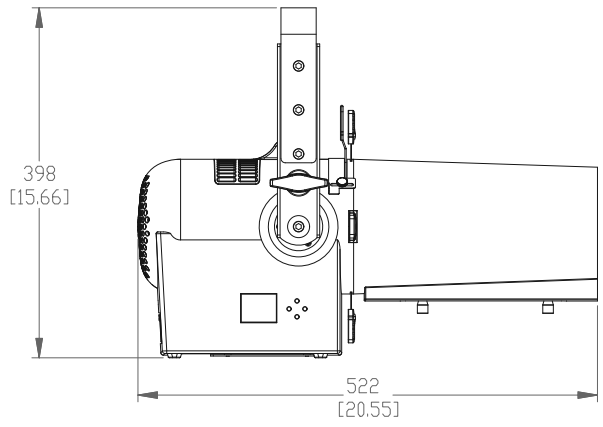
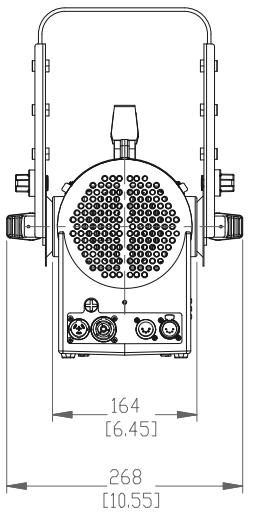
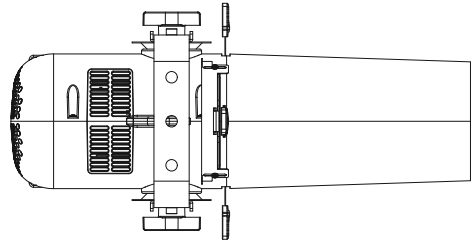


REVISIONS				
REV	EC #	DESCRIPTION	DATE	APPD
A		ANITIAL RELEASE		



NEXT ASSY		TOLERANCE TABLE	N/A	Strand Lighting STRAND ENTERTAINMENT LIGHTING 10911 PETAL ST., DALLAS, TX 75238		
NOTICE: INFORMATION AND DESIGN DISCLOSED ON THIS DOCUMENT ARE CONSIDERED PROPRIETARY AND SHALL NOT BE REPRODUCED OR DISCLOSED WITHOUT WRITTEN CONSENT. STRAND ENTERTAINMENT LIGHTING ALL RIGHTS RESERVED.		MATERIAL		DSN BY DRN BY MATERIALS, PARTS AND PRODUCTS MUST COMPLY WITH THE ENVIRONMENTAL REQUIREMENTS IF D/A 12/28/09/09		ZOOMSPOT SIZE REVISION DRAWING NUMBER D A
		FINISH		ALL DIMENSIONS ARE IN INCHES UNLESS NOTED OTHERWISE, REMOVE ALL BURRS AND SHARP EDGES.		SCALE: N.T.S. AUTOCAD LT 2017 SHEET 1 OF 1