

# VL2600 WASH

Date: \_\_\_\_\_  
Type: \_\_\_\_\_  
Firm: \_\_\_\_\_  
Name: \_\_\_\_\_  
Project: \_\_\_\_\_

The VL2600 Wash is designed with top-class performance and cost-effective ownership in mind. It produces 22,000 lumens of high color temperature, high contrast light output from its state-of-the-art 550 W light engine, with a class-leading zoom range of 12-63°. The VL2600 Wash includes an internal, beam-shaping framing system and has an adjustable beam edge feature (PC or Fresnel). It also expands on the color range of the VL2500, offering a broader choice of saturated colors whilst maintaining the familiar Vari-Lite color pallet from a CMY color system with variable CTO adjustment, plus a 7-color fixed wheel. Compact, lightweight, fast and accurate, the VL2600 Wash is engineered to be easy to use, prep and maintain. The VL2600 Wash is one of three luminaires designed as the LED generation update for the popular VL2500 Series. A full system lighting solution with dedicated Spot, Wash and Profile fixtures, the VL2600 range combines Vari-Lite quality and performance with the latest LED technology, all engineered to deliver the best possible package to the mid-sized show lighting segment.



- Lower power consumption – approx. 820 W (550 W LED engine).
- High output – 22,000 lumens.
- High color temperature – 7200 K.
- Good color rendering.
- Wide zoom range – 12° to 63°.
- Color mixing – CMY and variable CTO.
- Fixed color wheel (7 + open).
- Adjustable beam edge – PC to Fresnel.
- Beam-shaping framing system.
- Compact design.
- Fast and accurate movement (FP=3s, FT=2s).

For detailed product information, please refer to [www.vari-lite.com/global/products/vl2600-wash](http://www.vari-lite.com/global/products/vl2600-wash)



VARI\*LITE

# Specifications

Due to continuous improvements and innovations, specifications may change without notice.

## Source

ESE LED System	Monochromatic Light Engine
Source Max Power Consumption	550 W
Source Lumens	36,000
Source CCT	8000 K
LED Refresh Rate	500Hz to 25KHz
Dimming	Electronic 16-bit
Dimmer Curves	Square Law (Default), Linear, S -Curve
Dimmer Control Option	Dimmer Snap On/Off On reduces auto dimmer smoothing
Strobe	Electronic
Strobe Modes	Continuous, Random, Random Sync

## Optical Performance

Zoom Range	12 - 63°
Zoom Control	Motorized 16-Bit
Output Lumens	Standard - 22,000
Default Output Color Temperature	7200 K
CRI RA	84
Tm30	Rf 80 / Rg 94
Focus	Motorized 16-Bit Control

## Color System

Subtractive Color Mixing	CMY Glass Flags
Color Mixing Control	CMY 8-bit
Variable CTO	7200 to 3200 K
Fixed Color Wheel	7 Colors + Open
Color Wheel Effects	Split Colors, Color Wheel Spin, and Shake

## Imaging

Beam Softening	PC to Fresnel
Beam Shaping	4 Blade - Full Wipe +/-90° rotation

## Electrical

Output Power Consumption	820 W
Power Connection	Neutrik TrueOne - Power in only Power cable not included - input connector only
Input Voltage	100-240 VAC, 50 / 60 Hz

## Data

Supported Protocols	DMX (RDM), ArtNet 5 - PIN XLR Input & Thru, RJ45 Input
DMX Modes	
16-Bit Enhanced	32 Channels
16-Bit	29 Channels
Manual Mode	On Board local Control

## Noise Level / Fan Control (Base Level 30 dB)

Standard Mode	48.5 dB
Studio Mode	43 dB
Silent Mode (UI Activation Only)	31 dB
Fan Mode	Continuous (On) / Auto Ramping
Fan Level Preset	Standard / Studio / Silent* (*UI Only)
Cooling System Type	Forced Air
Advance Fan/Noise Control	SmartFan Control User Definable Variable Speed Fan Control by DMX

## Movement

Pan Angle	540°
Pan Speed	3.4 s
Tilt Angle	270°
Tilt Speed	2.5 s

## Mounting

Hanging Type	VL rails
Hanging Centers	600 mm (24.0 in)
Fixture mounting/Hanging orientation	Hanging - Floor - Side Side hang mode
Secondary Safety Wire Point	1 x Safety point located on underside of upper enclosure Safety Wire not included

## Certification and Safety

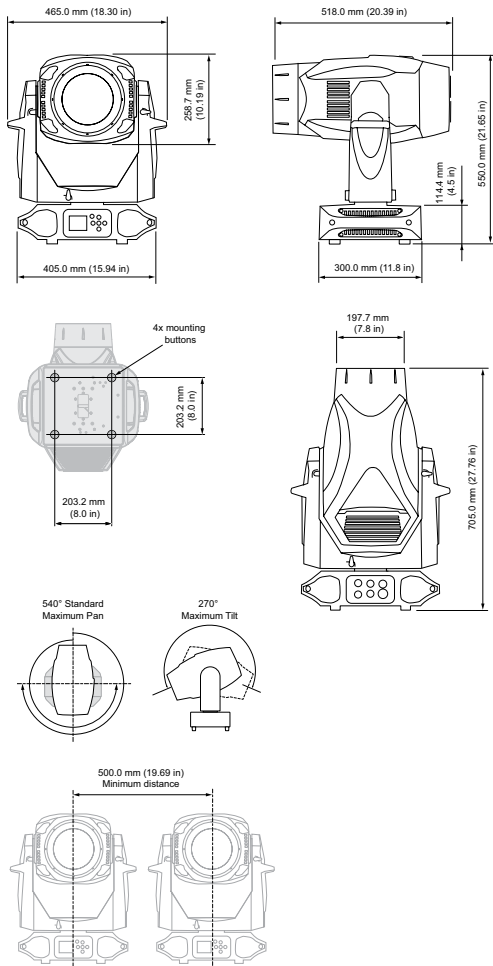
Approbations	CE, ETL, UL, FCC CSA, RoHS, ISO 9001
IP Rating	IP20

## Photometrics and IES Files

7° Beam @ 5 m / 16.4 ft	37,137 lux (3,450 fc)
48° Beam @ 5 m / 16.4 ft	9,284 lux (863 fc)
7° Beam @ 10 m / 32.8 ft	1,789 lux (863 fc)
48° Beam @ 10 m / 32.8 ft	447 lux (42 fc)

For IES files and photometric reports, please refer to the product page: [www.vari-lite.com/global/products/vl2600-wash](http://www.vari-lite.com/global/products/vl2600-wash)

# Dimensions



## Physical

Construction	Metal frame, Plastic covers
Standard Finish	Black, White
Dimensions	300 x 464 x 705 mm (12.0 x 18.0 x 29.0 in)
Fixture Weight	30.0 kg (67.0 lb)
Operating Temperature	-10-45°C (4-113°F)

# Luminaire and Accessories

<b>Product type</b>	<b>Order Code</b>
VL2600 WASH, Black	88-105-7340-00
VL2600 WASH, 550w Monochromatic Light Engine , c/w 2 x VL Rails and power input connector, Black	
VL2600 WASH, White	88-105-7340-10
VL2600 WASH, 550w Monochromatic Light Engine , c/w 2 x VL Rails and power input connector, White	
<b>Accessories</b>	
GT Truss Rail	22.9708.0835
VL Hanging Rail, 1 x GT Truss drop rail, c/w VL1600, VL4000, VL2600, VLZ series and VL10,	

**VARI\*LITE**