

# VL6500 WASH

Date: \_\_\_\_\_  
Type: \_\_\_\_\_  
Firm: \_\_\_\_\_  
Name: \_\_\_\_\_  
Project: \_\_\_\_\_

The VL6500 WASH takes the big picture appeal and stand-out power of the VL6000 Beam and adds full color mixing and a versatile 6-16° beam diffusion. The most distinctive aspect of this fixture is Vari-Lite's iconic Dichro\*fusion® radial diffusion system. The distinctive blades bring back a classic look that has been beloved lighting professionals since the days of the legendary VL5 and Series 500 luminaires. With its CYM+CTO system and fixed color wheels, the VL6500 WASH combines dynamic color effects and crossfades with a broad beam spread, high output and head-turning heritage. From narrow shafts to wide area washes, the VL6500 WASH delivers powerful visual impact—all in glorious Vari-Lite color.



- 50,000+ lumen output wash fixture – high-output wash of a large area with a single fixture from further away.
- Matching large aperture and color control presets as the VL6000 BEAM – get a consistent visual experience when both fixtures are used together.
- Dichro\*fusion® blades with variable beam width – vintage styling reminiscent of the legendary VL5. Strong visual element on stage that radiates the beautiful colors created by the VL6500's innovative color system.
- Color control system with 2 static color wheels and full CYM and CTO color mixing – variable color mixing with saturation control, offering numerous vivid and creative color options.
- Extended color range mode – optional color range mode with 0% – 100% – 0% saturation range that moves beyond full saturation back to open. Offers ability to easily create split colors in the beam for creative color effects, both in air and on the Dichro\*fusion blades.

For detailed product information, please refer to [www.vari-lite.com/global/products/vl6500-wash](http://www.vari-lite.com/global/products/vl6500-wash)



VARI\***LITE**

# Specifications

Due to continuous improvements and innovations, specifications may change without notice.

## Source

LAMP	PHILIPS MSR Gold PGJX50
Source Max Power Consumption	1,500 W
Source CCT	6500 K / 7000 K, depending on lamp
Dimming	Mechanical glass Wheel
Dimmer Curves	Square Law (Default), Linear, S -Curve
Dimmer Control Option	Dimmer Snap On/Off On Increases speed of mechanical shutter override of glass dimmer
Strobe	Mechanical
Strobe Modes	Continous, Random, Random Sync

## Optical Performance

Beam Angle	6 - 30° (diffusion)
Output Lumens	50,000
Default Output Color Temperature	6300 or 7000 K
CRI RA	84

## Color System

Subtractive Color Mixing	CMY Glass Wheels
Color Mixing Control	CMY 8-bit
Color Mixing Control Option 1	Color Snap On/Off Reverse spin color wheel for fast color snap 0-100%
Color Mixing Control Option 2	Extended Color Wheel Control
Variable CTO	6500/7000 to 3200 K
Color Wheel 1	6 Color + Open
Color Wheel 2	6 Color + Open

## Electrical

Output Power Consumption	2,140 W
Power Connection	Neutrik TrueOne - Power in only Power cable not included - input connector only
Input Voltage	200-240 VAC, 50 / 60 Hz

## Data

Supported Protocols	DMX512-A (RDM) 5 - Pin XLR Input and Thru, USB (Diagnostics - Firmware)
DMX Modes	
16-Bit	20 Channels

## Noise Level / Fan Control

Cooling System Type	Forced Air
---------------------	------------

## Movement

Pan Angle	540°
Pan Speed	3 s
Tilt Angle	208°
Tilt Speed	3 s

## Mounting

Hanging Type	VL rails
Hanging Centers	711 mm (28.0 in)
Fixture mounting/Hanging orientation	Hanging - Floor - Side (Side hang mode) Side hang mode
Secondary Safety Wire Point	1 x Safety point located on underside of upper enclosure Safety Wire not included

## Certification and Safety

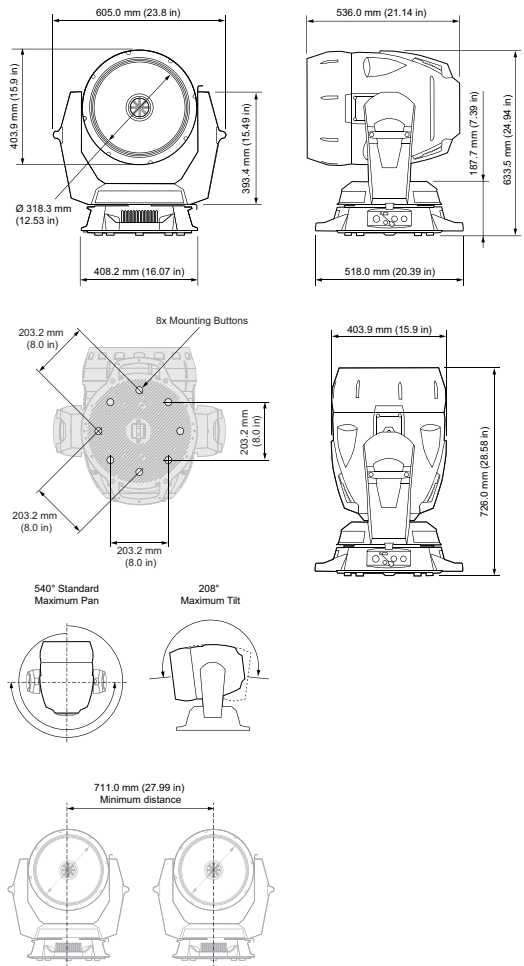
Approbations	CE, ETL, UL, FCC CSA, RoHS, ISO 9001
IP Rating	IP20

## Photometrics and IES Files

Narrow @ 5 m / 16.4 ft	176,140 lux (16,363 fc)
Wide @ 5 m / 16.4 ft	12,700 lux (1,179 fc)
Narrow @ 10 m / 32.8 ft	44,025 lux (4,090 fc)
Wide @ 10 m / 32.8 ft	3,175 lux (295 fc)

For IES files and photometric reports, please refer to the product page: [www.vari-lite.com/global/products/vl6500-wash](http://www.vari-lite.com/global/products/vl6500-wash)

# Dimensions



## Physical

Construction	Metal frame, Plastic covers
Standard Finish	Black
Dimensions	605 x 726 x 536 mm (24.0 x 29.0 x 21.0 in)
Fixture Weight	30.0 kg (66.0 lb)

# Luminaire and Accessories

---

**Product type****Order Code**

VL6500 WASH

20.9708.4001

VL6500 WASH, 1500w Short arc lamp, c/w 2 x VL Rails and power input connector, Black

---

**Accessories**

GT Truss Rail

22.9708.0835

VL Hanging Rail, 1 x GT Truss drop rail, c/w VL1600, VL4000, VL2600, VLZ series and VL10,

---

The logo for Vari-Lite, featuring the word "VARI\*RITE" in a stylized, outlined font. The asterisk is a multi-pointed star shape.

© 2022 Signify Holding. All rights reserved. All trademarks are owned by Signify Holding or their respective owners. The information provided herein is subject to change, without notice. Signify does not give any representation or warranty as to the accuracy or completeness of the information included herein and shall not be liable for any action in reliance thereon. The information presented in this document is not intended as any commercial offer and does not form part of any quotation or contract, unless otherwise agreed by Signify. Data subject to change.

**Vari-Lite**[www.vari-lite.com/global/products/vl6500-wash](http://www.vari-lite.com/global/products/vl6500-wash)